**Heavy duty bearingless encoder**

- Magnetic scanning
- ClampFit
- Light-weight aluminium
- Separated ring segments for simplified commissioning

**Mechanical data**

Operating temperature	-40 °C...80 °C
Ingress protection class [IEC 60529]	IP67
Vibration [IEC 60068-2-64]	≤ 200 m/s ²
Shock [IEC 60068-2-27]	≤ 1500 m/s ²
Rotational speed max	732 rpm
Min. speed for rated accuracy	42 rpm
Scanning axial tolerance	± 4 mm
Scanning radial tolerance	0,1-3 mm (Nominal 1 mm)
Fastening type	ClampFIT
Number of segments	2
Ring dimension	Inner ø 370,00 mm ; Outer ø 444,40 mm
Pin Layout	Counter clockwise
Mounting bracket	Yes

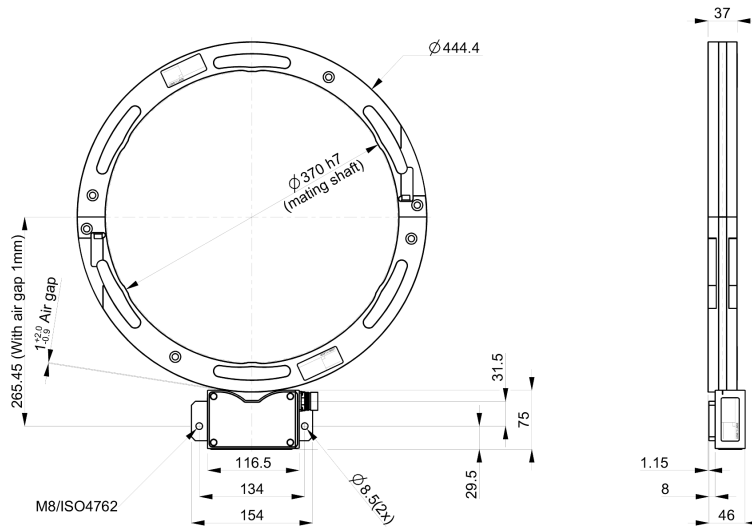
Encoder configuration

Code key	230215138
Type	MRI
Model	2302
Resolution	8192 ppr
Power supply	9-30 Vdc
Output signal	High Current HTL (HCHTL)
Connection type	M23 connector 12-pin
Number of channels	6 (S00, S00\, S90, S90\, Sref, Sref\)

Electrical data

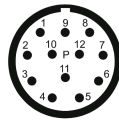
Polarity protected	Yes
Short circuit protected outputs	Yes
Current consumption (No load)	60 mA at 24 Vdc (Max. 80 mA)
Incremental output load (max)	± 40 mA
Output frequency max	100 KHz
Cable length max	350 m at 100 kHz
Number of channels	6 (S00, S00\, S90, S90\, Sref, Sref\)

Dimensions

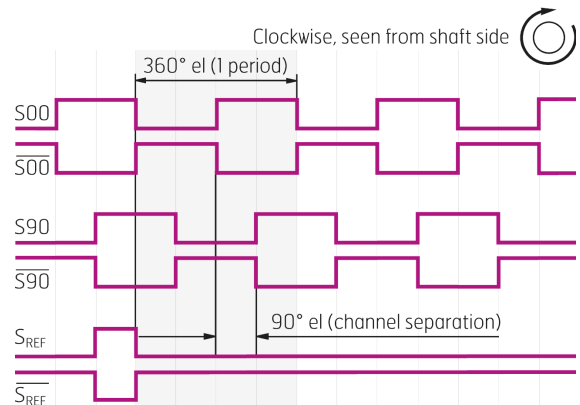


Pin Configuration

Function	Pin
+E Volt	12
GND	10
Sref	3
Sref Inverted	4
S90	8
S90 Inverted	1
S00	5
S00 Inverted	6



Output signal



Order information

Part number	1195001-01
-------------	------------