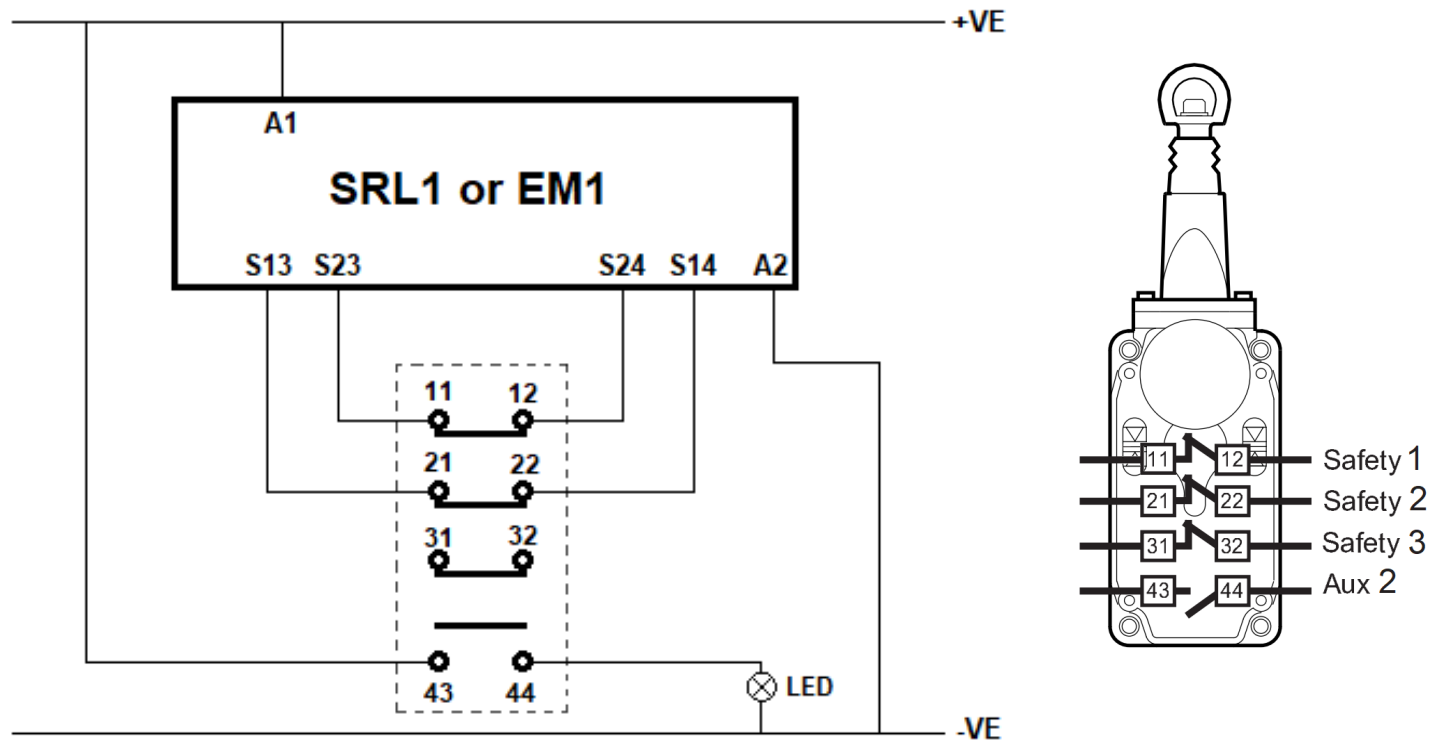
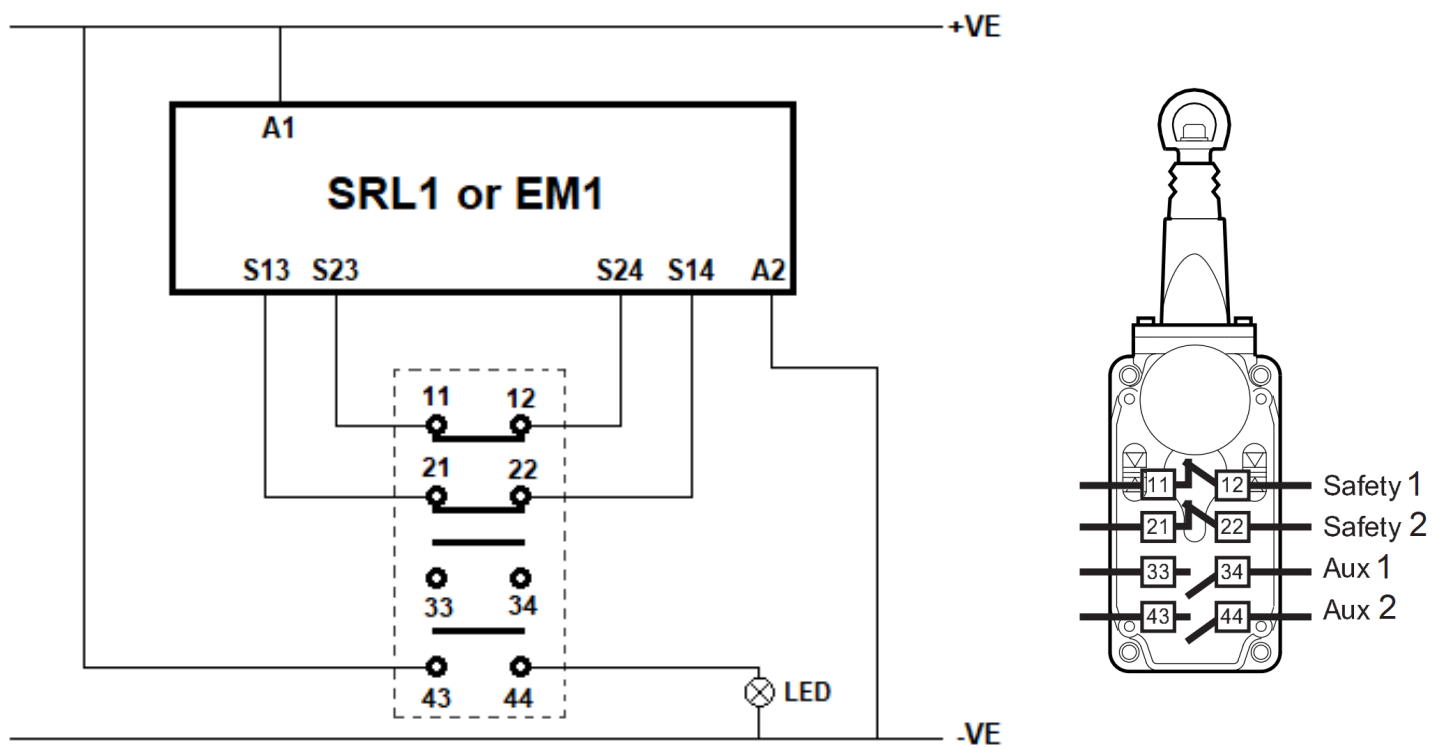


Standard Connection

Typical connection for SL4 3 NC & 1 NO with Mechan safety relay



Typical connection for SL4 2 NC & 2 NO with Mechan safety relay



Product Selection

SL4 - E - 2 2 - 20M

Housing Shape
SafeLine4

Housing Material
E With E|Stop
Blank Without E|Stop

Safety Channels
2 2 N/C
3 3 N/C

Auxiliary Channels
1 1 N/O
2 2 N/O

Connection Type
05M 05M SL4 installation Kit (16.4ft)
10M 10M SL4 installation Kit (32.8ft)
15M 15M SL4 installation Kit (49.2ft)
20M 20M SL4 installation Kit (65.6ft)
30M 30M SL4 installation Kit (98.4ft)
50M 50M SL4 installation Kit (164ft)
75M 75M SL4 installation Kit (246ft)

Stock Code	Part Description	Inputs	Outputs	Connection
	SL4-E-22-05M	2	2	05M SL4 installation Kit (16.4ft)
	SL4-E-22-10M	2	2	10M SL4 installation Kit (32.8ft)
	SL4-E-22-15M	2	2	15M SL4 installation Kit (49.2ft)
	SL4-E-22-20M	2	2	20M SL4 installation Kit (65.6ft)
	SL4-E-22-30M	2	2	30M SL4 installation Kit (98.4ft)
	SL4-E-22-50M	2	2	50M SL4 installation Kit (164ft)
	SL4-E-22-75M	2	2	75M SL4 installation Kit (246ft)
	SL4-E-31-05M	3	1	05M SL4 installation Kit (16.4ft)
	SL4-E-31-10M	3	1	10M SL4 installation Kit (32.8ft)
	SL4-E-31-15M	3	1	15M SL4 installation Kit (49.2ft)
	SL4-E-31-20M	3	1	20M SL4 installation Kit (65.6ft)
	SL4-E-31-30M	3	1	30M SL4 installation Kit (98.4ft)
	SL4-E-31-50M	3	1	50M SL4 installation Kit (164ft)
	SL4-E-31-75M	3	1	75M SL4 installation Kit (246ft)

About Mechan Controls

Mechan Controls designs and manufactures non-contact safety switches, solenoid locking switches, safety relays and type 4 light curtains, grab wires, control stations and key exchange systems for machine guarding applications.

Based in the UK, Mechan Controls produced its first electronic RFID safety switch in 1972, and subsequently, it has developed an enviable reputation as the industry leader. Today, tens of thousands of applications worldwide attest to the outstanding reliability of Mechan safety switches and safety interlock systems.



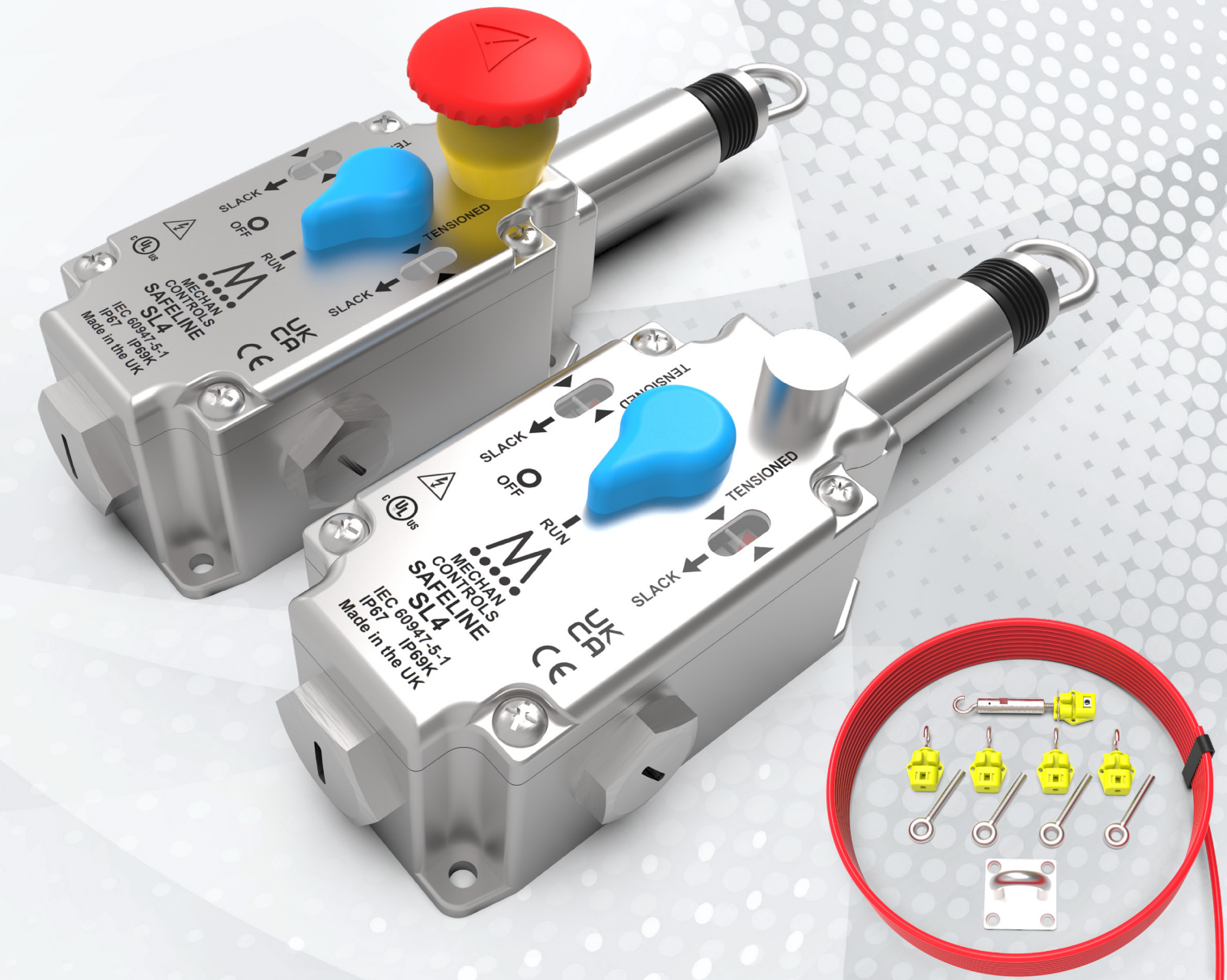
© 2023 Copyright of Mechan Controls LTD

M MECHAN CONTROLS

Drives
POWERED BY COLTERLEC



M MECHAN CONTROLS



Product Brochure

SafeLine 4 Grab Wire
Rope pull switch

Drives
POWERED BY COLTERLEC

For more information
Call 0800 367 229 | sales@colterlec.co.nz | www.colterlec.co.nz

Machine Safety for People and Productivity

Features and Benefits



Introduction

The SafeLine4 grabwire is a cable/E|Stop button operated system that can be installed where no physical guarding is present on conveyors, providing constant emergency stop access. This SafeLine 4 is made from 316 stainless steel and is suitable for external use, applications where there are hygiene requirements and other situations where a level of corrosion proof is required.

Positive Mode Mechanism

The positive mode mechanism helps ensure that the contacts are immediately latched open on actuation and can only be reset by the intentional action of turning the blue reset switch. The design also protects against nuisance tripping and the effects of thermal expansion.

Technical Specifications

Technology	Mechanical			
Electrical				
Safety Contacts	2 NC + 2 NO or 3 NC + 1 NO			
Rated Insulation Voltage (Ui)	500V			
Withstand Voltage	2500V			
Switching Current @ Voltage, Min	5mA @ 5V DC			
Rating	Utilisation Category: AC15			
Operational Rating	AC15 A300 240V. 3A / 120V 6A ac 24V. 2.5A dc inductive			
Thermal Current	10A			
Operating Life @100mA load	1 x 10 ⁶			
Operating Characteristics				
Cable Span Between Switches, Max	75m (246 ft)			
Tension Force To Run Position	103N			
Tensioning For To Lockout	188N			
Operating Force, Min	<125N @ 300mm Deflection			
Actuation Frequency, Max	1 Cycle/s			
General Information				
Construction	316 Stainless Steel			
IP Rating	IP67 / IP69K			
Operating Temperature	-25°C to +80°C			
Fixing	4 X M5 Security Screws			
Connection	Contact Block			
Indication Material	Acetal			
Weight	1.55kg			
Colour	316 Stainless Steel			
Mechanical Data				
Conduit entries	3 x M20			
Torque settings	Mounting M5 4.0 Nm, Terminals 1.0 Nm			
Vibration resistance	10-500Hz 0.35mm			
Shock resistance	15g 11ms			
Utilization Category				
A600/AC-15 (Ue)	600V	500V	240V	120V
(Ie)	1.2A	1.4A	3A	6A
DC-13 (Ue)	24V			
(Ie)	2A			

Quality marks:



In compliance with standards:

IEC 60947-5-5, ISO 13850, IEC 60947-5-1, ISO 12100:2010

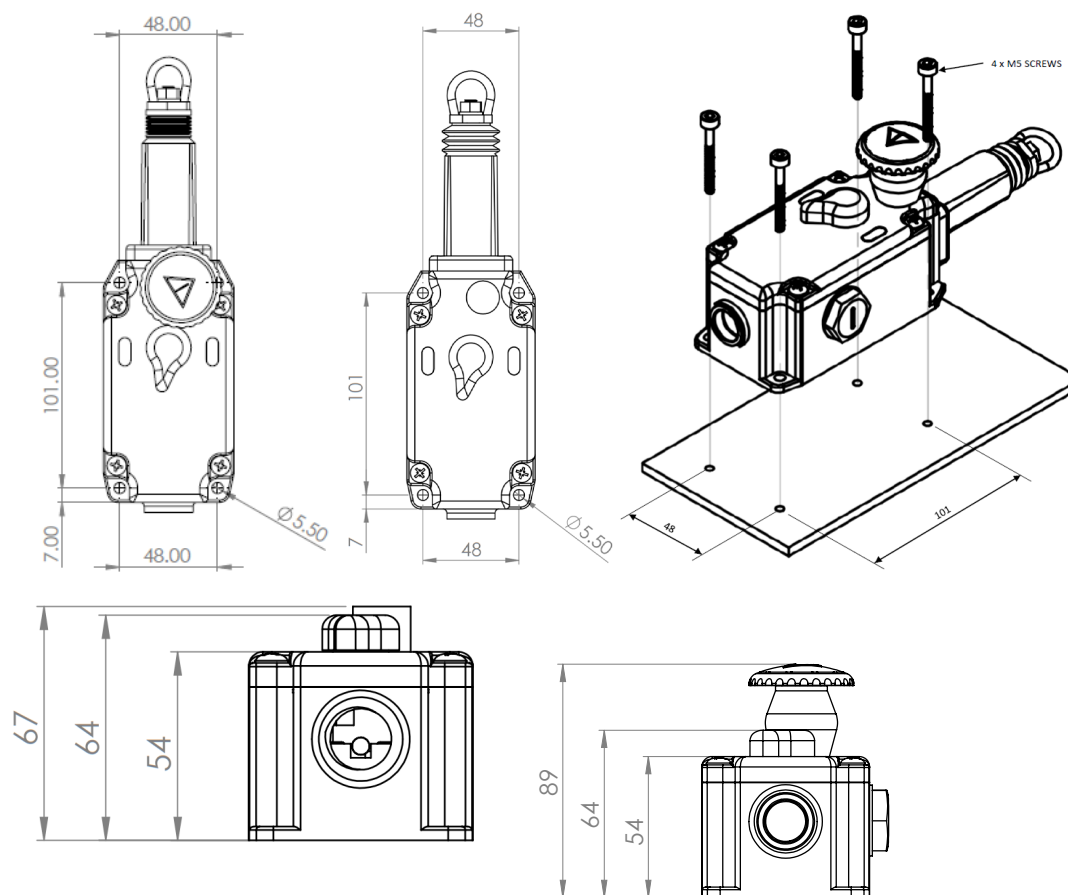
Emergency Stop Device In Accordance With ISO 13850

IEC 13849-1

Meets the requirements of:

Machinery Directive 2006/42/EC, EMC Directive 2014/30/EU, Low Voltage Directive 2014/35/EU, RoHS Directive 2011/65/EC

Dimensions



***All dimensions are in MM**

Accessories Kit

Tension Turn Buckle

The Tensioner Turn Buckle is a very simple device that is ideally situated within the middle or the Beginning of the Rope span, it is then turned to tension the SafeLine 4 grab wire to the correct tension to operate.



Grip Hook

Moulded in Acetal, the grip hook has replaced bolt clamps that standard tension kits use. The grip hook is a simple yet very effective device that allows the safety cable to stay in position when tensioned, without the fear of slipping.



Eyebolt

The eyebolt cast in 316 stainless steel and an M8 thread is a simple way of holding the safety cable in position over long lengths of conveyor.



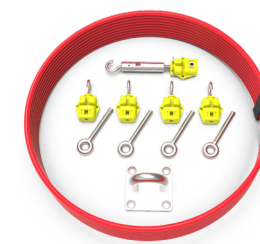
Anchor Plate

The anchor plate is used to secure the end grip hook to a position at the end of the conveyor belt. This is manufactured in 316 stainless steel and is robust to endure its day to day usage.



Steel Rope

The polypropylene covered steel rope will span the full length of the conveyor that is being guarded. When an emergency occurs, this rope will be pulled to stop the machine. The rope can be supplied in lengths from 5 meter - 75 meters.

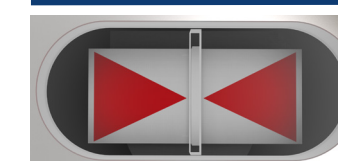


Emergency Stop Button

The SafeLine4 comes with an optional emergency stop button for applications that require an E|stop.

NEW

Tensioning Screen



There are 2 tensioning screens to allow the user to see if the SafeLine 4 is correctly tensioned from multiple angles.

Emergency Stop Button

For situations where an E|Stop would cause nuisance tripping, the SafeLine4 has an option without an E|Stop.

Reset Switch

Once the SafeLine4 is tensioned correctly, the reset switch must be turned into the "RUN" position to allow the machine to be started.

IP Rated



Tested and approved to IP67, IP69K suitable for strict wash down environments.

Security

The SafeLine lid is fixed with M5 security screws.

3 Cable Entry Points

Designed for the ease of installation, the SafeLine4 has 3 cable entry points.

