

**iDrives**  
POWERED BY COLTERLEC™



# EXCALIBUR

ENCLOSURES

MANUFACTURED BY PHOENIX EMS



NEW  
RANGE OF  
ENCLOSURE  
PRODUCTS

**EXCALIBUR ELECTRICAL  
ENCLOSURES AND ACCESSORIES**  
[www.excaliburenclosures.com.au](http://www.excaliburenclosures.com.au)



## CLASS LEADING ENCLOSURES

Phoenix EMS is a world leader in the manufacture and supply of a diverse range of Electrical Enclosures and value-add solutions for Industry.

All products are designed in-house utilising the latest modelling software and advanced manufacturing techniques using CNC and autonomous machinery including polyurethane gasket machines. Products are manufactured in accordance with ISO9000, AS/NZ4801, ISO4001 to ensure system compliance and world class quality products.

With over 25 years of proven manufacturing capability and a large installed base, Phoenix EMS represents a quality customer choice for both standard and custom enclosure solutions from concept to completion. An extensive distribution network provides national inventory, technical support, customer focus and a partner of trust.

Phoenix EMS a preferred Enclosure Partner of choice



# C O N T E N T S

## STAINLESS STEEL ENCLOSURES



## MILD STEEL ENCLOSURES



## ACCESSORIES



## NON-METALLIC ENCLOSURES



## VENTILATION SYSTEMS & CLIMATE CONTROL



All features and dimensions of products listed in this catalogue are approximate and are subject to change without prior notice.

## STAINLESS STEEL WALL MOUNT

### Features

- IP66
- 316 stainless steel
- Body construction 1.2/1.5mm
- Universal enclosure
- Adjustable inner door kits and escutcheon options
- Concealed stainless steel hinges
- Fully welded construction
- Polyurethane gasket
- 8mm stainless steel square drive spanner lock
- Mounting pan 2mm powder coated white mild steel
- Blind nutsert fasteners
- Stainless steel mounting brackets
- Earth strap kit



### Typical Applications



# STAINLESS STEEL ENCLOSURES

THE PHOENIX RANGE OF 316 STAINLESS STEEL ENCLOSURES ARE DESIGNED TO WITHSTAND THE HARSHTEST ENVIRONMENTS ON THE PLANET.

THEY EXCEL IN MINING AND INDUSTRIAL TYPE APPLICATIONS AND FEATURE FULLY WELDED CONSTRUCTION, CONCEALED HINGES AND OFFER A RANGE OF DIFFERENT SIZES AND ACCESSORIES TO FIT ANY APPLICATION.

### Wall Mount Enclosure Selection Table

Model No.	Height	Dimensions (mm)		Useable Depth
		Width	Depth	
PSX202015	200	200	150	132
PSX302015	300	200	150	132
PSX303015	300	300	150	132
PSX403015	400	300	150	132
PSX403020	400	300	200	182
PSX404020	400	400	200	182
PSX406020	400	600	200	182
PSX504020	500	400	200	182
PSX505020	500	500	200	182
PSX604020	600	400	200	182
PSX604030	600	400	300	282
PSX606020	600	600	200	182
PSX606030	600	600	300	282
PSX806020	800	600	200	182
PSX806030	800	600	300	282
PSX1006030	1000	600	300	282
PSX1008030	1000	800	300	282
PSX1206030	1200	600	300	282
PSX1208040	1200	800	400	382

## STAINLESS STEEL FLANGE MOUNT

### Features

- IP66
- 316 stainless steel
- Body construction 1.5mm
- Universal enclosure
- Adjustable inner door kits and escutcheon options
- Flange mounted
- Concealed stainless steel hinges
- Fully welded construction
- Polyurethane gasket
- 8mm stainless steel square drive spanner lock
- Mounting pan 2mm powder coated white mild steel
- Earth strap kit



### Typical Applications



### Flange Mount Enclosure Selection Table

Model No.	Dimensions (mm)			Useable Depth
	Height	Width	Depth	
PSFM302012	300	200	125	107
PSFM404020	400	400	200	182
PSFM504020	500	400	200	182
PSFM604020	600	400	200	182
PSFM606028	600	600	280	262
PSFM806028	800	600	280	262

## STAINLESS STEEL SLOPED ROOF

### Features

- IP66
- 316 stainless steel
- Body construction 1.5mm
- Sloped roof enclosure
- Universal enclosure
- Adjustable inner door kits and escutcheon options
- Flange mounted
- Concealed stainless steel hinges
- Fully welded construction
- Polyurethane gasket
- 8mm stainless steel square drive spanner lock
- Mounting pan 2mm powder coated white mild steel
- Earth strap kit



### Typical Applications



### Sloped Roof Enclosure Selection Table

Model No.	Dimensions (mm)			Useable Depth
	Height	Width	Depth	
PSSR303020	300	300	200	182
PSSR403020	400	300	200	182
PSSR404020	400	400	200	182
PSSR406025	400	600	250	232
PSSR604025	600	400	250	232
PSSR606025	600	600	250	232
PSSR806025	800	600	250	232
PSSR1006035	1000	600	350	332

## STAINLESS STEEL SLOPED ROOF PLUS (GLAND PLATE)

### Features

- IP66
- 316 stainless steel
- Body construction 1.5mm
- Universal enclosure
- Adjustable inner door kits and escutcheon options
- 2mm stainless steel gland plate
- 30 degree sloped roof / 60mm overhang
- Flange mounted
- Concealed stainless steel hinges
- Fully welded construction
- Polyurethane gasket
- 8mm stainless steel square drive spanner lock
- Mounting pan 2mm powder coated white mild steel
- Earth strap kit

### Options

- RAL2000 orange powder coat (CI)
- Brass and aluminium gland plates



### Typical Applications



### Sloped Roof Plus (Gland Plate) Enclosure Selection Table

Model No.	Dimensions (mm)			Useable Depth
	Height	Width	Depth	
PSSRPP222215	220	220	150	132
PSSRP303015	300	300	150	132
PSSRP303020	300	300	200	182
PSSRP403025	400	300	250	232
PSSRP404025	400	400	250	232
PSSRP406025	400	600	250	232
PSSRP507035	500	700	350	332
PSSRP604025	600	400	250	232
PSSRP604035	600	400	350	332
PSSRP606025	600	600	250	232
PSSRP608025	600	800	250	232
PSSRP806025	800	600	250	232
PSSRP601025	600	1000	250	232
PSSRP601035	600	1000	350	332
PSSRP1007025	1000	700	250	232
PSSRP1208025	1200	800	250	232

## STAINLESS STEEL HEAVY DUTY SLOPED ROOF

### Features

- IP66
- 316 stainless steel
- Body construction 2mm
- Universal enclosure
- Adjustable inner door kits and escutcheon options
- Brass gland plate 3mm
- 30 degree sloped roof / 60mm overhang
- Flange mounted
- Concealed stainless steel hinges
- Fully welded construction
- Polyurethane gasket
- Padlockable swing handle
- Mounting pan 2mm powder coated white mild steel
- Earth strap kit
- RAL2000 orange powder coat

### Options

- Available in stainless steel finish on request (CI)



### Typical Applications



### Heavy Duty Sloped Roof Enclosure Selection Table

Model No.	Dimensions (mm)			Useable Depth
	Height	Width	Depth	
PSSRHD404025	400	400	250	232
PSSRHD705025	700	500	250	232
PSSRHD705035	700	500	350	332
PSSRHD1008025	1000	800	250	232
PSSRHD1008040	1000	800	400	382

## STAINLESS STEEL TERMINAL BOX

### Features

- IP66
- 316 stainless steel
- Body construction 1.5mm
- Flange mounted
- Fully welded construction
- Captive screws
- Polyurethane gasket
- Mounting pan 2mm powder coated white mild
- Earth strap kit



### Typical Applications



### Terminal Box Selection Table

Model No.	Height	Dimensions (mm)		Useable Depth
		Width	Depth	
PSTB111175	110	110	75	65
PSTB151512	150	150	125	115
PSTB151590	150	150	90	80
PSTB201512	200	150	125	115
PSTB201590	200	150	90	80
PSTB202012	200	200	125	115
PSTB202090	200	200	90	80
PSTB302012	300	200	125	115
PSTB302090	300	200	90	80
PSTB303012	300	300	125	115
PSTB402012	400	200	125	115
PSTB403012	400	300	125	115
PSTB503012	500	300	125	115
PSTB504012	500	400	125	115
PSTB604015	600	400	150	140
PSTB806015	800	600	150	140

## STAINLESS STEEL TERMINAL BOX SLOPED ROOF

### Features

- IP66
- 316 stainless steel
- Body construction 1.5mm
- 30 degree sloped roof / 60mm overhang
- Flange mounted
- Fully welded construction
- Captive screws
- Polyurethane gasket
- Lid fastening post screws into stud
- Mounting pan 2mm powder coated white mild steel
- Earth strap kit



### Typical Applications



### Sloped Roof Terminal Box Selection Table

Model No.	Height	Dimensions (mm)		Useable Depth
		Width	Depth	
PSSRTB151512	150	150	125	115
PSSRTB272212	275	220	125	115
PSSRTB342512	340	250	125	115
PSSRTB303012	300	300	125	115



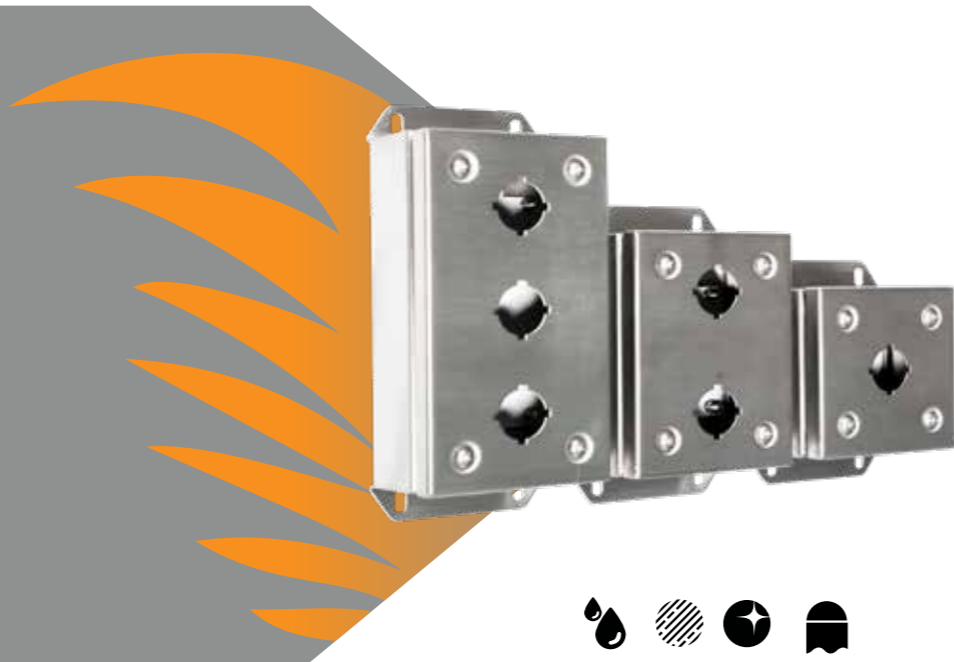
# STAINLESS STEEL PUSH BUTTON STATION

## Features

- IP66
- 316 stainless steel
- Body construction 1.5mm
- Universal enclosure
- Flange mounted
- Fully welded construction
- Captive screws
- Mounting pan 2mm powder coated white mild steel
- Earth strap kit
- 30mm PB holes
- 25mm conduit entry holes

## Options

- 22mm holes (CI)



## Typical Applications



## Push Button Station Selection Table

Model No.	Dimensions (mm)			No Holes (30mm)	No Conduit Entry Holes	Useable Depth
	Height	Width	Depth			
PSPB1	120	120	84	1	1	74
PSPB2	160	120	84	2	2	74
PSPB3	220	120	84	3	2	74
PSPB4	280	120	84	4	2	74
PSPB5	336	120	84	5	2	74
PSPB6	220	180	84	6	2	74
PSPB8	280	180	84	8	2	74
PSPB9	220	240	84	9	2	74

\*Add -22 to model number for 22.5mm push button cutouts (eg. PSPB1-22)

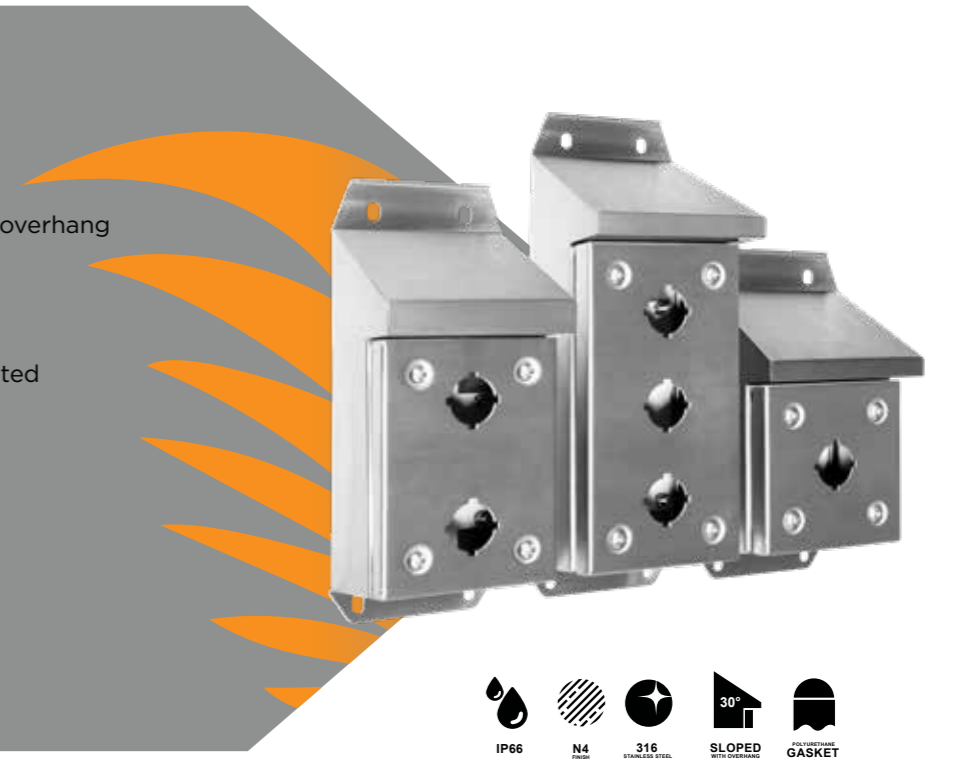
# STAINLESS STEEL PUSH BUTTON STATION SLOPED ROOF

## Features

- IP66
- 316 stainless steel
- Body construction 1.5mm
- 30 degree sloped roof / 60mm overhang
- Flange mounted
- Fully welded construction
- Captive screws
- Mounting pan 2mm powder coated white mild steel
- Earth strap kit
- 30mm PB holes
- 25mm conduit entry holes

## Options

- 22mm holes (CI)
- Cowling (CI)



## Typical Applications



## Push Button Station Sloped Roof Selection Table

Model No.	Dimensions (mm)			No Holes (30mm)	No Conduit Entry Holes	Useable Depth
	Height	Width	Depth			
PSSRPB1	150	150	125	1	1	115
PSSRPB2	275	220	125	2	2	115
PSSRPB3	275	220	125	3	2	115
PSSRPB4	340	250	125	4	2	115
PSSRPB6	300	300	125	6	2	115
PSSRPB8	300	300	125	8	2	115
PSSRPB9	300	300	125	9	2	115

\*Add -22 to model number for 22.5mm push button cutouts (eg. PSSRPB1-22)



## STAINLESS STEEL FLOOR STANDING

### Features

- IP66
- 316 stainless steel
- Body construction 1.5mm
- Universal enclosure
- Adjustable inner door kits and escutcheon options
- Concealed stainless steel hinges
- Fully welded construction
- Polyurethane gasket
- Padlockable 3 point locking system
- 3mm aluminium gland plate
- Stainless steel mounting plinth
- Mounting pan 2mm powder coated white mild steel
- Earth strap kit

### Options

- Door rails (CI)
- Gland plates (CI)
- Vent kits (CI)
- Windows (CI)



## Typical Applications



## Floor Standing Enclosure Selection Table

Model No.	Height	Dimensions (mm)		Useable Depth
		Width	Depth	
PSFS1806030	1800	600	300	282
PSFS1806040	1800	600	400	382
PSFS1808040	1800	800	400	382
PSFS1806050	1800	600	500	482
PSFS1808050	1800	800	500	482
PSFS2006050	2000	600	500	482
PSFS2008040	2000	800	400	382
PSFS2008050	2000	800	500	482



INDUSTRY APPROVED  
**VISIBLE BREAK  
ISOLATORS**  
& LOCAL CONTROL STATIONS

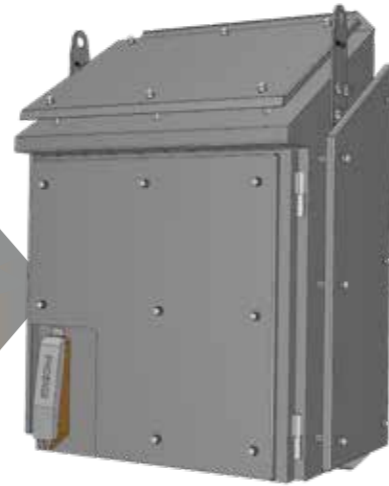


# EXCALIBUR MINING EXTREME SINGLE DOOR



## Features

- 316 stainless steel 1.5mm & 2mm N4 finish
- Fully welded construction
- Panel rated at IP66
- Slotted mounting holes
- Polyurethane pour-in place gaskets
- Multiple sizes available
- Fully welded construction
- 30 degree sloped roof/ 60mm overhang
- Pintle hinges/ removable doors
- Padlockable Swing Handle MS860 series
- Sun shields (both sides/ top/ door)
- Lifting eyes and lugs, door stays (lifting lugs 1T rated)

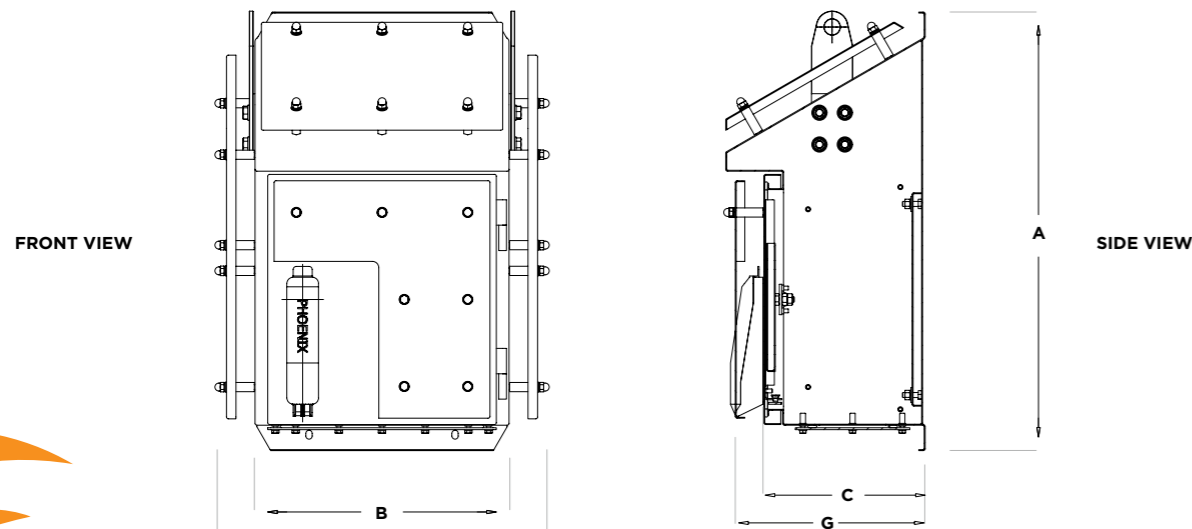


## TYPICAL APPLICATIONS



## EXCALIBUR MINING EXTREME

Model No.		Enclosure Dimensions (mm)			Enclosure + Sun Shield Dimensions (mm)			Useable Depth
1.5mm Construction	2mm Construction	Height A	Width B	Depth C	Height A	Width F	Depth G	
PSMES404025-1	PSMES404025-2	691	400	250	691	490	306	232
PSMES604025-1	PSMES604025-2	891	400	250	891	490	306	232
PSMES606035-1	PSMES606035-2	891	600	350	891	690	407	332
PSMES705025-1	PSMES705025-2	991	500	250	991	590	317	232
PSMES705035-1	PSMES705035-2	1048	500	350	1048	590	417	332
PSMES1008025-1	PSMES1008025-2	1291	800	250	1291	890	317	232
PSMES1008040-1	PSMES1008040-2	1377	800	400	1377	890	467	382



# EXCALIBUR MINING EXTREME STAINLESS DOUBLE DOOR



## Features

- 316 stainless steel 1.5mm & 2mm N4 finish
- Fully welded construction
- Panel rated at IP66
- Slotted mounting holes
- Polyurethane pour-in place gaskets
- Multiple sizes available
- Fully welded construction
- 30 degree sloped roof/ 60mm overhang
- Pintle hinges/ removable doors
- Padlockable Swing Handle MS860 series
- Sun shields (both sides/ top/ door)
- Lifting eyes and lugs, door stays (lifting lugs 1T rated)

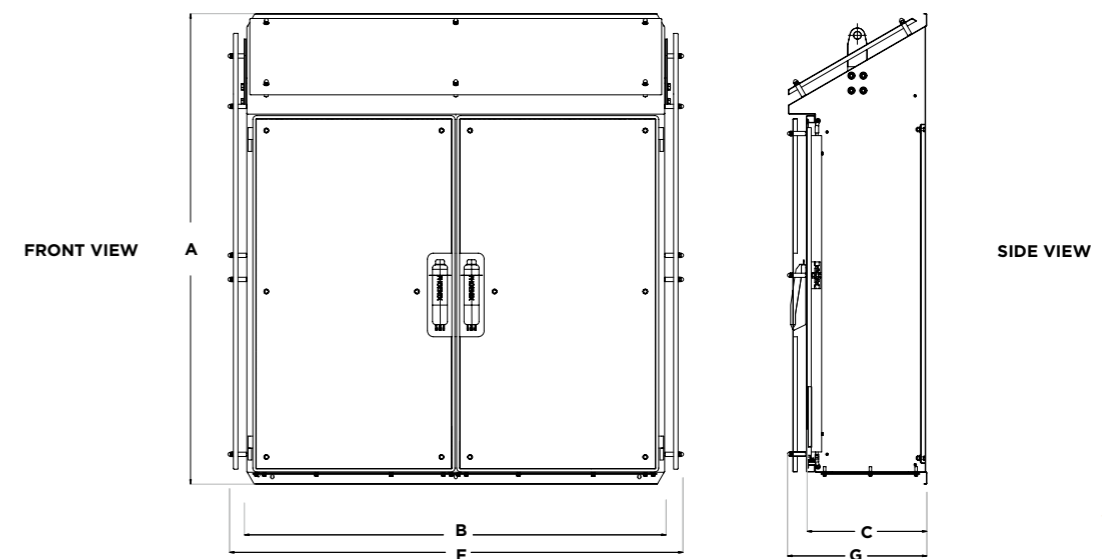


## TYPICAL APPLICATIONS



## EXCALIBUR MINING EXTREME

Model No.		Enclosure Dimensions (mm)			Enclosure + Sun Shield Dimensions (mm)			Useable Depth
1.5mm Construction	2mm Construction	Height A	Width B	Depth C	Height A	Width F	Depth G	
PSMED1008040-1	PSMED1008040-2	1377	800	400	1377	890	467	382
PSMED10010040-1	PSMED10010040-2	1377	1000	400	1377	1090	467	382
PSMED10014040-1	PSMED10014040-2	1377	1400	400	1377	1490	467	382
PSMED12014040-1	PSMED12014040-2	1577	1400	400	1577	1490	467	382
PSMED16016040-1	PSMED16016040-2	1977	1600	400	1977	1690	467	382



PHOENIX EMS ENCLOSURES

Phoenix EMS offers a range of universal enclosures designed for standard applications.

Our range of enclosures incorporates industry-leading design elements and features, a few of these features are outlined below.

STAINLESS STEEL WALL MOUNT

Features

- IP66
- 316 stainless steel
- Body construction 1.2/1.5mm
- Universal enclosure
- Adjustable inner door kits and escutcheon options
- Concealed stainless steel hinges
- Fully welded construction
- Polyurethane gasket
- 8mm stainless steel square drive spanner lock
- Mounting pan 2mm powder coated white mild steel
- Blind nutsert fasteners
- Stainless steel mounting brackets
- Earth strap kit



Typical Applications



Blind nutsert fasteners

Height adjustable mounting pan and escutcheon.  
*\* Rail kits and escutcheon kits sold separately*



All Phoenix EMS mild and stainless steel enclosures come with standard accessories.

Blind nutsert fasteners for improved sealing included in all our stainless steel and mild steel wall mount enclosures.

Pour in place polyurethane gasket for all Phoenix EMS mild and stainless steel enclosures.

Height adjustable mounting pan and escutcheon.  
*\* Rail kits and escutcheon kits sold separately*

## MILD STEEL GENERAL PURPOSE WALL MOUNT

### Features

- IP66
- Body construction 1.2/1.5mm
- Grey RAL7035 epoxy UV resistant polyester powder coat
- Universal enclosure
- Adjustable inner door kits and escutcheon options
- Concealed hinges
- Fully welded construction
- Polyurethane gasket
- 8mm ZDC square drive spanner lock chrome plated
- 2mm galvanised mounting pan
- Blind nutsert fasteners
- Mild steel mounting brackets
- Earth strap kit



### Typical Applications



# MILD STEEL ENCLOSURES

PHOENIX EMS OFFERS A RANGE OF MILD STEEL ENCLOSURES WHICH ARE COMPETITIVELY PRICED AND ARE SUITABLE FOR INDUSTRIAL APPLICATIONS.

OUR MILD STEEL ENCLOSURES ARE CONSTRUCTED FROM GALVANIZED STEEL AND ARE AVAILABLE IN A RANGE OF DIFFERENT SIZES AND ACCOMPANYING ACCESSORIES ARE READILY AVAILABLE.

### General Purpose Wall Mount Enclosures Selection Table

Model No.	Dimensions (mm)			Useable Depth
	Height	Width	Depth	
PMX302015	300	200	150	132
PMX302515	300	250	150	132
PMX303015	300	300	150	132
PMX403015	400	300	150	132
PMX504016	500	400	160	142
PMX302520	300	250	200	182
PMX303020	300	300	200	182
PMX403020	400	300	200	182
PMX404020	400	400	200	182
PMX504020	500	400	200	182
PMX505020	500	500	200	182
PMX604020	600	400	200	182
PMX605020	600	500	200	182
PMX606020	600	600	200	182
PMX705020	700	500	200	182
PMX806020	800	600	200	182
PMX606030	600	600	300	282
PMX705025	700	500	250	232
PMX806030	800	600	300	282

Available in powdercoat orange RAL2000 on request

## MILD STEEL GENERAL PURPOSE WALL MOUNT

### General Purpose Wall Mount Enclosures Selection Table Continued

Model No.	Dimensions (mm)			Useable Depth
	Height	Width	Depth	
PMX808030	800	800	300	282
PMX1006030	1000	600	300	282
PMX1008032	1000	800	320	302
PMX1206030	1200	600	300	282
PMX1208030	1200	800	300	282
PMX806040	800	600	400	382
PMX808040	800	800	400	382
PMX1008040	1000	800	400	382
PMX1206040	1200	600	400	382
PMX1208040	1200	800	400	382
PMX1408040	1400	800	400	382



\*Modular consoles, control desks and custom mild steel enclosures available on request

## MILD STEEL GENERAL PURPOSE TERMINAL BOX

### Features

- IP66
- Body construction 1.5mm
- Grey RAL7035 epoxy UV resistant polyester powder coat
- Captive screws (lid)
- Flange mounted
- Polyurethane gasket
- M6 earth stud
- 2mm galvanised mounting pan



### Typical Applications



### General Purpose Terminal Box Selection Table

Model No.	Dimensions (mm)			Useable Depth
	Height	Width	Depth	
PMTB151580	150	150	80	70
PMTB151512	150	150	120	110
PMTB202080	200	200	80	70
PMTB202012	200	200	120	110
PMTB302012	300	200	120	110
PMTB303012	300	300	120	110
PMTB402012	400	200	120	110
PMTB403012	400	300	120	110
PMTB503012	500	300	120	110
PMTB604012	600	400	120	110

Available in powdercoat orange RAL2000 on request



## MILD STEEL HIGH VOLTAGE 1000V

### Features

- IP66
- 1.5mm construction
- French blue UV resistant powder coated finish
- Chrome plated brass pintle hinges (heavy duty)
- MS800 series swing handles
- 2mm mounting pan powder coated white
- Polyurethane gaskets
- Mounting hardware

### Options

- Gland plates (brass & alloy)
- Top hat stands
- Holes punched
- Mounting stands



## Typical Applications



## High Voltage 1000V Enclosures Selection Table

Model No.	Dimensions (mm)			Useable Depth
	Height	Width	Depth	
PMJ606030	600	600	300	282
PMJ806030	800	600	300	282
PMJ808030	800	800	300	282
PMJ1008030	1000	800	300	282
PMJ10010030	1000	1000	300	282

## PMJ1000V ENCLOSURES AND ROLLOVER PROTECTION

### Features

- Powder coated mild steel enclosure + frame
- Panel rated at IP66
- Polyurethane pour in place gaskets
- Multiple sizes available
- Pintle hinges/removable doors
- Dual Padlockable Swing Handles
- Document Holder and Door Rails
- 5mm Aluminium Gland Plate and Earth Strap Kit
- 25NB Round Roll Over Cage
- Panel & Cage Bolted together standard
- French Blue BS-381C 166 FRENCH BLUE
- IP, IK, UV, Corrosion Test reports available



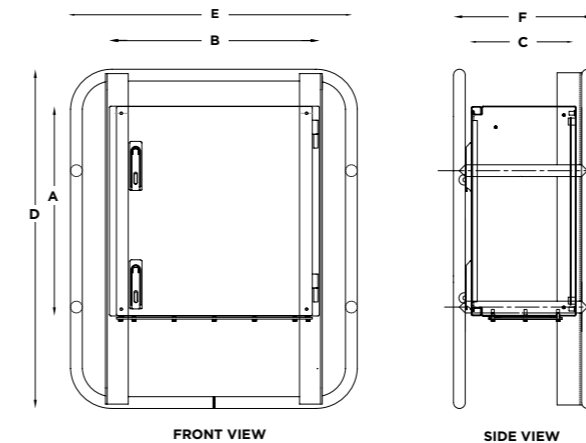
## TYPICAL APPLICATIONS



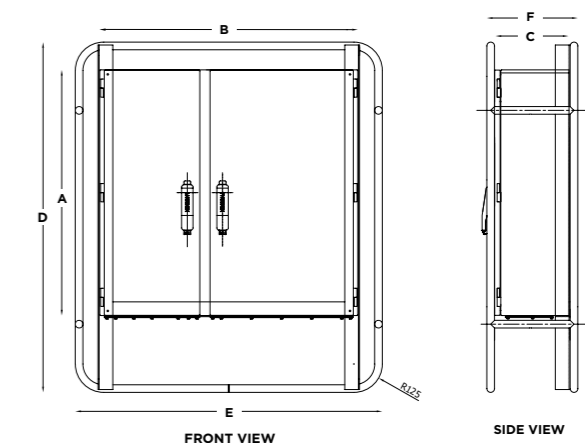
## PMJ1000V ENCLOSURES

Model No.	Enclosure Dimensions (mm)			Enclosure + Cage Dimensions (mm)			Doors	Useable Depth
	Height A	Width B	Depth C	Height D	Width E	Depth F		
PMJ606030-FRA	600	600	300	970	820	400	Single	282
PMJ806030-FRA	800	600	300	1540	815	400	Single	282
PMJ808030-FRA	800	800	300	1540	1020	400	Single	282
PMJ10010030-FRA	1000	1000	300	1540	1220	400	Single	282
PMJ10811333-FRA	1080	1135	330	1540	1350	400	Double	312
PMJ1080153530-FRA	1080	1535	300	1540	1750	400	Double	282

### Single Door



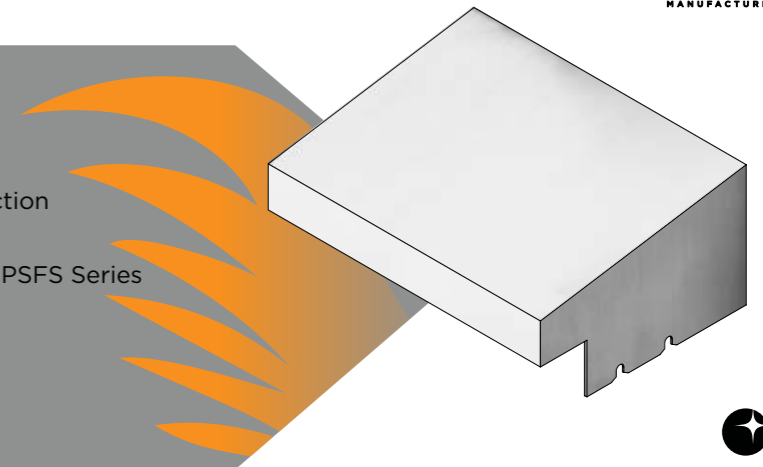
### Double Door



## STAINLESS STEEL RAIN HOOD

### Features

- 316 stainless steel N4 Finish
- Fully Welded 1.5mm Steel Construction
- Multiple sizes available
- Suitable for Excalibur PMX / PSX / PSFS Series & Other enclosures

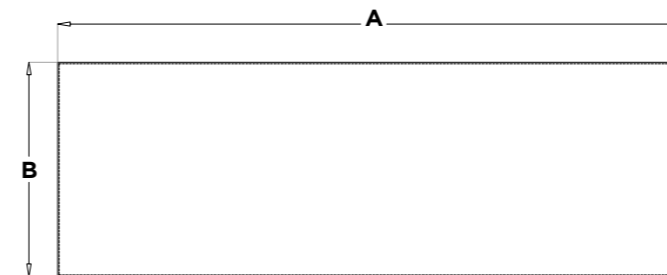


## TYPICAL APPLICATIONS

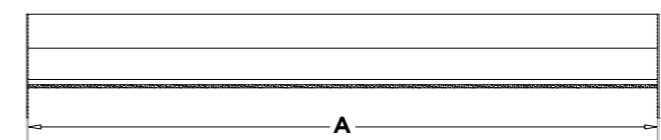


## STAINLESS STEEL RAIN HOOD

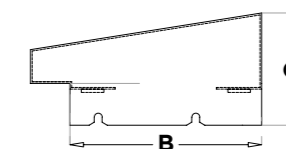
Model No.	Suitable Enclosures (W X D)	Dimensions (mm)		
		Width (A)	Depth (B)	Height (C)
PRH2015-S	200 x 150	205	155	91.5
PRH3015-S	300 x 150	305	155	91.5
PRH3020-S	300 x 200	305	205	99.5
PRH4020-S	400 x 200	405	205	99.5
PRH6020-S	600 x 200	605	205	99.5
PRH6030-S	600 x 300	605	305	115
PRH8030-S	800 x 300	805	305	115
PRH8040-S	800 x 400	805	405	131



TOP VIEW



FRONT VIEW



FRONT VIEW

# 26

## ENCLOSURE ACCESSORIES

### ENCLOSURE ACCESSORIES

Stainless Steel Rain Hood.....	27
Mild Steel Rain Hood Ral 2000.....	28
Mild Steel Rain Hood Ral 7035.....	29
Escutcheon Kits.....	30
Vent Hoods.....	32
Aluminium and Brass Glandplates.....	34
Wall Mounting Brackets.....	35
Louvre Plates.....	35
Plan Pockets.....	35
Earth Strap Kit.....	35
Door Stays.....	35

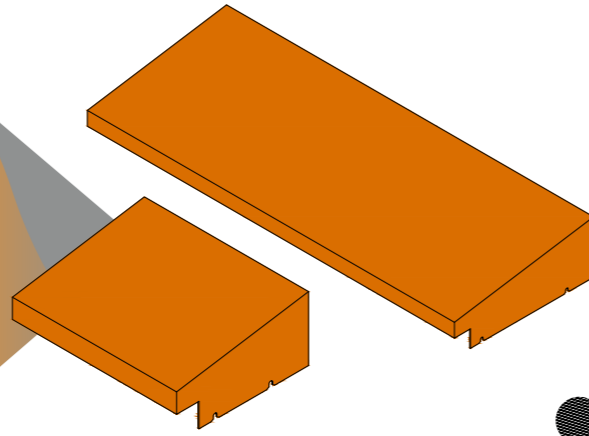
### LOCKING SYSTEMS

Locking System and Accessories.....	36
Phoenix Swing Lock Cover.....	38

## MILD STEEL RAIN HOOD RAL 2000

### Features

- Mild steel
- Fully Welded 1.5mm Steel Construction
- Powder coated RAL 2000 Orange
- Multiple sizes available
- Suitable for Excalibur PMX / PSX / PSFS Series & Other enclosures

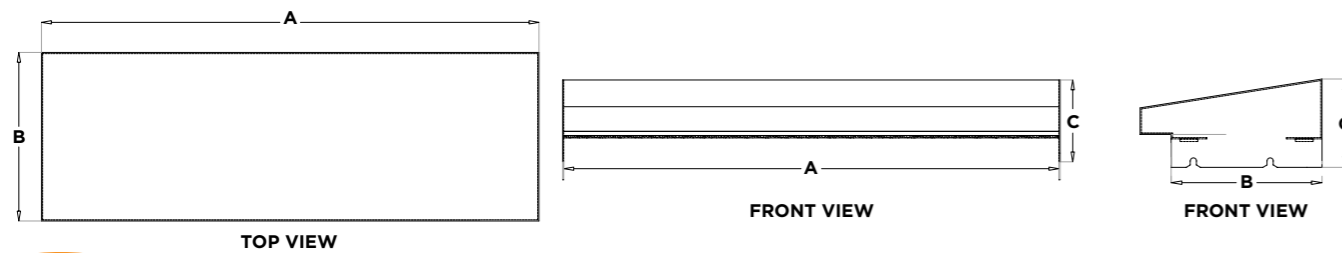


## TYPICAL APPLICATIONS



## MILD STEEL RAIN HOOD RAL 2000

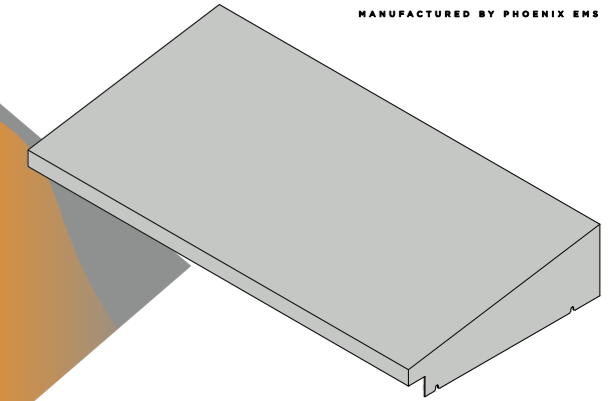
Model No.	Suitable Enclosures (W X D)	Dimensions (mm)		
		Width (A)	Depth (B)	Height (C)
PRH2015-O	200 x 150	205	155	91.5
PRH2515-O	250 x 150	255	155	91.5
PRH2520-O	250 x 200	255	205	99.5
PRH3015-O	300 x 150	305	155	99.5
PRH3020-O	300 x 200	305	205	99.5
PRH4016-O	400 x 160	405	165	93
PRH4020-O	400 x 200	405	205	99.5
PRH5020-O	500 x 200	505	205	99.5
PRH5025-O	500 x 250	605	405	131
PRH6020-O	600 x 200	605	205	99.5
PRH6030-O	600 x 300	605	305	115
PRH6040-O	600 x 400	605	405	131
PRH8030-O	800 x 300	805	305	115
PRH8040-O	800 x 400	805	405	131



## MILD STEEL RAIN HOOD RAL 7035

### Features

- Mild steel
- Fully Welded 1.5mm Steel Construction
- Powder coated RAL 7035 Grey
- Multiple sizes available
- Suitable for Excalibur PMX / PSX / PSFS Series & Other enclosures

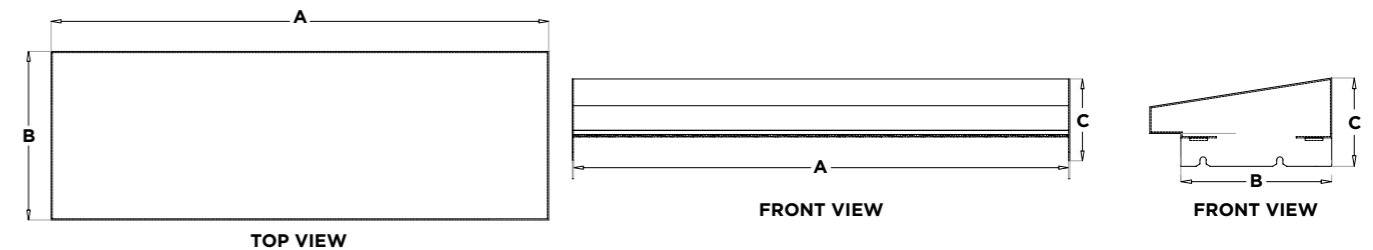


## TYPICAL APPLICATIONS



## MILD STEEL RAIN HOOD RAL 7035

Model No.	Suitable Enclosures (W X D)	Dimensions (mm)		
		Width (A)	Depth (B)	Height (C)
PRH2015-G	200 x 150	205	155	91.5
PRH2515-G	250 x 150	255	155	91.5
PRH2520-G	250 x 200	255	205	99.5
PRH3015-G	300 x 150	305	155	99.5
PRH3020-G	300 x 200	305	205	99.5
PRH4016-G	400 x 160	405	165	93
PRH4020-G	400 x 200	405	205	99.5
PRH5020-G	500 x 200	505	205	99.5
PRH5025-G	500 x 250	605	405	131
PRH6020-G	600 x 200	605	205	99.5
PRH6030-G	600 x 300	605	305	115
PRH6040-G	600 x 400	605	405	131
PRH8030-G	800 x 300	805	305	115
PRH8040-G	800 x 400	805	405	131



## EXCALIBUR PAIDK ESCUTCHEON KITS

### Features

- Powder coated white mild steel 1.5mm
- Fully welded construction
- Slotted mounting holes
- Multiple sizes available
- pintle hinges/ removable inner door
- All Screws / Bolts Included
- Earthing Kit included



## TYPICAL APPLICATIONS

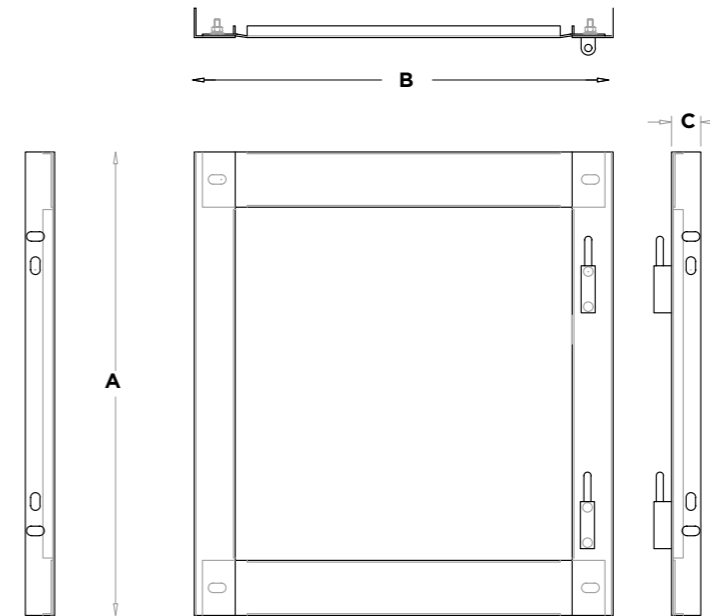


## ESCUTCHEON KITS

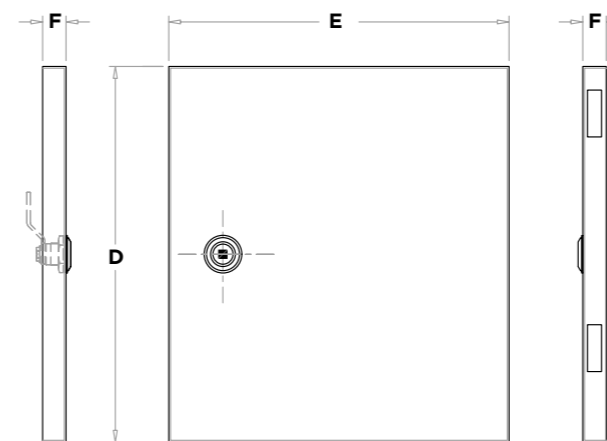
Model No.	Inner Frame Dimensions (mm)			Door Dimensions (mm)			Suits Enclosure
	Height A	Width B	Depth C	Height A	Width B	Depth C	
PAIDK4040	357	395	25	320	290	20	400 x 400
PAIDK4050	395	457	25	320	490	20	400 x 500
PAIDK4060	395	547	25	320	490	20	400 x 600
PAIDK5040	495	347	25	420	290	20	500 x 400
PAIDK5050	495	447	25	420	390	20	500 x 500
PAIDK5060	495	547	25	420	490	20	500 x 600
PAIDK5070	495	647	25	420	590	20	500 x 700
PAIDK6040	595	347	25	520	290	20	600 x 400
PAIDK6050	595	447	25	520	390	20	600 x 500
PAIDK6060	595	547	25	520	490	20	600 x 600
PAIDK6080	595	747	25	520	690	20	600 x 800
PAIDK7040	695	347	25	620	290	20	700 x 400
PAIDK7050	695	447	25	620	390	20	700 x 500
PAIDK7060	695	547	25	620	490	20	700 x 600
PAIDK7080	695	747	25	620	690	20	700 x 800
PAIDK8060	795	547	25	720	490	20	800 x 600
PAIDK8080	795	747	25	720	590	20	800 x 800
PAIDK10050	995	447	25	920	390	20	1000 x 500
PAIDK10060	995	547	25	920	490	20	1000 x 600

## EXCALIBUR PAIDK ESCUTCHEON KITS

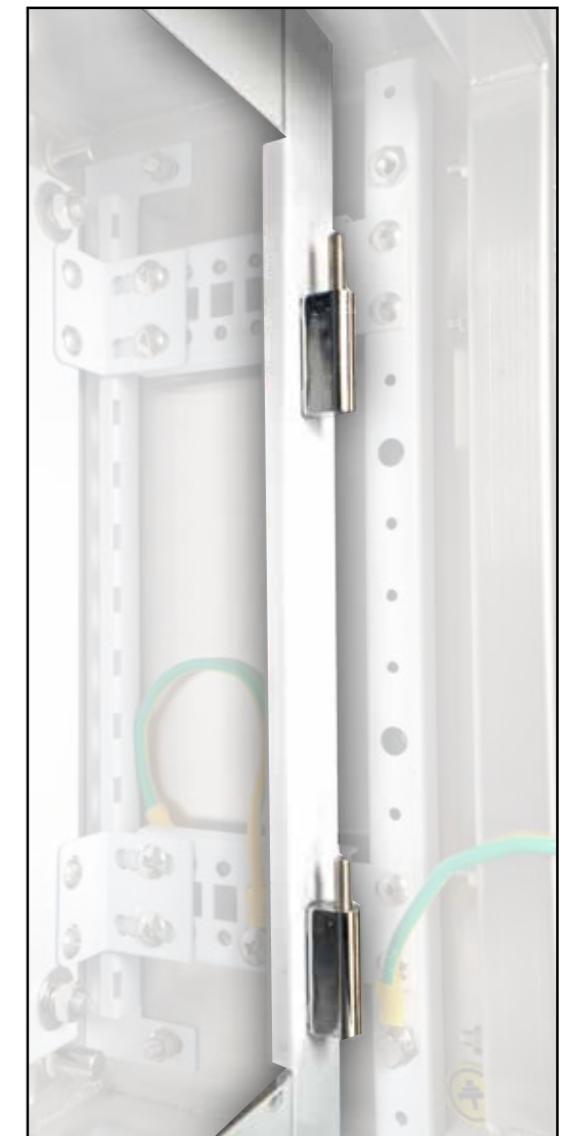
Model No.	Inner Door Dimensions (mm)			Inner Door Dimensions (mm)			Suits Enclosure
	Height A	Width B	Depth C	Height D	Width E	Depth F	
PAIDK12060	995	747	25	1120	490	20	1200 x 600
PAIDK12080	1195	547	25	1120	690	20	1200 x 800
PAIDK16060	1195	747	25	1520	490	20	1600 x 600
PAIDK16080	1595	547	25	1520	690	20	1600 x 600
PAIDK18060	1595	747	25	1720	490	20	1800 x 600
PAIDK18080	1795	547	25	1720	690	20	1800 x 800
PAIDK20060	1795	747	25	1920	490	20	2000 x 600
PAIDK20080	1995	547	25	1920	690	20	2000 x 800
PAIDK60100	1995	747	25	520	890	20	600 x 1000
PAIDK70100	595	947	25	620	890	20	700 x 1000
PAIDK80100	695	947	25	720	890	20	800 x 1000
PAIDK80120	795	947	25	720	1090	20	800 x 1200
PAIDK100100	995	947	25	920	890	20	1000 x 1000
PAIDK120100	947	1195	25	1120	890	20	1200 x 1000



INNER FRAME



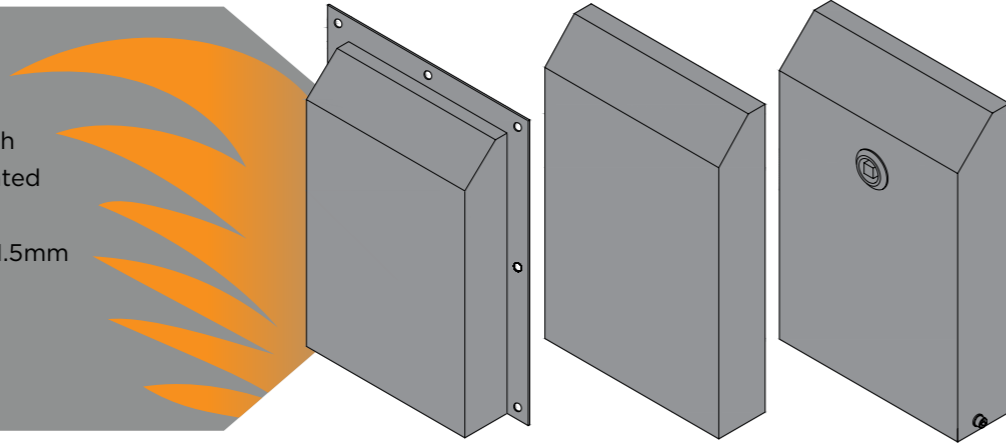
INNER DOOR



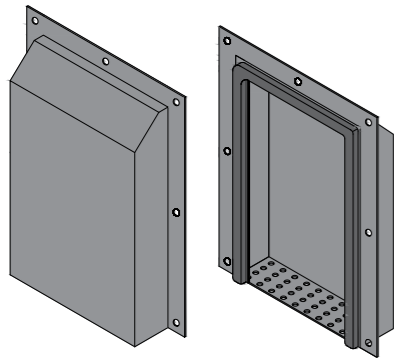
## VENT HOODS

### Features

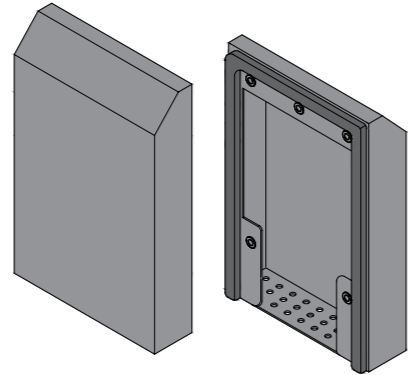
- Stainless Steel 316 N4 Finish and Mild Steel Powder Coated (RAL2000 & RAL 7035)
- Fully welded construction 1.5mm
- Slotted mounting holes
- Multiple sizes available



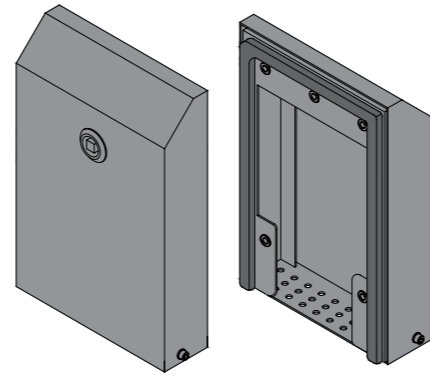
#### FLANGED



#### FLUSH



#### HINGED



## 316 STAINLESS VENT HOODS

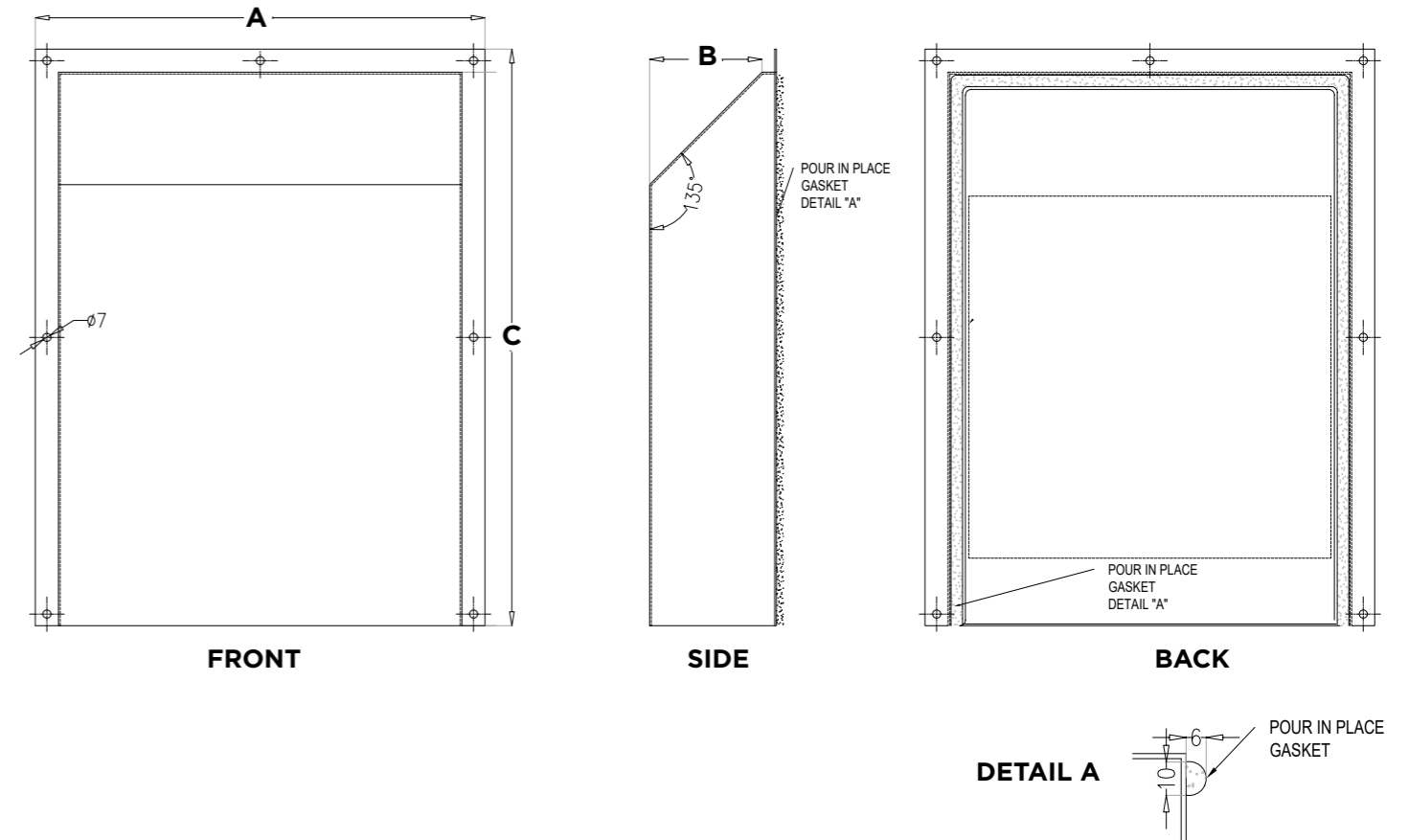
Model No.	Dimensions (mm)			Model No.	Dimensions (mm)			Model No.	Dimensions (mm)		
	Width (A)	Depth (B)	Height (C)		Width (A)	Depth (B)	Height (C)		Width (A)	Depth (B)	Height (C)
<b>FLANGED</b>			<b>FLUSH</b>			<b>HINGED</b>					
PVHFL231540-S	150	40	230	PVHFN231540-S	150	40	230	PVHHN231540-S	150	40	230
PVHFL332355-S	233	55	330	PVHFN332355-S	233	55	330	PVHHN332355-S	233	55	330
PVHFL392885-S	282	85	390	PVHFN392885-S	282	85	390	PVHHN392885-S	282	85	390
PVHFL483511-S	350	110	480	PVHFN483511-S	350	110	480	PVHHN483511-S	350	110	480
PVHFL493611-S	361	110	491	PVHFN493611-S	361	110	491	PVHHN493611-S	361	110	491

## MILD STEEL RAL2000 VENT HOODS

Model No.	Dimensions (mm)			Model No.	Dimensions (mm)			Model No.	Dimensions (mm)		
	Width (A)	Depth (B)	Height (C)		Width (A)	Depth (B)	Height (C)		Width (A)	Depth (B)	Height (C)
<b>FLANGED</b>			<b>FLUSH</b>			<b>HINGED</b>					
PVHFL231540-O	150	40	230	PVHFN231540-O	150	40	230	PVHHN231540-O	150	40	230
PVHFL332355-O	233	55	330	PVHFN332355-O	233	55	330	PVHHN332355-O	233	55	330
PVHFL392885-O	282	85	390	PVHFN392885-O	282	85	390	PVHHN392885-O	282	85	390
PVHFL483511-O	350	110	480	PVHFN483511-O	350	110	480	PVHHN483511-O	350	110	480
PVHFL493611-O	361	110	491	PVHFN493611-O	361	110	491	PVHHN493611-O	361	110	491

## MILD STEEL RAL7035 VENT HOODS

Model No.	Dimensions (mm)			Model No.	Dimensions (mm)			Model No.	Dimensions (mm)		
	Width (A)	Depth (B)	Height (C)		Width (A)	Depth (B)	Height (C)		Width (A)	Depth (B)	Height (C)
<b>FLANGED</b>			<b>FLUSH</b>			<b>HINGED</b>					
PVHFL231540-G	150	40	230	PVHFN231540-G	150	40	230	PVHHN231540-G	150	40	230
PVHFL332355-G	233	55	330	PVHFN332355-G	233	55	330	PVHHN332355-G	233	55	330
PVHFL392885-G	282	85	390	PVHFN392885-G	282	85	390	PVHHN392885-G	282	85	390
PVHFL483511-G	350	110	480	PVHFN483511-G	350	110	480	PVHHN483511-G	350	110	480
PVHFL493611-G	361	110	491	PVHFN493611-G	361	110	491	PVHHN493611-G	361	110	491



## ENCLOSURE ACCESSORIES

### Aluminium Glandplates



Dimensions (mm)		
Model No.	Height	Width
<b>PEMS-300-BR SERIES 5mm</b>		
PAALGP3015	280	95
PAALGP3020	280	145
PAALGP3025	280	195
PAALGP3030	280	245
PAALGP3035	280	295
PAALGP3040	280	345
<b>PEMS-400-BR SERIES 5mm</b>		
PAALGP4020	380	145
PAALGP4025	380	195
PAALGP4030	380	245
PAALGP4035	380	295
PAALGP4040	380	345
<b>PEMS-500-BR SERIES 3mm</b>		
PAALGP5020	480	145
PAALGP5025	480	195
PAALGP5030	480	245
PAALGP5035	480	295
PAALGP5040	480	345
<b>PEMS-600-BR SERIES 5mm</b>		
PAALGP6020	580	145
PAALGP6025	580	195
PAALGP6030	580	245
PAALGP6035	580	295
PAALGP6040	580	345
<b>PEMS-700-BR SERIES 5mm</b>		
PAALGP7020	680	145
PAALGP7025	680	195
PAALGP7030	680	245
PAALGP7035	680	295
PAALGP7040	680	345
<b>PEMS-800-BR SERIES 5mm</b>		
PAALGP8020	780	145
PAALGP8025	780	195
PAALRGP8030	780	245
PAALGP8035	780	295
PAALGP8040	780	345
<b>PEMS-1000-BR SERIES 3mm</b>		
PAALGP10020	980	145
PAALGP10025	980	195
PAALGP10030	980	245
PAALGP10035	980	295
PAALGP10040	980	345

### Brass Glandplates



Dimensions (mm)		
Model No.	Height	Width
<b>PEMS-300-BR SERIES 3mm</b>		
PABRGP3015	280	95
PABRGP3020	280	145
PABRGP3025	280	195
PABRGP3030	280	245
PABRGP3035	280	295
PABRGP3040	280	345
<b>PEMS-400-BR SERIES 3mm</b>		
PABRGP4020	380	145
PABRGP4025	380	195
PPABRGP4030	380	245
PABRGP4035	380	295
PABRGP4040	380	345
<b>PEMS-500-BR SERIES 3mm</b>		
PABRGP5020	480	145
PABRGP5025	480	195
PABRGP5030	480	245
PABRGP5035	480	295
PABRGP5040	480	345
<b>PEMS-600-BR SERIES 3mm</b>		
PABRGP6020	580	145
PABRGP6025	580	195
PABRGP6030	580	245
PABRGP6035	580	295
PABRGP6040	580	345
<b>PEMS-700-BR SERIES 3mm</b>		
PABRGP7020	680	145
PABRGP7025	680	195
PABRGP7030	680	245
PABRGP7035	680	295
PABRGP7040	680	345
<b>PEMS-800-BR SERIES 3mm</b>		
PABRGP8020	780	145
PABRGP8025	780	195
PPABRGP8030	780	245
PABRGP8035	780	295
PABRGP8040	780	345
<b>PEMS-1000-BR SERIES 3mm</b>		
PABRGP10020	980	145
PABRGP10025	980	195
PABRGP10030	980	245
PABRGP10035	980	295
PABRGP10040	980	345

## ENCLOSURE ACCESSORIES

### Wall Mounting Brackets

Model No.	Description
PASFM400	Zinc Plated Wall Brackets (x 4)
PASWMB	Stainless Steel wall Brackets (x4)



### Louvre Plates

Dimensions (mm)		
Model No.	Height	Width
<b>STAINLESS STEEL 316</b>		
PALP1212-S	120	120
PALP1616-S	160	160
PALP2222-S	220	220
<b>MILD STEEL RAL 7035 GREY</b>		
PALP1212-G	120	120
PALP1616-G	160	160
PALP2222-G	220	220
<b>MILD STEEL RAL 2000 ORANGE</b>		
PALP1212-O	120	120
PALP1616-O	160	160
PALP2222-O	220	220
<b>MILD STEEL RAL BS-381C 166 FRENCH BLUE</b>		
PALP1212-B	120	120
PALP1616-B	160	160
PALP2222-B	220	220



### Plan Pockets

Model No.	Description
PEMS-DH-A4	A4 DOCUMENT HOLDER
PEMS-DH-A3	A3 DOCUMENT HOLDER



### Earth Strap Kit

Model No.	Description
PAEARTHSK	Earth Strap Kit



### Door Stays

Model No.	Description
PABC0110	Block Door to 90 or 180 Degrees



## Locking systems and spare parts

Model No.	Description
<b>SWING HANDLES</b>	
MS860-1	Stainless steel padlockable swing handle (Handle only) SUS316
MS860-2	Nickel plated zinc alloy padlockable swing handle (Handle only)
S3B6000A	Latch to suit with no offset
S3B4510	Latch to suit with 10mm offset
S1B6800X	Latch to suit Non 3 Point Locking option
LG007-A	Rod to suit Zinc-plated steel, cone-round head with hole - 1000mm
LG007-B	Rod to suit Zinc-plated steel, cone-round head with hole with white PA roller - 1000mm
RG010	Rod guide for door
RG007	ZDC rod connect cover with nylon roller
<b>CYLINDER LOCKS</b>	
MS705-1B	4mm Stainless steel double bit lock (key not included)
MS705-3B	8mm Stainless steel triangular drive spanner lock (key not included)
MS705-12	7mm Chrome plated triangular drive spanner lock (key not included)
MS705-4B	8mm Stainless steel square drive spanner lock (key not included)
MS705-1	4mm ZDC double bit lock (key not included) bright chrome plated
MS705-3	8mm ZDC triangular drive spanner lock (key not included) bright chrome plated
MS705-4	8mm ZDC square drive spanner lock (key not included) bright chrome plated
MS805	Black powder coated housing Key lock
S1B45Y00002	Latch to suit spanner locks - no offset
S1B45Y10002	Latch to suit spanner locks - 10mm offset
S1B45Y16002	Latch to suit spanner locks - 16mm offset
WP002	Water proof cap to suit spanner locks
K15-1	Key to suit double bit spanner locks
K15-3	Key to suit triangular drive spanner locks
K15-4	Key to suit square drive spanner locks
K040	Key to suit MS805 Key locks
<b>HANDLE LOCKS</b>	
MS315-4-Y	Chrome plated ZDC 'L' handle with insert & padlockable (key included)
MS308-2	Chrome plated ZDC non lockable 'L' handle
MS324-2	Black powder coated ZDC lockable 'T' handle (key included)
MS324-2A	Black powder coated ZDC non lockable 'T' handle
S1B45Y00002	Latch to suit handle locks - no offset
S1B45Y10002	Latch to suit handle locks - 10mm offset
S1B45Y16002	Latch to suit handle locks - 16mm offset
S1B6800X	Latch to suit handle locks
K280	key to suit MS315-4-Y
K140	Key to suit MS324-2



## Locking systems and spare parts continued

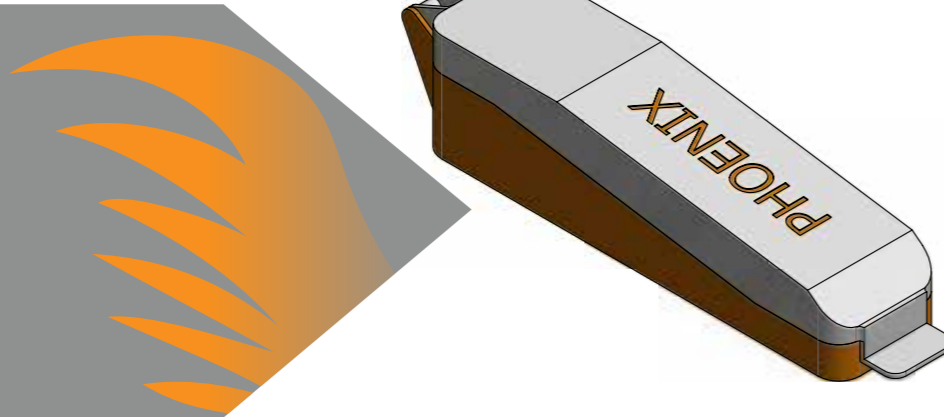
Model No.	Description
<b>KNOB HANDLE LOCKS</b>	
MS714-2-1	Plastic Knob Handle c/w Black powder coated ZDC housing with latch/tongue BH10mm
MS748-3	Wing Knob lockable with latch/tongue BH10mm with key
MS748-3A	wing Knob Non lockable with latch/tongue BH10mm
<b>CABINET HANDLES</b>	
LS511-B90	Bright Chrome Plated D handle
LS511S4A090001	Stainless steel D handle 90mm Long
LS509-90	Chrome plated cabinet handle
<b>PINCHWELD RUBBER SEALS</b>	
MFT-015	Rubber - 10 x 6.2mm
MFT-001	Rubber - 10 x 6.2mm
MFT-002	Rubber - 11 x 8mm
MFT-003	Rubber 21.5 x 8mm
MFT-004	Rubber 21 x 9mm
MFT-005	Rubber Seal
<b>CABINET LOCKS</b>	
DK614	Toggle lock
DK619-2-1D	Toggle lock
S870-2	Cabinet Key lock with key K160
<b>HINGES</b>	
CL104	Black powder coated ZDC corner mount hinge
CL204-1	ZDC Pintle Hinge 80mm Long (Bright chrome plated)
CL204-2	Steel pintle hinge with stainless steel cover 95mm Long - Bolt on
CL204-3	Steel pintle hinge with stainless steel cover 95mm Long
CL204-3C	Bright chrome plated ZDC hinge
CL204-3K	Stainless steel pintle hinge 82mm long
CL275-1	Zinc plated steel concealed hinge
CL275-2	Zinc plated steel concealed hinge
CL230-2	Black hinge



## PHOENIX SWING LOCK COVER

### Features

- UV Stable Abs Plastic
- Easy Installation
- Dust and debris Protection for Phoenix EMS swing locks
- Mounting holes

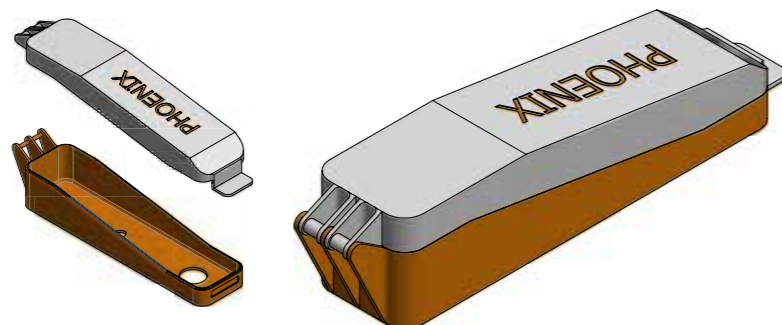
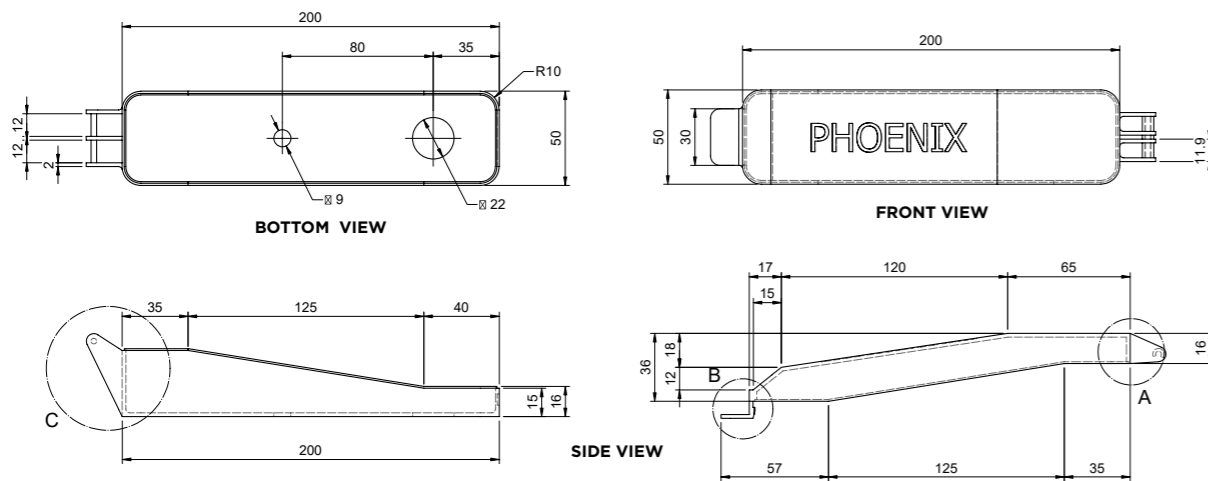


## TYPICAL APPLICATIONS



## PHOENIX SWING LOCK COVER SELECTION TABLE

Model No.	Cover Dimensions (mm)		
	Height A	Width B	Depth C
PEMS-LC	200	50	36



## NON-METALLIC ENCLOSURES

THE PHOENIX EMS RANGE OF NON-METALLIC ENCLOSURES COME IN AN ARRAY OF DIFFERENT SIZES AND FORMATS IN BOTH ACRYLONITRILE BUTADIENE STYRENE (ABS) AND GLASS REINFORCED POLYESTER (GRP).

THEY ARE DESIGNED TO BE A COST EFFECTIVE, LIGHTWEIGHT, CORROSION-RESISTANT ALTERNATIVE TO STEEL ENCLOSURES AND CAN BE USED IN INDUSTRIAL, COMMERCIAL AND RESIDENTIAL APPLICATIONS.

## NON-METALLIC ENCLOSURES ABS SCREW TYPE

### Features

- IP66
- ABS/PC construction
- Grey and clear cover options
- IK08 impact resistant
- -40 degrees to 120 degrees celsius
- ANSI/IEC 60529-2004



### Typical Applications



### Grey Cover ABS Screw Type Enclosure Selection Table

Model No.	Dimensions (mm)		
	Height	Width	Depth
PNAG0506	65	50	55
PNAG0609	95	65	55
PNAG1712-1	125	75	100
PNAG0712	125	75	75
PNAG0811	110	80	70
PNAG0811-S	110	80	45
PNAG0813	130	80	70
PNAG0816-S	160	80	55
PNAG0816	160	80	90
PNAG0818	180	80	70
PNAG0818-1	180	80	85
PNAG0825	250	80	70
PNAG0825-1	250	80	85
PNAG1212	125	125	100
PNAG1217	175	125	75
PNAG1423	230	140	90
PNAG1520	200	150	100
PNAG1525	250	150	100
PNAG1525-1	250	150	130
PNAG1717	175	175	75
PNAG1717-1	175	175	100
PNAG1725	250	175	75
PNAG1725-1	250	175	100
PNAG2020	200	200	130
PNAG2020-S	200	200	95
PNAG2819	190	280	130
PNAG2819-1	190	280	180
PNAG2828	280	280	130
PNAG3428	280	340	130
PNAG2834-1	280	380	180
PNAG2838	380	280	130
PNAG2838-1	380	280	180

## NON-METALLIC ENCLOSURES ABS SCREW TYPE

### Clear Cover ABS Screw Type Enclosure Selection Table

Model No.	Dimensions (mm)		
	Height	Width	Depth
PNAT0506	50	65	55
PNAT0712	125	75	75
PNAT0712-1	125	75	100
PNAT0811	110	80	70
PNAT0811-1	110	80	85
PNAT0813-1	130	80	85
PNAT0818-1	180	80	85
PNAT0825-1	250	80	85
PNAT1212	125	125	100
PNAT1217-1	175	125	100
PNAT1520	200	150	100
PNAT1525	250	150	100
PNAT2020	200	200	130
PNAT1717-1	175	175	100
PNAT1717	175	175	75
PNAT1725-1	250	175	100
PNAT2819-1	190	280	180
PNAT3819	380	190	130
PNAT2834	340	280	130
PNAT2838	380	280	130

### Mounting Pans to Suit AG & AT Enclosures

Model No.	Metal Mounting Plate to Suit AG + AT Enclosures
PN0506	Metal Mounting Plate for AG + AT 0506 Enclosures
PN0712	Metal Mounting Plate for AG + AT 0712 Enclosures
PN0811	Metal Mounting Plate for AG + AT 0811 Enclosures
PN0813	Metal Mounting Plate for AG + AT 0813 Enclosures
PN0816	Metal Mounting Plate for AG + AT 0816 Enclosures
PN0818	Metal Mounting Plate for AG + AT 0818 Enclosures
PN0825	Metal Mounting Plate for AG + AT 0825 Enclosures
PN1212	Metal Mounting Plate for AG + AT 212 Enclosures
PN1217	Metal Mounting Plate for AG + AT 217 Enclosures
PN1417	Metal Mounting Plate for AG + AT 417 Enclosures
PN1423	Metal Mounting Plate for AG + AT 423 Enclosures
PN1520	Metal Mounting Plate for AG + AT 520 Enclosures
PN1525	Metal Mounting Plate for AG + AT 525 Enclosures
PN1717	Metal Mounting Plate for AG + AT 717 Enclosures
PN1725	Metal Mounting Plate for AG + AT 725 Enclosures
PN2020	Metal Mounting Plate for AG + AT 2020 Enclosures
PN2819	Metal Mounting Plate for AG + AT 2819 Enclosures
PN2828	Metal Mounting Plate for AG + AT 2828 Enclosures
PN3428	Metal Mounting Plate for AG + AT 3428 Enclosures
PN3828	Metal Mounting Plate for AG + AT 3828 Enclosures



VIEW OUR FULL RANGE OF  
**HAZARDOUS AREA  
ENCLOSURES**

1300 0 PHOENIX  
www.phoenixems.com.au



## NON-METALLIC ENCLOSURES ABS HINGED DOOR



### Features

- IP66
- ABS/PC construction
- Grey and clear door options
- Hinged door (latch and hinge type)
- IK08 impact resistant
- -40 degrees to 120 degrees celsius
- ANSI/IEC 60529-2004



### Typical Applications



### Grey Door ABS Hinged Door Enclosure Selection Table

Model No.	Dimensions (mm)		
	Height	Width	Depth
PNMG2030	300	200	180
PNMG3030	300	300	180
PNMG3040	400	300	180
PNMG4030	300	400	180
PNMG4050	500	400	200
PNMG4060	600	400	200

### Clear Door ABS Hinged Door Enclosure Selection Table

Model No.	Dimensions (mm)		
	Height	Width	Depth
PNMT2030	300	200	180
PNMT3030	300	300	180
PNMT3040	400	300	180
PNMT4030	300	400	180
PNMT4050	500	400	200
PNMT4060	600	400	200

### Mounting Pans to Suit MG & MT Enclosures

Model No.	Metal Mounting Plate to Suit MG + MT Enclosures
PN2030	Metal Mounting Plate for MG + MT 2030 Enclosures
PN3030	Metal Mounting Plate for MG + MT 3030 Enclosures
PN3040	Metal Mounting Plate for MG + MT 3040 Enclosures
PN4030	Metal Mounting Plate for MG + MT 4030 Enclosures
PN4050	Metal Mounting Plate for MG + MT 4050 Enclosures
PN4060	Metal Mounting Plate for MG + MT 4060 Enclosures

## NON-METALLIC POLYESTER GRP LATCH & HINGE TYPE

### Features

- IP66
- Polyester GRP construction
- Grey and clear door options
- Self extinguishing
- UV stabilised
- IK08 impact resistant
- -40 degrees - 120 degrees celsius
- Door hinges 180 degree opening
- Complete with wall mounting bracket (4 pcs / set)
- RAL 7035
- ANSI/IEC 60529-2004



### Typical Applications



### Grey Door Hinged GRP Enclosure Selection Table

Model No.	Dimensions (mm)		
	Height	Width	Depth
PNTIP325	300	250	140
PNTIP43	400	300	200
PNTIP44	400	400	200
PNTIP54	500	400	200
PNTIP64	600	400	230
PNTIP65	600	500	230
PNTIP86	800	600	300

### Clear Window Hinged GRP Enclosure Selection Table

Model No.	Dimensions (mm)		
	Height	Width	Depth
PNTX325	300	250	140
PNTX43	400	300	200
PNTX44	400	400	200
PNTX54	500	400	200
PNTX64	600	400	230
PNTX65	600	500	230
PNTX86	800	600	300

## NON-METALLIC POLYESTER GRP ACCESSORIES

### Mounting Pans to Suit TIP & TX Enclosures

Model No.	Description
PN325	Metal Mounting Plate for TIP & TX Enclosures
PN430	Metal Mounting Plate for TIP & TX Enclosures
PN440	Metal Mounting Plate for TIP & TX Enclosures
PN540	Metal Mounting Plate for TIP & TX Enclosures
PN640	Metal Mounting Plate for TIP & TX Enclosures
PN650	Metal Mounting Plate for TIP & TX Enclosures
PN860	Metal Mounting Plate for TIP & TX Enclosures

### Inner Doors to Suit TIP & TX Enclosures

Model No.	Description	Dimensions (mm)	
		Height	Width
PNTP43	Inner door to suit TIP & TX Enclosures	364	245
PNTP44	Inner door to suit TIP & TX Enclosures	364	345
PNTP54	Inner door to suit TIP & TX Enclosures	464	345
PNTP64	Inner door to suit TIP & TX Enclosures	564	345
PNTP65	Inner door to suit TIP & TX Enclosures	564	445
PNTP86	Inner door to suit TIP & TX Enclosures	764	545

## INDUSTRIAL AIR COOLED AIR CONDITIONER 500W

### Features

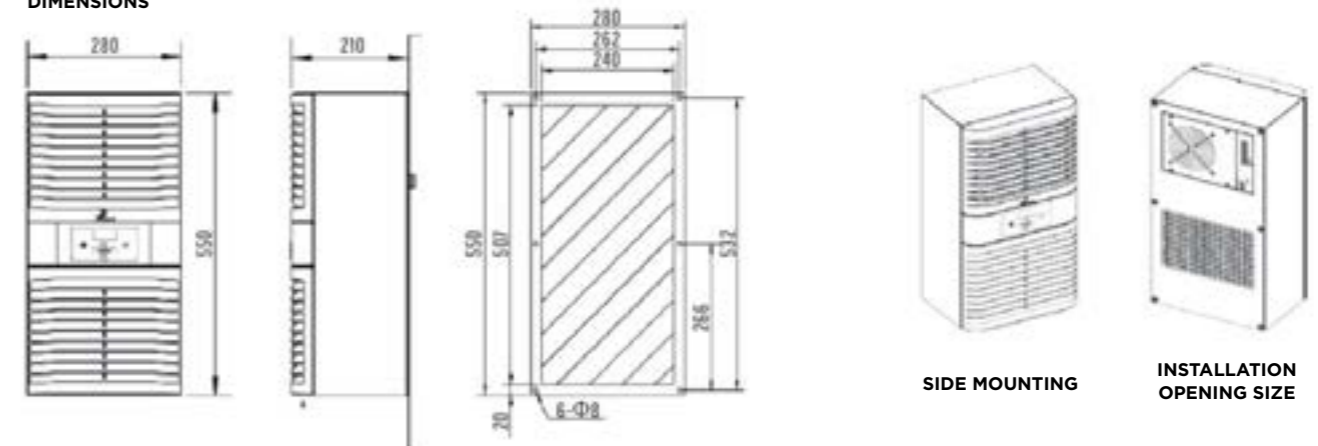
- Smart inverter control ensures a 40% reduction in energy consumption.
- Comprehensive isolation—dust proof, oil proof, mist proof moisture proof.
- Compact design, compatible with industry-standard models. Adjustable temperature range: -15 to +55°C.
- LCD display for easy parameter setting and alarm checks.
- MODBUS communication with power-on START-UP function.
- Nano coating provides anti-corrosion capabilities.
- Optional smoke, access control, and flooding alarms.
- Over 10 years of uninterrupted operation (24/7/365).



### SELECTION TABLE

Model No.	PVAVC050
Height/Width/Depth	550x280x210
Weight: kg	<17
Installation Mode	Outdoor (side mounting)
Working Temperature	-15 - +55
Noise Level	65
IP protection class	IP54
Refrigerant	R134a
Refrigerating capacity 135/135	500-550
Input power @135/L35	260-280
Input current @L35/L35	1.3-1.35
Rated Voltage	1-,220,50/60

### DIMENSIONS



SIDE MOUNTING

INSTALLATION  
OPENING SIZE

# 46

## VENTILATION SYSTEMS & CLIMATE CONTROL

PHOENIX EMS OFFERS COMPREHENSIVE SOLUTIONS FOR FILTERING, COOLING AND HEATING TO PROTECT YOUR EQUIPMENT AND ENSURE ITS OPERATING WITHIN IT'S INTENDED SPECIFICATIONS.

OUR RANGE OF PRODUCTS INCLUDE WALL AND ROOF MOUNTED AIR CONDITIONERS, FILTER UNITS, FILTER FANS ALONG WITH THERMOSTATS AND HEATERS TO HANDLE EXTREME WEATHER AND EXCESSIVE TEMPERATURES.

Features

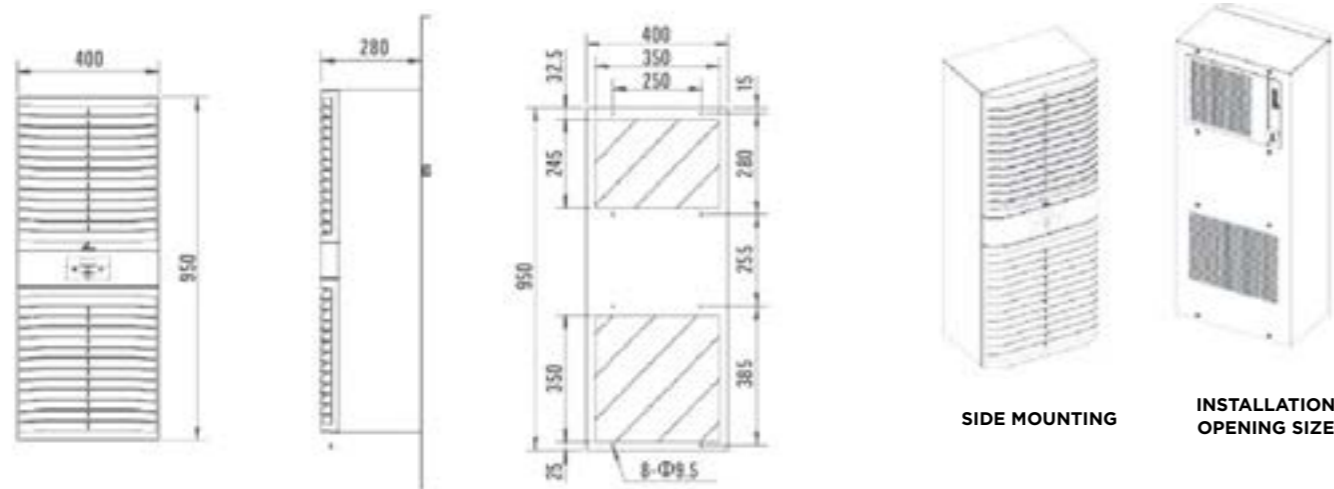
- Smart inverter control ensures a 40% reduction in energy consumption.
- Comprehensive isolation—dust proof, oil proof, mist proof moisture proof.
- Compact design, compatible with industry-standard models. Adjustable temperature range: -15 to +55°C.
- LCD display for easy parameter setting and alarm checks.
- MODBUS communication with power-on START-UP function.
- Nano coating provides anti-corrosion capabilities.
- Optional smoke, access control, and flooding alarms.
- Over 10 years of uninterrupted operation (24/7/365).



SELECTION TABLE

Model No.	PVAVC100	PVAVC150	PVAVC200
Height/Width/Depth	950x400x280	950x400x280	950x400x280
Weight: kg	<41	<41	<41
Installation Mode	Outdoor (side mounting)	outdoor (side mounting)	outdoor (side mounting)
Working Temperature	-15 - +55	-15 - +55	-15 - +55
Noise Level	65	65	65
IP protection class	IP54	IP54	IP54
Refrigerant	R134a	R134a	R134a
Refrigerating capacity 135/135	1100-1300	1500-1700	2000-2100
Input power @135/L35	540-680	750-900	1000-1200
Input current @L35/L35	2.5 - 3.2	3.5 - 4.2	4.6 - 5.7
Rated Voltage	1-,220,50/60	1-,220,50/60	1-,220,50/60

DIMENSIONS



Features

- Smart inverter control ensures a 40% reduction in energy consumption.
- Comprehensive isolation—dust proof, oil proof, mist proof moisture proof.
- Compact design, compatible with industry-standard models. Adjustable temperature range: -15 to +55°C.
- LCD display for easy parameter setting and alarm checks.
- MODBUS communication with power-on START-UP function.
- Nano coating provides anti-corrosion capabilities.
- Optional smoke, access control, and flooding alarms.
- Over 10 years of uninterrupted operation (24/7/365).



SELECTION TABLE

Model No.	PVAVC400
Height/Width/Depth	1580x500x340
Weight: kg	89
Installation Mode	Side mounting / door mounting
Working Temperature	-15 - +55
Noise Level	65
IP protection class	IP54
Refrigerant	R134a
Refrigerating capacity 135/135	4000-4500
Input power @135/L35	1900-2600
Input current @L35/L35	3.1 - 4.2
Rated Voltage	3-,380,50/60
Air switch	3,10

DIMENSIONS





## CUSTOM FABRICATION AVAILABLE

Phoenix EMS supplies leading electrical and mechanical products, value-add solutions, engineering services & professional support services to our valued clients throughout Australia.

- Turnkey Electrical & Mechanical Manufacturing
- Engineering Design
- Electrical Control Panel Design
- Drafting
- Electrical Wiring
- OEM Equipment Manufacture
- FAT & Testing
- Commissioning
- Laser Cutting + Rotary Laser
- Welding and Radial Drilling
- Fabrication
- Bending and Folding
- Powder coating
- Pour in Place Polyurethane Gasket Machine

[phoenixems.com.au](http://phoenixems.com.au)

## TOP MOUNTED COOLING UNIT 680W, 825W

### Features

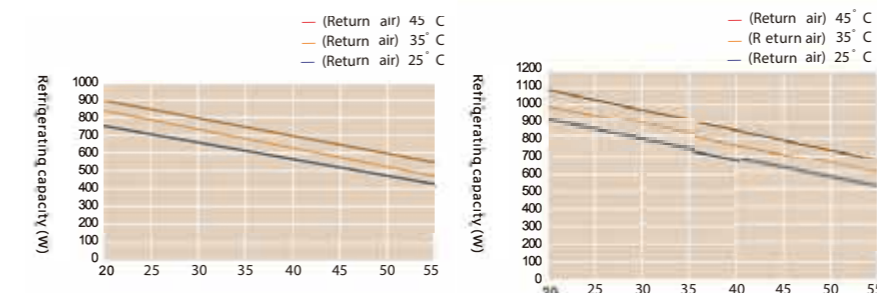
- Efficient cooling for industrial enclosures
- Enhances the space management and efficiency of your enclosure setup.
- Suitable for medium-sized electric cabinets.
- Zero Condensed Water Discharge:
- Self-Adjustable Thermostat
- Provides real-time display of cabinet temperature.
- Allows for precise temperature control and monitoring.
- Optimizes air circulation within the cabinet.
- Ensures superior performance and efficient cooling.
- Reliable enclosure Air Conditioner designed for Australian climate to ensure



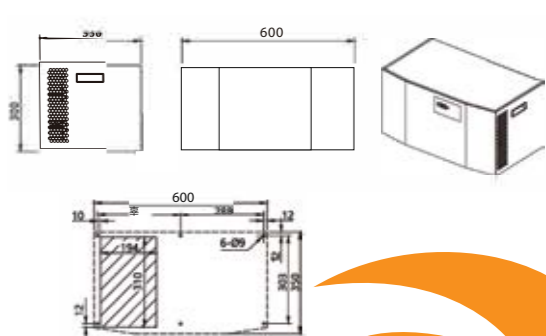
### SELECTION TABLE

Model No.	PVARC680T	PVARC825T
Factory ID No.	30200010	30200011
Dimensions) (WxHxD)	600 x 300 x 350mm	
Refrigeration Data (L35/L35)	680W	825W
Cooling Capacity (ISO/35)	540W	620W
Refrigerant	R134a	
Temperature Setting	(adjustment range is from)+20°C(+68 °F)to)+40°C(+104 °F), (factory set)+35°C(+95°F)	
Air Volume, internal Circuit	290m3/h	
Air Volume, external Circuit	400m3/h	
Condensate Discharge	(with condensate discharge hose)	
Refrigerant Quantity	300g	
Rated voltage	AC 230V	
Rated frequency	50Hz	
Range of operation	207-253V	
Power consumption at L35/35	473W	
Rated current at L35/35)	2.3A	
Starting current at L35/35	10.2A	
Connection	plug-in connector	
weight	25kg	27kg
Fitting position	Top-of-Rack	
Housing	Galvanized sheet steel/power electroplating paint; the stainless steel cover is available on request	
Color	RAL 7035	
Security parameter	DIN 31001	
Protection Level	biggest environmental temperature: 55°C, Maximum relative humidity 80%, L35/L35(EN 814)	
Protection Level	IP 54	
(Approval)	CE	

### PERFORMANCE CURVE



### DIMENSIONS



## TOP MOUNTED COOLING UNIT 1100W, 1500W

### Features

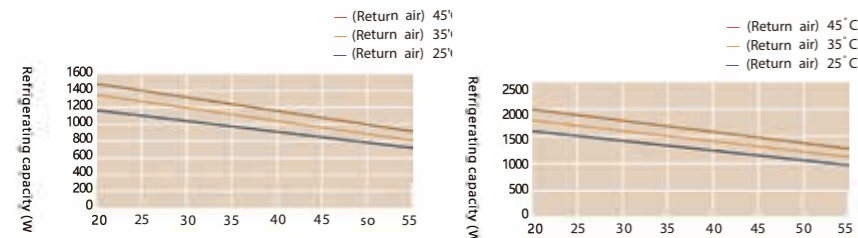
- Efficient cooling for industrial enclosures
- Enhances the space management and efficiency of your enclosure setup.
- Suitable for medium-sized electric cabinets.
- Zero Condensed Water Discharge:
- Self-Adjustable Thermostat
- Provides real-time display of cabinet temperature.
- Allows for precise temperature control and monitoring.
- Optimizes air circulation within the cabinet.
- Ensures superior performance and efficient cooling.
- Reliable enclosure Air Conditioner designed for Australian climate to ensure



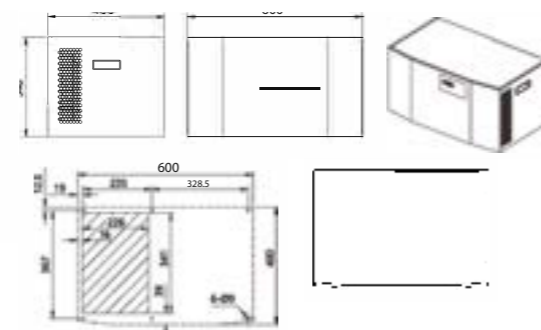
### SELECTION TABLE

Model No.	PVARC1100T	PVARC1500T
Factory ID No.	30200012	30200013
Dimensions) (WxHxD)	600 x 340 x 400mm	
Refrigeration Data (L35/L35)	1100W	1500W
Cooling Capacity (ISO/35)	850W	1200W
Refrigerant	R134a	
Temperature Setting	(adjustment range is from)+20°C(+68 °F)to+40°C(+104 °F), (factory set)+35°C(+95°F)	
Air Volume, internal Circuit	380m <sup>3</sup> /h	420m <sup>3</sup> /h
Air Volume, external Circuit	500m <sup>3</sup> /h	550m <sup>3</sup> /h
Condensate Discharge	(with condensate discharge hose)	
Refrigerant Quantity	850g	
Rated voltage	AC 230V	
Rated frequency	50Hz	
Range of operation	207-253V	
Power consumption at L35/35	689W	
Rated current at L35/35)	3.1A	
Starting current at L35/35	16.2A	
Connection	plug-in connector	
weight	36kg	38kg
Fitting position	Top-of-Rack	
Housing	Galvanized sheet steel/power electroplating paint; the stainless steel cover is available on request	
Color	RAL 7035	
Security parameter	DIN 31001	
Protection Level	biggest environmental temperature: 55°C, Maximum relative humidity 80%, L35/L35(EN 814)	
Protection Level	IP 54	
(Approval)	CE	

### PERFORMANCE CURVE



### DIMENSIONS



## TOP MOUNTED COOLING UNIT 2000W, 2500W

### Features

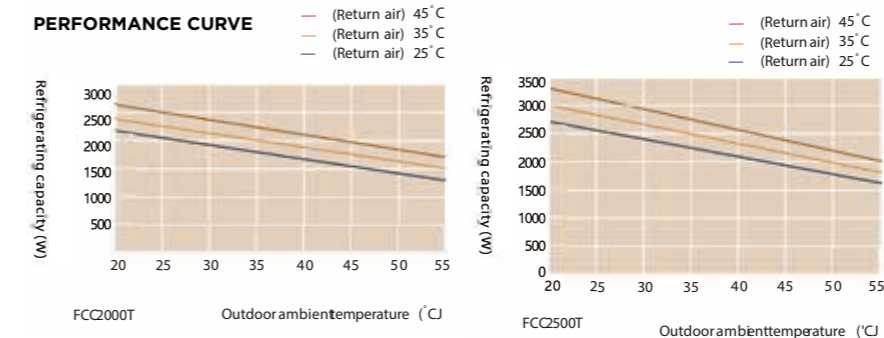
- Efficient cooling for industrial enclosures
- Enhances the space management and efficiency of your enclosure setup.
- Suitable for medium-sized electric cabinets.
- Zero Condensed Water Discharge:
- Self-Adjustable Thermostat
- Provides real-time display of cabinet temperature.
- Allows for precise temperature control and monitoring.
- Optimizes air circulation within the cabinet.
- Ensures superior performance and efficient cooling.
- Reliable enclosure Air Conditioner designed for Australian climate to ensure



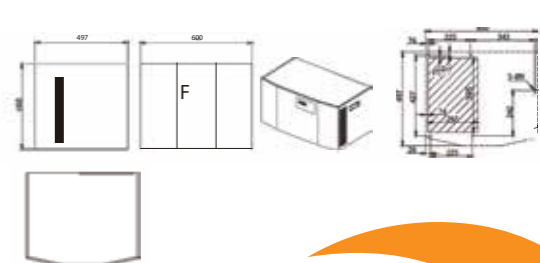
### SELECTION TABLE

Model No.	PVARC2000T	PVARC2500T
Factory ID No.	30200014	30200015
Dimensions) (WxHxD)	600 x 460 x 497 mm	
Refrigeration Data (L35/L35)	2000W	2500W
Cooling Capacity (ISO/35)	1500W	2000W
Refrigerant	R134a	
Temperature Setting	(adjustment range is from)+20°C(+68 °F)to+40°C(+104 °F), (factory set)+35°C(+95°F)	
Air Volume, internal Circuit	500m <sup>3</sup> /h	540m <sup>3</sup> /h
Air Volume, external Circuit	900m <sup>3</sup> /h	1000m <sup>3</sup> /h
Condensate Discharge	(with condensate discharge hose)	
Refrigerant Quantity	1000g/1050g	
Rated voltage	AC 230V	
Rated frequency	50Hz	
Range of operation	207-253V	
Power consumption at L35/35	8 28W	957W
Rated current at L35/35)	3.6 A	4.2 A
Starting current at L35/35	21.6A	25.2A
Connection	plug-in connector	
weight	54kg	56kg
Fitting position	Top-of-Rack	
Housing	Galvanized sheet steel/power electroplating paint; the stainless steel cover is available on request	
Color	RAL 7035	
Security parameter	DIN 31001	
Protection Level	biggest environmental temperature: 55°C, Maximum relative humidity 80%, L35/L35(EN 814)	
Protection Level	IP 54	
(Approval)	CE	

### PERFORMANCE CURVE



### DIMENSIONS



## TOP MOUNTED COOLING UNIT 3200W

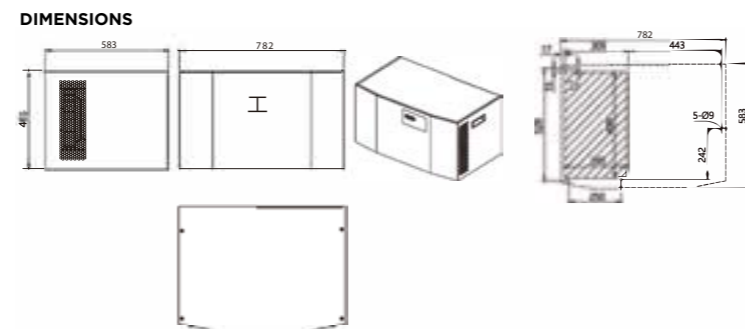
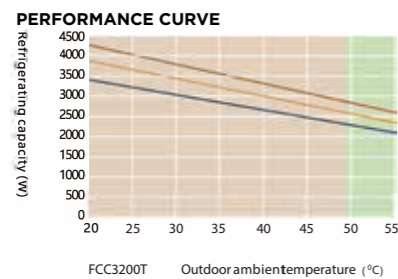
### Features

- Efficient cooling for industrial enclosures
- Enhances the space management and efficiency of your enclosure setup.
- Suitable for medium-sized electric cabinets.
- Zero Condensed Water Discharge:
- Self-Adjustable Thermostat
- Provides real-time display of cabinet temperature.
- Allows for precise temperature control and monitoring.
- Optimizes air circulation within the cabinet.
- Ensures superior performance and efficient cooling.
- Reliable enclosure Air Conditioner designed for Australian climate to ensure



## SELECTION TABLE

Model No.	PVARC3200T
Factory ID No.	30200012
Dimensions) (WxHxD)	782 x 465 x 583mm
Refrigeration Data (L35/L35)	3200W
Cooling Capacity (ISO/35)	2500W
Refrigerant	R134a
Temperature Setting	(adjustment range is from)+20°C(+68 °F)to)+40°C(+104 °F), (factory set)+35°C(+95°F)
Air Volume, internal Circuit	1150m <sup>3</sup> /h
Air Volume, external Circuit	1750m <sup>3</sup> /h
Condensate Discharge	(with condensate discharge hose)
Refrigerant Quantity	11 00g
Rated voltage	230VAC/380VAC
Rated frequency	50Hz
Range of operation	207 -253V /342-41 BV
Power consumption at L35/35	1335W/1310W
Rated current at L35/35)	6.0N3.3A
Starting current at L35/35	34.1N30.8A
Connection	plug-in connector
weight	70 kg
Fitting position	Top-of-Rack
Housing	Galvanized sheet steel/power electroplating paint; the stainless steel cover is available on request
Color	RAL 7035
Security parameter	DIN 31001
Protection Level	biggest environmental temperature: 55°C, Maximum relative humidity 80%, L35/L35(EN 814)
Protection Level	IP 54
(Approval)	CE



## INDUSTRIAL FILTERS (FULL RANGE)

### Features

- Quick and simple mounting for hassle-free installation.
- Cabinet Ventilation: Tailored for ventilating control cabinets and enclosures.
- Space-Saving: Compact size with small external dimensions
- Versatile Mounting: Compatible with various set-ups
- RAL7035
- IP Rating: IP54



## FILTER UNIT SELECTION TABLE

Exit Filter	DESCRIPTION	DIMENSIONS	OPTIONAL MATCHING FAN
PVA000BPB	Exit Filter	109X109mm	PVA500BPB, PVA524BPB
PV1000BPB	Exit Filter	150x150mm	PV1600BPB, PV1524BPTB
PVB000BPB	Exit Filter	204x204mm	PVB500BPB, PVB1524BPB
PV2000BPB	Exit Filter	250x250mm	PV2300BPB, PV2500BPB
PV3000BPB	Exit Filter	325x325mm	PV3500BPB, PV3600BPB



## INDUSTRIAL FILTER FANS (FULL RANGE)

### Features

- Voltage: 230VAC and 24VDC options.
- Quick and simple mounting for hassle-free installation.
- Cabinet Ventilation: Tailored for ventilating control cabinets and enclosures.
- Space-Saving: Compact size with small external dimensions
- Versatile Mounting: Compatible with various set-ups
- RAL7035
- IP Rating: IP54



## PVA500BPB, PVA524BPB INDUSTRIAL FILTER FAN

### Features

- Voltage: 240VAC and 24VDC options.
- Quick and simple mounting for hassle-free installation.
- Cabinet Ventilation: Tailored for ventilating control cabinets and enclosures.
- Space-Saving: Compact size with small external dimensions
- Versatile Mounting: Compatible with various set-ups
- RAL7035
- IP Rating: IP54



## FILTER WITH FAN SELECTION TABLE

FILTER FANS	DESCRIPTION	AIR THROUGHPUT	UNIMPEDED AIRFLOW	VOLTAGE	DIMENSIONS	MATCHING FILTER
PVA500BPB	Filter with Fan	24 m3/h	35 m3/h	230VAC	109X109mm	PVA000BPB
PVA524BPB	Filter with Fan	24 m3/h	35 m3/h	24VDC	109X109mm	PVA000BPB
PV1600BPB	Filter with Fan	50 m3/h	67 m3/h	230VAC	150X150mm	PV1000BPB
PV1524BPTB	Filter with Fan	50 m3/h	67 m3/h	24VDC	150X150mm	PV1000BPB
PVB500BPB	Filter with Fan	85 m3/h	120 m3/h	230VAC	204X204mm	PVB000BPB
PVB1524BPB	Filter with Fan	85 m3/h	120 m3/h	24VDC	204X204mm	PVB000BPB
PV2300BPB	Filter with Fan	120 m3/h	240 m3/h	230VAC	250X250mm	PV2000BPB
PV2500BPB	Filter with Fan	170 m3/h	265 m3/h	230VAC	250X250mm	PV2000BPB
PV3500BPB	Filter with Fan	360 m3/h	600 m3/h	230VAC	325X325mm	PV3000BPB
PV3600BPB	Filter with Fan	500 m3/h	800 m3/h	230VAC	325X325mm	PV3000BPB

## FILTER AND FAN UNIT SPECIFICATIONS

Model No.	PVA500BPB	PVA524BPB
Rated operating voltage V	220V-240VAC	24VDC
Frequency Hz	50/60	-
Air throughput,unimpeded air flow	35m3/h	35m3/h
Air throughput with Exit filter including standard filter mat	24/27m3/h	24/27m3/h
Axial fan	Self-starting shaded pole motor	DC motor
Rated current max.	0.08-0.07A	0.4A
Rated Power	13W	9.6w DC
Noise level	35dB(A)	35dB(A)
Operating temperature range	-30°C - +70 °C	-30°C - +70 °C
Model No. Exit filter	PVA000BPB	
Material	Made of injection-moulded thermoplastic, customizable flame retardant material (UL94-40)	
Air flow direction	Air-in as default; air-out optional	
Protection Level	IP54	

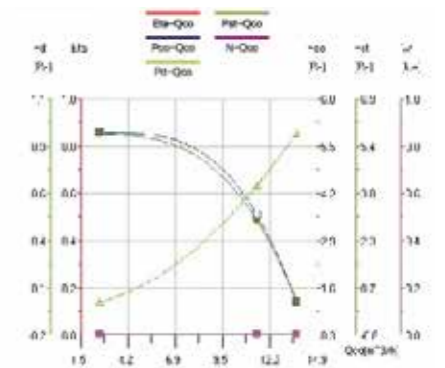


INDUSTRIAL FILTER UNIT WITH MATCHING FAN

### DIMENSIONS



### CHARACTERISTICS OF STATIC PRESSURE



**Features**

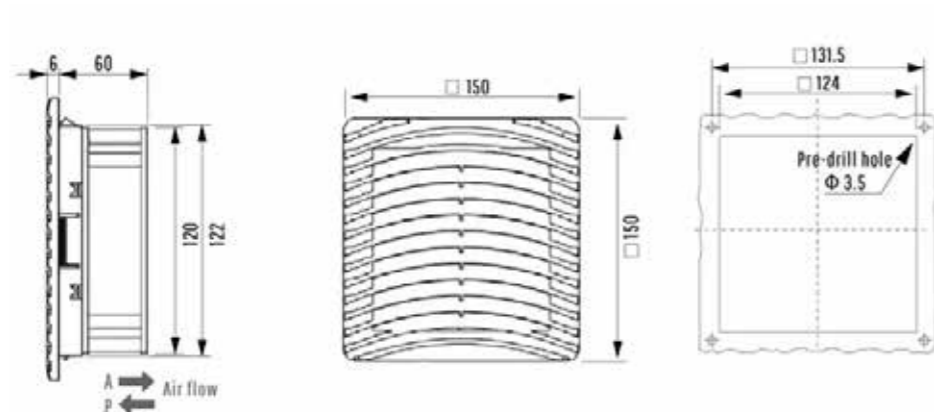
- Voltage: 240VAC and 24VDC options.
- Quick and simple mounting for hassle-free installation.
- Cabinet Ventilation: Tailored for ventilating control cabinets and enclosures.
- Space-Saving: Compact size with small external dimensions
- Versatile Mounting: Compatible with various set-ups
- RAL7035
- IP Rating: IP54



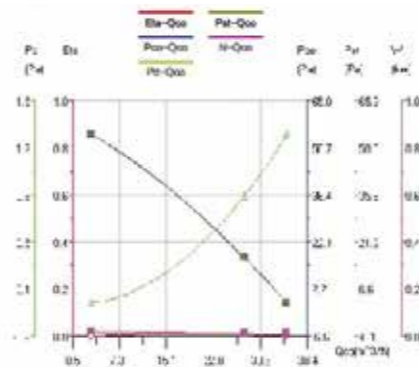
**FILTER AND FAN UNIT SPECIFICATIONS**

Model No.	PV1600BPB	PV1524BPTB
Rated operating voltage V	220V-240VAC	24VDC
Frequency Hz	50/60	-
Air throughput,unimpeded air flow	67m3/h	67m3/h
Air throughput with Exit filter including standard filter mat	55/70m3/h	55/70m3/h
Axial fan	Self-starting shaded pole motor	DC motor
Rated current max.	0.14-0.1A	0.43A
Rated Power	22W	7.2W
Noise level	45db/a	45db/a
Operating temperature range	-30°C - +70 °C	-30°C - +70 °C
Model No. Exit filter	PV1000BPB	
Material	Made of injection-moulded thermoplastic, customizable flame retardant material (UL94-40)	
Air flow direction	Air-in as default; air-out optional	
Protection Level	IP54	

**DIMENSIONS**



**CHARACTERISTICS OF STATIC PRESSURE**



**Features**

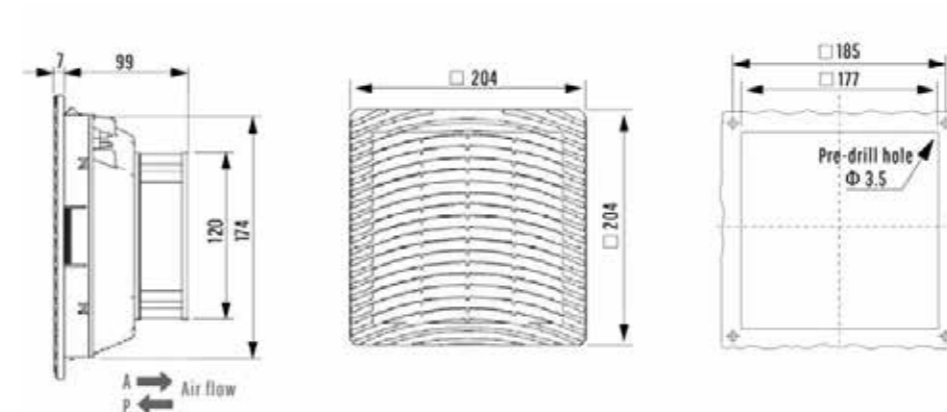
- Voltage: 240VAC and 24VDC options.
- Quick and simple mounting for hassle-free installation.
- Cabinet Ventilation: Tailored for ventilating control cabinets and enclosures.
- Space-Saving: Compact size with small external dimensions
- Versatile Mounting: Compatible with various set-ups
- RAL7035
- IP Rating: IP54



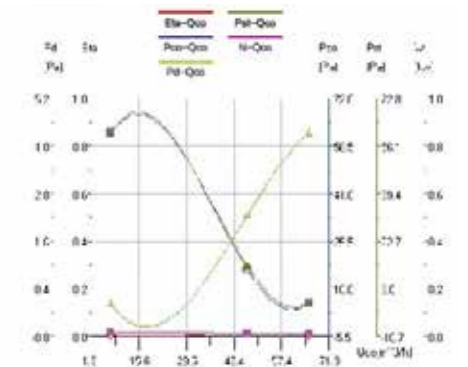
**FILTER AND FAN UNIT SPECIFICATIONS**

Model No.	PVB500BPB	PVB1524BPB
Rated operating voltage V	220V-240V	24VDC
Frequency Hz	50/60	-
Air throughput,unimpeded air flow	120m3/h	120m3/h
Air throughput with Exit filter including standard filter mat	85-100m3/h	85-100m3/h
Axial fan	Self-starting shaded pole motor	DC motor
Rated current max.	0.14-0.1A	0.43A
Rated Power	22W	7.2W
Noise level	41/42dB(A)	41dB(A)
Operating temperature range	-30°C - +70 °C	-30°C - +70 °C
Model No. Exit filter	PVB000BPB	
Material	Made of injection-moulded thermoplastic, customizable flame retardant material (UL94-40)	
Air flow direction	Air-in as default; air-out optional	
Protection Level	IP54	

**DIMENSIONS**



**CHARACTERISTICS OF STATIC PRESSURE**



## PV2300BPB INDUSTRIAL FILTER FAN

### Features

- Voltage: 240VAC
- Quick and simple mounting for hassle-free installation.
- Cabinet Ventilation: Tailored for ventilating control cabinets and enclosures.
- Space-Saving: Compact size with small external dimensions
- Versatile Mounting: Compatible with various set-ups
- RAL7035
- IP Rating: IP54



## PV2500BPB INDUSTRIAL FILTER FAN

### Features

- Voltage: 240VAC
- Quick and simple mounting for hassle-free installation.
- Cabinet Ventilation: Tailored for ventilating control cabinets and enclosures.
- Space-Saving: Compact size with small external dimensions
- Versatile Mounting: Compatible with various set-ups
- RAL7035
- IP Rating: IP54



## FILTER AND FAN UNIT SPECIFICATIONS

Model No.	PV2300BPB
Rated operating voltage V	220V-240V
Frequency Hz	50/60
Air throughput, unimpeded air flow	240m <sup>3</sup> /h
Air throughput with Exit filter including standard filter mat	120/150m <sup>3</sup> /h
Axial fan	Self-starting shaded pole motor
Rated current max.	0.24A/0.22A
Rated Power	38W
Noise level	50dB(A)
Operating temperature range	-30°C - +70 °C
Model No. Exit filter	PV2000BPB
Material	Made of injection-moulded thermoplastic, customizable flame retardant material (UL94-40)
Air flow direction	Air-in as default; air-out optional
Protection Level	IP54

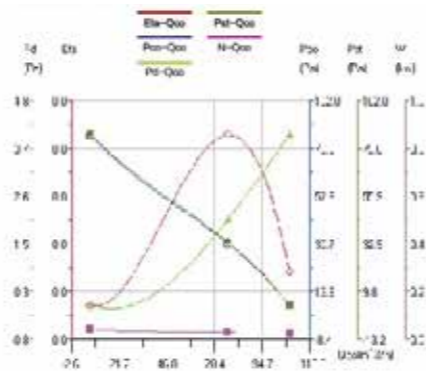
## FILTER AND FAN UNIT SPECIFICATIONS

Model No.	PV2500BPB
Rated operating voltage V	220V-240V
Frequency Hz	50/60
Air throughput, unimpeded air flow	265m <sup>3</sup> /h
Air throughput with Exit filter including standard filter mat	170/230m <sup>3</sup> /h
Axial fan	Self starting shaded pole motor
Rated current max.	0.30A/0.28A
Rated Power	46W
Noise level	52dB(A)
Operating temperature range	-30°C - +70 °C
Model No. Exit filter	PV2000BPB
Material	Made of injection-moulded thermoplastic, customizable flame retardant material (UL94-40)
Air flow direction	Air-in as default; air-out optional
Protection Level	IP54

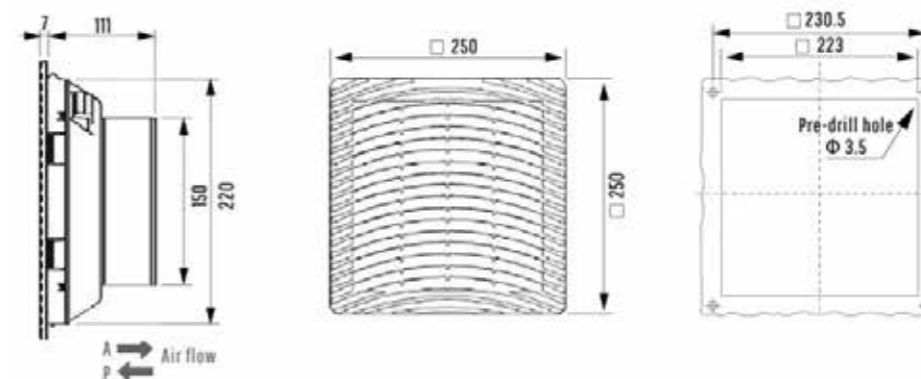
### DIMENSIONS



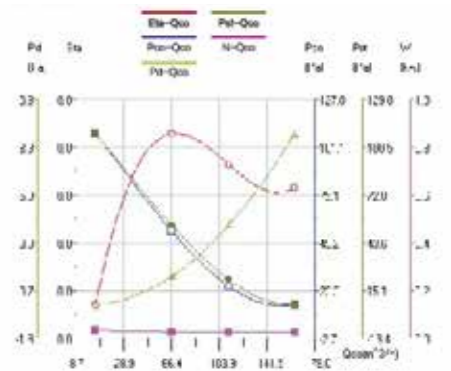
### CHARACTERISTICS OF STATIC PRESSURE



### DIMENSIONS



### CHARACTERISTICS OF STATIC PRESSURE



## PV3500BPB INDUSTRIAL FILTER FAN

### Features

- Voltage: 240VAC
- Quick and simple mounting for hassle-free installation.
- Cabinet Ventilation: Tailored for ventilating control cabinets and enclosures.
- Space-Saving: Compact size with small external dimensions
- Versatile Mounting: Compatible with various set-ups
- RAL7035
- IP Rating: IP54



## PV3600BPB INDUSTRIAL FILTER FAN

### Features

- Voltage: 240VAC
- Quick and simple mounting for hassle-free installation.
- Cabinet Ventilation: Tailored for ventilating control cabinets and enclosures.
- Space-Saving: Compact size with small external dimensions
- Versatile Mounting: Compatible with various set-ups
- RAL7035
- IP Rating: IP54



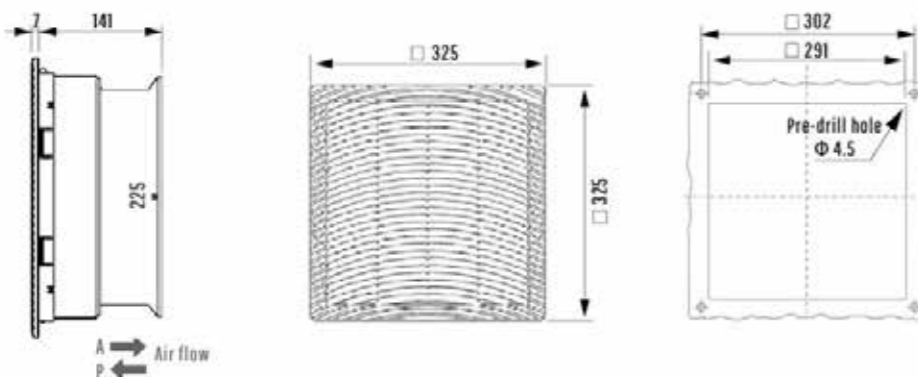
## FILTER AND FAN UNIT SPECIFICATIONS

Model No.	PV3500BPB
Rated operating voltage V	220V-240V
Frequency Hz	50/60
Air throughput, unimpeded air flow	600m <sup>3</sup> /h
Air throughput with Exit filter including standard filter mat	360/490m <sup>3</sup> /h
Axial fan	Capacitor operator
Rated current max.	0.29A
Rated Power	63W
Noise level	59dB(A)
Operating temperature range	-30°C - +70 °C
Model No. Exit filter	PV3000BPB
Material	Made of injection-moulded thermoplastic, customizable flame retardant material (UL94-40)
Air flow direction	Air-in as default; air-out optional
Protection Level	IP54

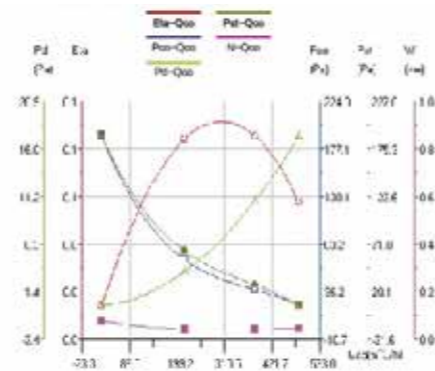
## FILTER AND FAN UNIT SPECIFICATIONS

Model No.	PV3600BPB
Rated operating voltage V	220V-240V
Frequency Hz	50/60
Air throughput, unimpeded air flow	800m <sup>3</sup> /h
Air throughput with Exit filter including standard filter mat	500/600m <sup>3</sup> /h
Axial fan	Capacitor operated
Rated current max.	0.65A
Rated Power	52W
Noise level	59dB(A)
Operating temperature range	-30°C - +70 °C
Model No. Exit filter	PV3000BPB
Material	Made of injection-moulded thermoplastic, customizable flame retardant material (UL94-40)
Air flow direction	Air-in as default; air-out optional
Protection Level	IP54

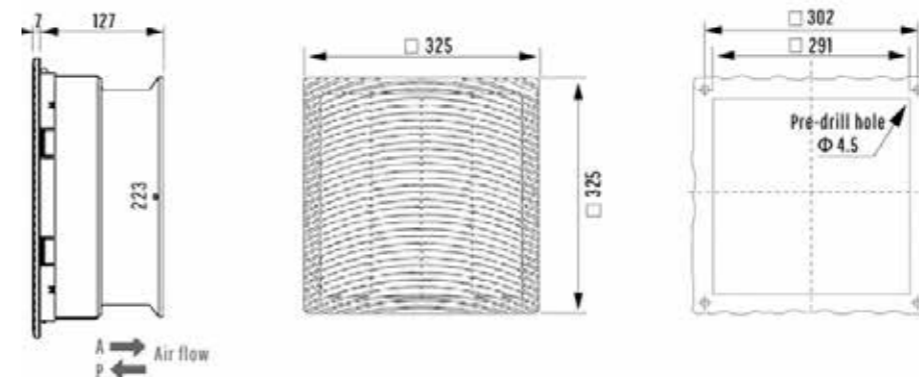
### DIMENSIONS



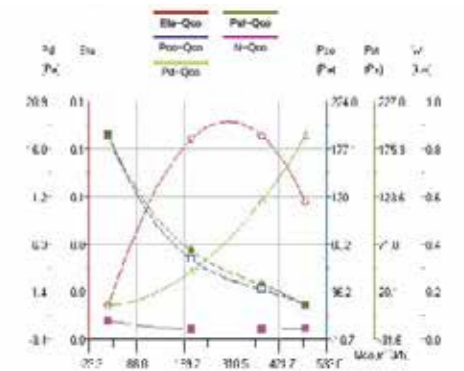
### CHARACTERISTICS OF STATIC PRESSURE



### DIMENSIONS



### CHARACTERISTICS OF STATIC PRESSURE



## EXCALIBUR ROOF TOP VENTILATION

### Features

- Enclosure roof top ventilation fan
- Efficiently Vents High Heat Loads
- Centrifugal Fan Design
- Compatible with Industrial Filter Unit Range



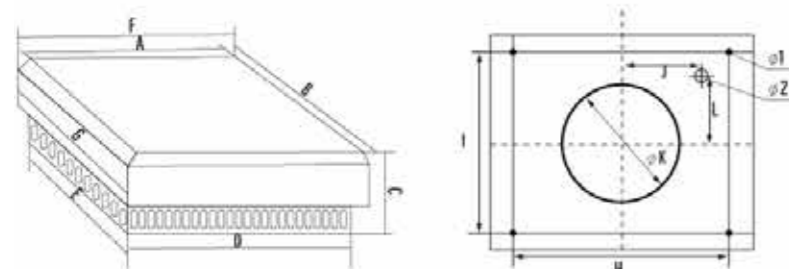
### SPECIFICATIONS

MODEL NO.	UNIT	PNTORRO600BF	PNTORRO860BF	PNTORRO1250BF
Rated voltage	V	230	230	230
Rated frequency	Hz	50/60	50/60	50/60
Air flow, Ventilation freely	m3/h	570-620	860-900	1200-1340
Axle flow blower		Capacitance electromotion	Capacitance electromotion	Capacitance electromotion
Rated current	A	0.34-0.26	0.40-0.38	0.88-0.60
Rated Power	W	75-58	90-85	200-135
Noise level	dB(A)	62-64	73-74	69-71
Operating temperature range	C	-10-+55	-10-+55	-10-+60
Colour	RAL	RAL 7035	RAL 7035	RAL 7035
Protection Category		IP54 standard, IP55 plus precision filter mat, IP56 plus precision filter mat and protective cover.		

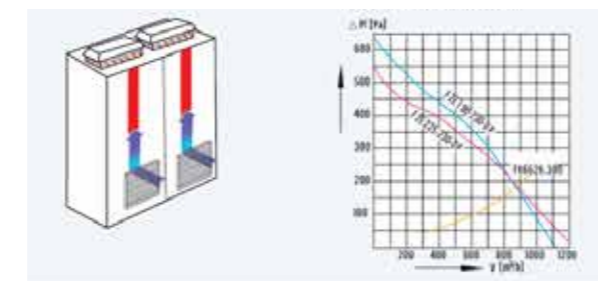
The quantity and size of the wind inlet filter can be decided according to the concrete requirement

Type	A/B	C	D/E	F/G	H/I	J	ΦK	Φ1	Φ2	L
PNTORRO600BF	270	130	267	310	226.8	98.4	195	7.8	15	97
PNTORRO860BF	270	130	267	310	226.8	98.4	195	7.8	15	97
PNTORRO1250BF	270	130	267	310	226.8	98.4	195	7.8	15	97

### DIMENSIONS



### POWER SPECIFIC PROPERTY CURVE



## EXCALIBUR 15W HEATER PVSHT15W

### Features

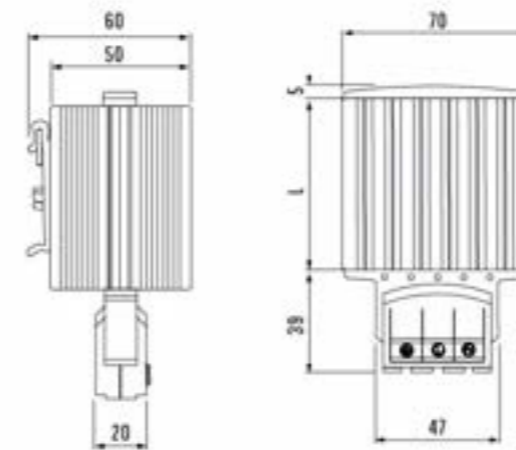
- Pressure clamp connectors
- Dynamic warm up
- Wide voltage range
- Aluminium profile heater body creates a chimney effect even heating
- Temperature limiting
- Energy saving
- Clip fixing
- Quick installation



### SPECIFICATIONS

MODEL NO.	PVSHT15W
Operating voltage	110-250V AC/DC
Heating Capacity	15W
Inrush Current max.	1.5W
Heating element	PTC resistor, self regulating and temperature limiting
Heater body	Extruded aluminium profile, anodised
Connection casing	3 pressure clamps for stranded wire 0.5-1.5mm <sup>2</sup> , (with wire and terrule) and rigid wire 0.5-2.5mm <sup>2</sup> , plastic according to UL94 V-0, black
Mounting	Clip for 35mm DIN rail, EN 50022
Fitting position	Vertical
Operating/Storage temperature	-4570°C (-49 +158°F)
Protection type/Protection class	IP20/1(earthed)
Certificate	CE
Length (mm)	70
Weight (kg)	0.25

### DIMENSIONS



### PROFILE VIEW



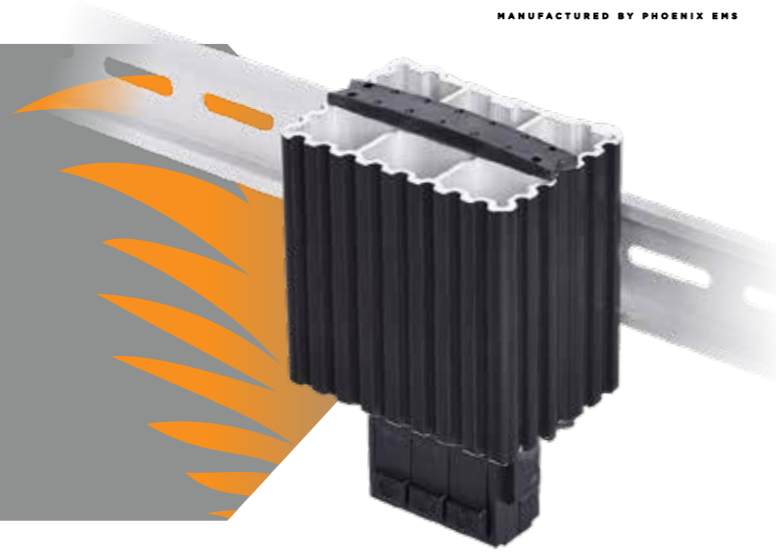
### CONNECTION DIAGRAMS



## EXCALIBUR 30W HEATER PVSHT30W

### Features

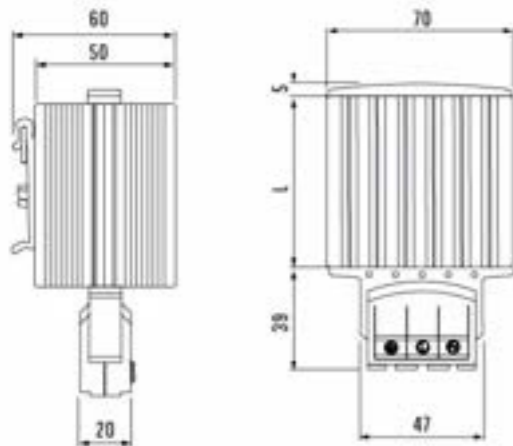
- Pressure clamp connectors
- Dynamic warm up
- Wide voltage range
- Aluminium profile heater body creates a chimney effect even heating
- Temperature limiting
- Energy saving
- Clip fixing
- Quick installation



### SPECIFICATIONS

MODEL NO.	PVSHT30W
Operating voltage	110-250V AC/DC
Heating Capacity	30W
Inrush Current max.	2.5W
Heating element	PTC resistor, self regulating and temperature limiting
Heater body	Extruded aluminium profile, anodised
Connection casing	3 pressure clamps for stranded wire 0.5-1.5mm <sup>2</sup> , (with wire and ferrule) and rigid wire 0.5-2.5mm <sup>2</sup> , plastic according to UL94 V-0, black
Mounting	Clip for 35mm DIN rail, EN 50022
Fitting position	Vertical
Operating/Storage temperature	-4570°C (-49 +158°F)
Protection type/Protection class	IP20/1(earthed)
Certificate	CE
Length (mm)	70
Weight (kg)	0.25

#### DIMENSIONS



PROFILE VIEW



#### CONNECTION DIAGRAMS



## EXCALIBUR 45W HEATER PVSHT45W

### Features

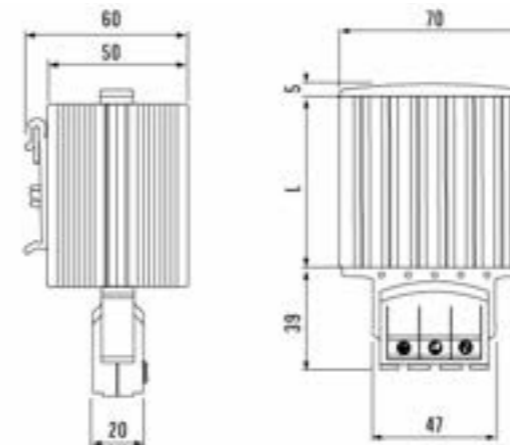
- Pressure clamp connectors
- Dynamic warm up
- Wide voltage range
- Aluminium profile heater body creates a chimney effect even heating
- Temperature limiting
- Energy saving
- Clip fixing
- Quick installation



### SPECIFICATIONS

MODEL NO.	PVSHT45W
Operating voltage	110-250V AC/DC
Heating Capacity	45W
Inrush current max.	3.0W
Heating element	PTC resistor, self regulating and temperature limiting
Heater body	Extruded aluminium profile, anodised
Connection casing	3 pressure clamps for stranded wire 0.5-1.5mm <sup>2</sup> , (with wire and ferrule) and rigid wire 0.5-2.5mm <sup>2</sup> , plastic according to UL94 V-0, black
Mounting	Clip for 35mm DIN rail, EN 50022
Fitting position	Vertical
Operating/Storage temperature	-4570°C (-49 +158°F)
Protection type/Protection class	IP20/1(earthed)
Certificate	CE
Length (mm)	70
Weight (kg)	0.25

#### DIMENSIONS



PROFILE VIEW



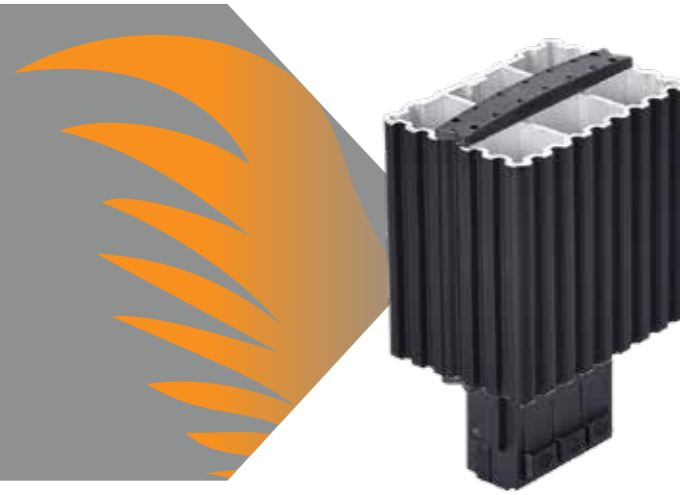
#### CONNECTION DIAGRAMS



## EXCALIBUR 60W HEATER PVSHT60W

### Features

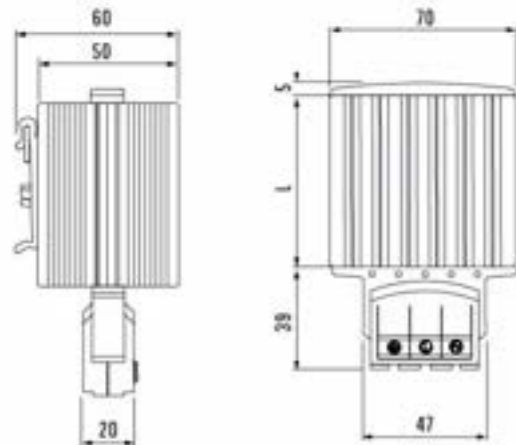
- Pressure clamp connectors
- Dynamic warm up
- Wide voltage range
- Aluminium profile heater body creates a chimney effect even heating
- Temperature limiting
- Energy saving
- Clip fixing
- Quick installation



### SPECIFICATIONS

MODEL NO.	PVSHT60W
Operating voltage	110-250V AC/DC
Heating Capacity	60W
Inrush Current max.	3.5W
Heating element	PTC resistor, self regulating and temperature limiting
Heater body	Extruded aluminium profile, anodised
Connection casing	3 pressure clamps for stranded wire 0.5-1.5mm <sup>2</sup> , (with wire and ferrule) and rigid wire 0.5-2.5mm <sup>2</sup> , plastic according to UL94 V-0, black
Mounting	Clip for 35mm DIN rail, EN 50022
Fitting position	Vertical
Operating/Storage temperature	-45/70°C (-49 +158°F)
Protection type/Protection class	IP20/1(earthed)
Certificate	CE
Length (mm)	70
Weight (kg)	0.25

#### DIMENSIONS



#### PROFILE VIEW



#### CONNECTION DIAGRAMS



## EXCALIBUR 75W HEATER PVSHT75W

### Features

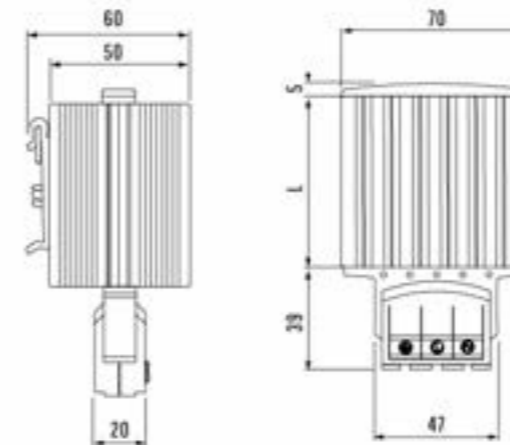
- Pressure clamp connectors
- Dynamic warm up
- Wide voltage range
- Aluminium profile heater body creates a chimney effect even heating
- Temperature limiting
- Energy saving
- Clip fixing
- Quick installation



### SPECIFICATIONS

MODEL NO.	PVSHT75W
Operating voltage	110-250V AC/DC
Heating Capacity	75W
Inrush Current max.	3.5W
Heating element	PTC resistor, self regulating and temperature limiting
Heater body	Extruded aluminium profile, anodised
Connection casing	3 pressure clamps for stranded wire 0.5-1.5mm <sup>2</sup> , (with wire and ferrule) and rigid wire 0.5-2.5mm <sup>2</sup> , plastic according to UL94 V-0, black
Mounting	Clip for 35mm DIN rail, EN 50022
Fitting position	Vertical
Operating/Storage temperature	-45/70°C (-49 +158°F)
Protection type/Protection class	IP20/1(earthed)
Certificate	CE
Length (mm)	70
Weight (kg)	0.25

#### DIMENSIONS



#### PROFILE VIEW



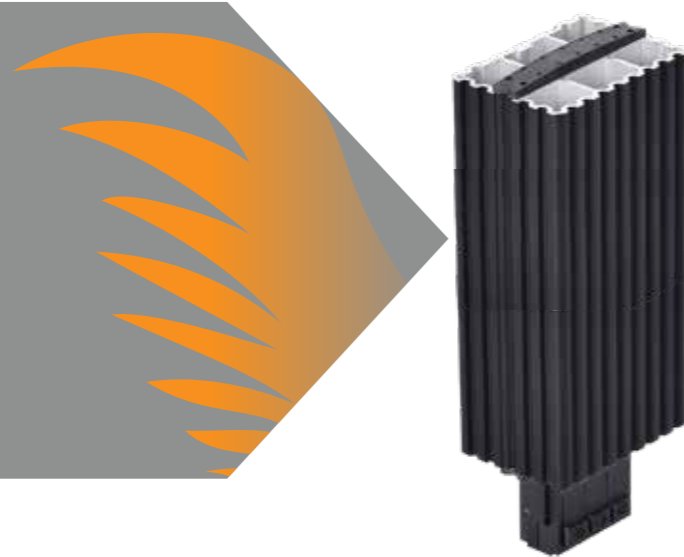
#### CONNECTION DIAGRAMS



## EXCALIBUR 100W HEATER PVSHT150W

### Features

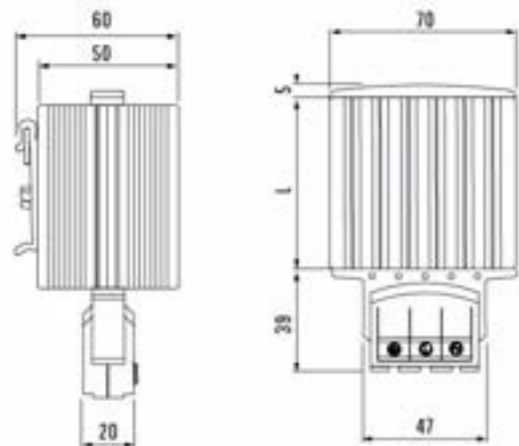
- Pressure clamp connectors
- Dynamic warm up
- Wide voltage range
- Aluminium profile heater body creates a chimney effect even heating
- Temperature limiting
- Energy saving
- Clip fixing
- Quick installation



### SPECIFICATIONS

MODEL NO.	PVSHT100W
Operating voltage	110-250V AC/DC
Heating Capacity	100W
Inrush Current max.	4.5W
Heating element	PTC resistor, self regulating and temperature limiting
Heater body	Extruded aluminium profile, anodised
Connection casing	3 pressure clamps for stranded wire 0.5-1.5mm <sup>2</sup> , (with wire and ferrule) and rigid wire 0.5-2.5mm <sup>2</sup> , plastic according to UL94 V-0, black
Mounting	Clip for 35mm DIN rail, EN 50022
Fitting position	Vertical
Operating/Storage temperature	-4570°C (-49 +158°F)
Protection type/Protection class	IP20/1 (earthed)
Certificate	CE
Length (mm)	140
Weight (kg)	0.40

#### DIMENSIONS



PROFILE VIEW



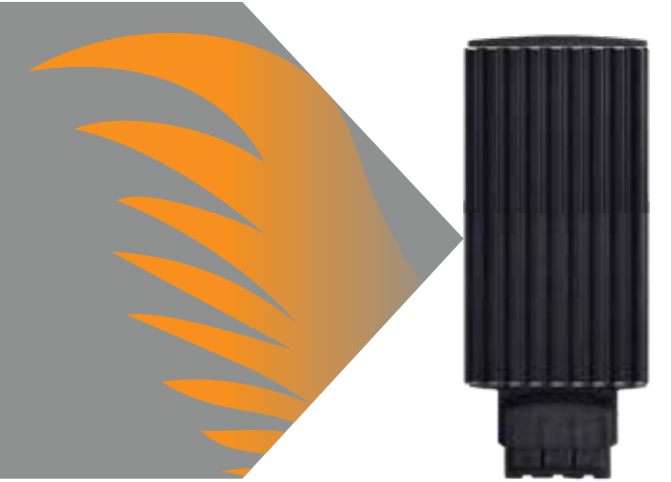
#### CONNECTION DIAGRAMS



## EXCALIBUR 150W HEATER PVSHT150W

### Features

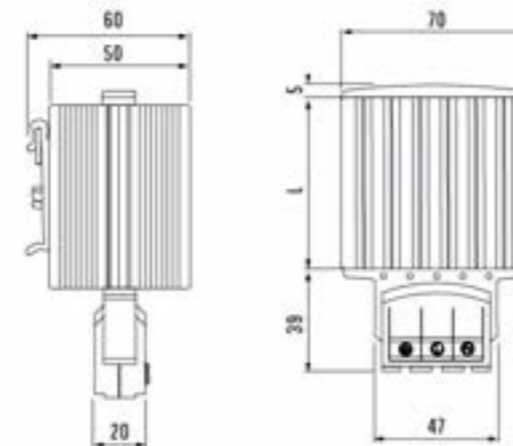
- Pressure clamp connectors
- Dynamic warm up
- Wide voltage range
- Aluminium profile heater body creates a chimney effect even heating
- Temperature limiting
- Energy saving
- Clip fixing
- Quick installation



### SPECIFICATIONS

MODEL NO.	PVSHT150W
Operating voltage	110-250V AC/DC
Heating Capacity	150W
Inrush Current max.	9W
Heating element	PTC resistor, self regulating and temperature limiting
Heater body	Extruded aluminium profile, anodised
Connection casing	3 pressure clamps for stranded wire 0.5-1.5mm <sup>2</sup> , (with wire and ferrule) and rigid wire 0.5-2.5mm <sup>2</sup> , plastic according to UL94 V-0, black
Mounting	Clip for 35mm DIN rail, EN 50022
Fitting position	Vertical
Operating/Storage temperature	-4570°C (-49 +158°F)
Protection type/Protection class	IP20/1 (earthed)
Certificate	CE
Length (mm)	140
Weight (kg)	0.40

#### DIMENSIONS



PROFILE VIEW



#### CONNECTION DIAGRAMS



## EXCALIBUR PVHTR2 THERMOSTAT

### Features

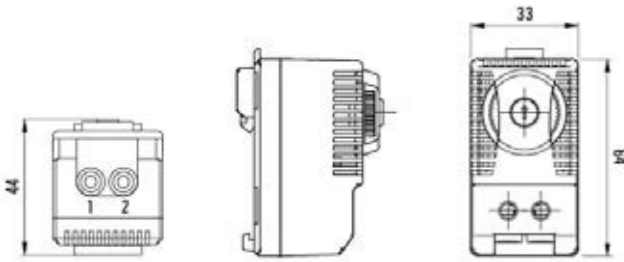
- Thermostat (normally closed)
- Large setting range
- Simple to mount
- High switching performance



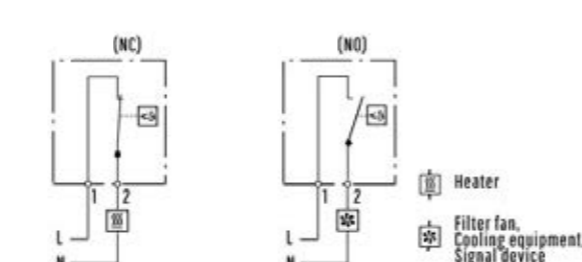
## SPECIFICATIONS

MODEL NO.	PVHTR2
Temperature range	0-+60 °C
NC (Normally closed)	When the temperature reaches the set value, open circuit
NO (Normally open)	When the temperature exceeds the set value action, closed circuit
Switch temperature difference	7K (+4K tolerance)
Sensor element	Thermostatic bi-metal Snap-action
Contact type	<10m ohm (Incidental connection line) >100,000 cycles
Contact resistance Service life	250VAC,10(2)A, 120VAC,15(2)A, 30WDC at 24VDC to 72VDC
Max. Switching capacity Connection	2-pole terminal, clamping torque 0.5Nm max.:rigid wire 2.5mm <sup>2</sup> , stranded wire (with wire end ferrule) 1.5mm <sup>2</sup>
Casing	Plastic according to UL94 V-0, light grey
Installation	35mm DIN Installation guide
Dimensions	64 x 33 x 44mm
Weight	41.5g
Fitting position	Variable
Operating/Storage temperature	-20-+80 °C
Protection type	IP20
Approvals	CE

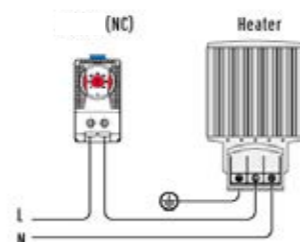
### DIMENSIONS



### CONNECTION DIAGRAMS



### EXAMPLES OF CONNECTION



## EXCALIBUR PVHTV2 THERMOSTAT

### Features

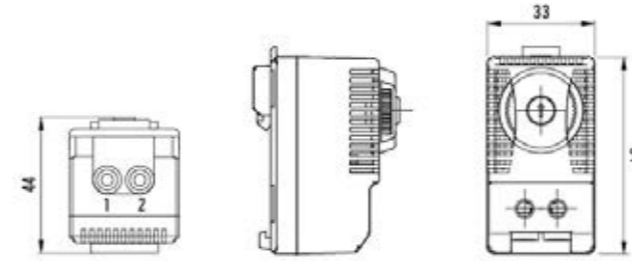
- Thermostat (normally open)
- Contact maker for regulating filter fans and heat exchangers or for switching signal device when temperature limit has been exceeded
- Large setting range
- Simple to mount
- High switching performance



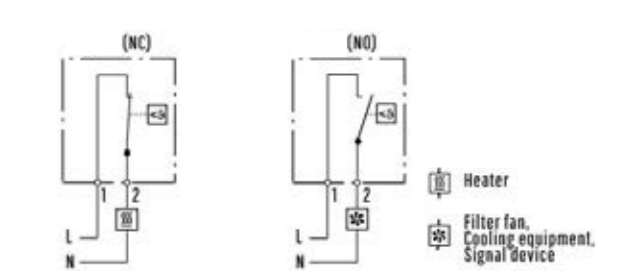
## SPECIFICATIONS

MODEL NO.	PVHTV2
Temperature range	0-+60 °C
NO (Normally open)	When the temperature exceeds the set value action, closed circuit
Switch temperature difference	7K (+4K tolerance)
Sensor element	Thermostatic bi-metal Snap-action
Contact type	<10m ohm (Incidental connection line) >100,000 cycles
Contact resistance Service life	250VAC,10(2)A, 120VAC,15(2)A, 30WDC at 24VDC to 72VDC
Max. Switching capacity Connection	2-pole terminal, clamping torque 0.5Nm max.:rigid wire 2.5mm <sup>2</sup> , stranded wire (with wire end ferrule) 1.5mm <sup>2</sup>
Casing	Plastic according to UL94 V-0, light grey
Installation	35mm DIN Installation guide
Dimensions	64 x 33 x 44mm
Weight	41.5g
Fitting position	Variable
Operating/Storage temperature	-20-+80 °C
Protection type	IP20
Approvals	CE

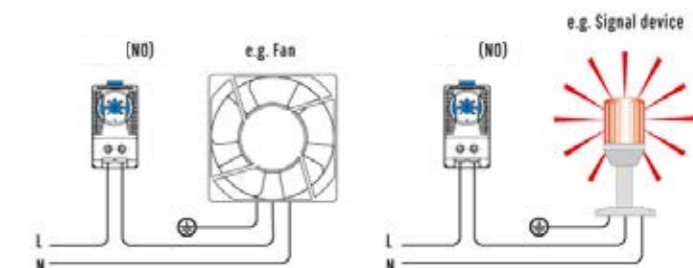
### DIMENSIONS



### CONNECTION DIAGRAMS



### EXAMPLES OF CONNECTION





## VALUE-ADD SERVICES

PHOENIX EMS OFFERS IN-HOUSE ELECTRICAL ENGINEERING DESIGN, ASSEMBLY, WIRING SOLUTIONS, AND COMPREHENSIVE FAT & DOCUMENTATION SERVICES. TAILORED FOR DIVERSE PROJECTS AND MARKET SEGMENTS, WE PROVIDE KEY CLIENTS WITH STREAMLINED SUPPORT FROM START TO FINISH.

## MANUFACTURING CAPABILITIES



### TURNKEY ELECTRICAL & MECHANICAL MANUFACTURING

Phoenix Engineering & Manufacturing Solutions is a multi-disciplined IP business operating across Australia with manufacturing facilities located in Newcastle NSW, Perth and Brisbane, Australia, with autonomous manufacturing facilities spanning across 4,000m<sup>2</sup>, including sales & administrations offices, warehouse, workshops hardstand areas. Specialising in both electrical and mechanical manufacturing,

Phoenix EMS supplies leading electrical and mechanical products, value-add solutions, engineering services & professional support services to our valued clients.

### MECHANICAL MANUFACTURING



#### Laser Cutting + Rotary Laser

Phoenix EMS mechanical division offers Fibre Laser cutting services for both flat sheet & rotary pipe cutting. The Lasers provide advanced, computer controlled manufacturing process that provides precision and repeatability at a distinct cost advantage. Cutting can be applied to a wide range of materials with minimal impact on the material structure. Eliminating the need to 'tool up', short lead times and short production runs become a viable option with laser cutting.



#### Welding and Radial Drilling

Where high volume welding of components or parts is required, hi-tech welding equipment and radial drilling can provide the solution you need. Precision welding, along with our automated laser cutting and press brake technology, allows us to produce large quantities of identical parts, with the added bonus of fast turnaround and repeatability.



#### Fabrication

Phoenix EMS in-house fabrication facility compliments all aspects of project delivery and supports our electrical & mechanical product groups. We provide light to medium manufacturing in all materials.



#### Bending and Folding

Phoenix EMS offers CNC bending and forming press brakes to simplify programming, eliminating trial bending and providing accurate, repeatable results. Our CNC press brake equipment is the perfect compliment to our advanced laser cutting technology, and allows us to provide full service solutions where state-of-the-art manufacturing methods are required.



#### Powder coating

Phoenix EMS provides in-house powder-coating facilities with advanced application equipment & high efficiency oven to support our manufacturing processes. This equipment compliments our products and services and allows full control of project delivery in-house controlling



#### Pour in Place Polyurethane Electrical Enclosure Gasket Machine

Phoenix EMS provides a in-house polyurethane pour-in place gasket machine to maintain and comply with our Austest certifications IP66 for all Excalibur Electrical Enclosures.





## INDUSTRY APPROVED VISIBLE BREAK ISOLATORS & LOCAL CONTROL STATIONS

Phoenix EMS is a market leader in enclosures specialising in the design and manufacture of custom local control stations and isolators including an extensive range of visible break solutions. Our high quality, fully engineered, customised solutions are the very best the industry has to offer.

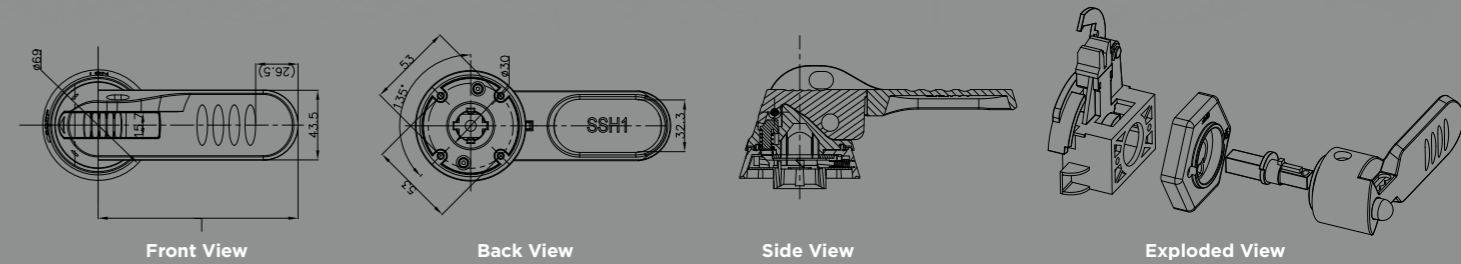
Phoenix EMS LCS are specified and installed in the following sectors:

- Mining - coal & metalliferous
- Stackers/reclaimers/ship loaders
- Materials handling
- Chemical
- Concrete & quarries
- Heavy industry
- Petrochemical/oil and gas
- Fuel farms
- Reclaim tunnels (DIP)
- Coal handling & processing plants
- Mine infrastructure
- Water & sewerage
- Steel making
- Lithium & specialised metals

### GENERAL SPECIFICATIONS

- Isolators up to 3000A
- IP66 rating
- Construction 1.5mm - 2mm
- 316 SS (other options available upon request)
- 37 degree sloped roof versions
- 2B or N4 finish
- Viewing windows
- Phoenix stainless steel front & side mount handles to suit all brands of isolators ABB/Schneider/Legrand/Dumeco/Socomec
- LED lighting solutions
- Polyurethane gaskets
- Rear turn busbar options for large cables
- Sized for ease of site installation
- Custom designs to suit client specifications
- Gland plates available in all materials
- Complete turnkey wired solutions
- Panels can be provided to suit site preferred equipment

### PHOENIX STAINLESS STEEL SIDE MOUNT & FRONT MOUNT HANDLE CONFIGURATIONS

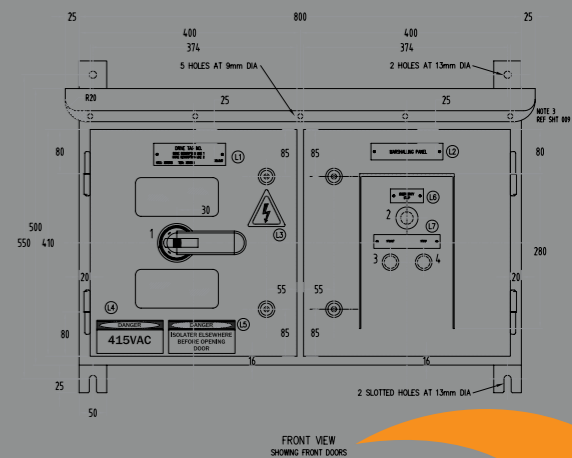


Phoenix EMS offers a high-quality range of stainless steel isolator handles that conforms to all lockout requirements and are available in both front and side mount options. Phoenix EMS handles are designed to fit the following switches: Dumeco, ABB, Socomec, Legrand, Schneider

### ENGINEERED PROJECT PACKAGES

Phoenix EMS provides an end-to-end in-house engineering service that specialises in the design of local control stations and isolators to meet customer and application requirements. Phoenix EMS also offers custom turnkey design packages to suit every customer and application.

- LCS/isolator specifications
- Engineering design
- Detailed drawings
- Bill of materials (BOM's)
- Manufacturing
- Electrical wiring
- Testing and commissioning
- Project documentation





**ISO**  
CONNECT

# PHOENIX ISO-CONNECT

VISIBLE BREAK ISOLATORS  
ENCLOSED ISOLATORS  
CHANGEOVER PANELS  
DECONTACTOR STATIONS  
BATTERY ISOLATION ENCLOSURES  
PUSHBUTTON STATIONS  
LOCAL CONTROL STATIONS

[phoenixems.com.au](http://phoenixems.com.au)



# PHOENIX FIELD-CONNECT

CUSTOM SOLUTIONS  
FOR MINING  
APPLICATIONS

[phoenixems.com.au](http://phoenixems.com.au)





# UNRIVALED ENGINEERING & MANUFACTURING SOLUTIONS

## Industry Leaders in Enclosures

Excalibur Enclosures are a world leader in the manufacture and supply of a diverse range of Electrical Enclosures and value add solutions for Industry. With over 25 years of proven manufacturing capability and a large installed base Excalibur represents a quality customer choice for both standard and custom enclosure solutions from concept to completion.



JCDM PHOENIX CATALOGUE 2024 V2



For more information  
Call 0800 367 229 | [sales@colterlec.co.nz](mailto:sales@colterlec.co.nz) | [www.colterlec.co.nz](http://www.colterlec.co.nz)