

MMECHAN CONTROLS

Product Overview Catalogue



Who Are Mechan Controls?

A leading design and manufacturer of machine guard safety products, Mechan Controls specializes in the production of non-contact safety switches, mechanical interlocks, light curtains, safety control units, E/stops, grabwires, tongue interlocks and much more. It operates throughout the world, providing its customers with durable, cost-effective machine guard safety products that have proven their reliability in some of industry's harshest, most demanding environments for over 50 years.

Based in the United Kingdom, Mechan Controls first opened its doors in 1972, producing the worlds first RFID safety switch. Since then, Mechan Controls has developed an enviable reputation as the industry leader.

Where are we?

You can find Mechan Controls in all sectors of industry:



Food



Beverage



Pharmaceutical



Automation



Agriculture



Robotics

Contents Table

Non-Contact Safety Switches

Magnasafe Series Pg 1-8

HE Series Pg 9-17

S-TYPE Range Pg 18-19

R-TYPE Range Pg 20-23

O-TYPE Range Pg 24-28

Hygienic Series Pg 29-34

ATEX Series Pg 35-37

Non-Programmable Safety Relays Pg 38-42

EM Series

GM Series

SRL Series

Solenoid Interlock Pg 43-45

Tongue Guard Interlock Pg 46-48

TurnCam Hinge Safety Switches Pg 49-51

Grab Wire Pg 52-54

MK-Safe Key Exchange Pg 55-65

Emergency Stop Devices Pg 66-68

Imperium Control Station Pg 69-72

ISIS Range Pg 73-75

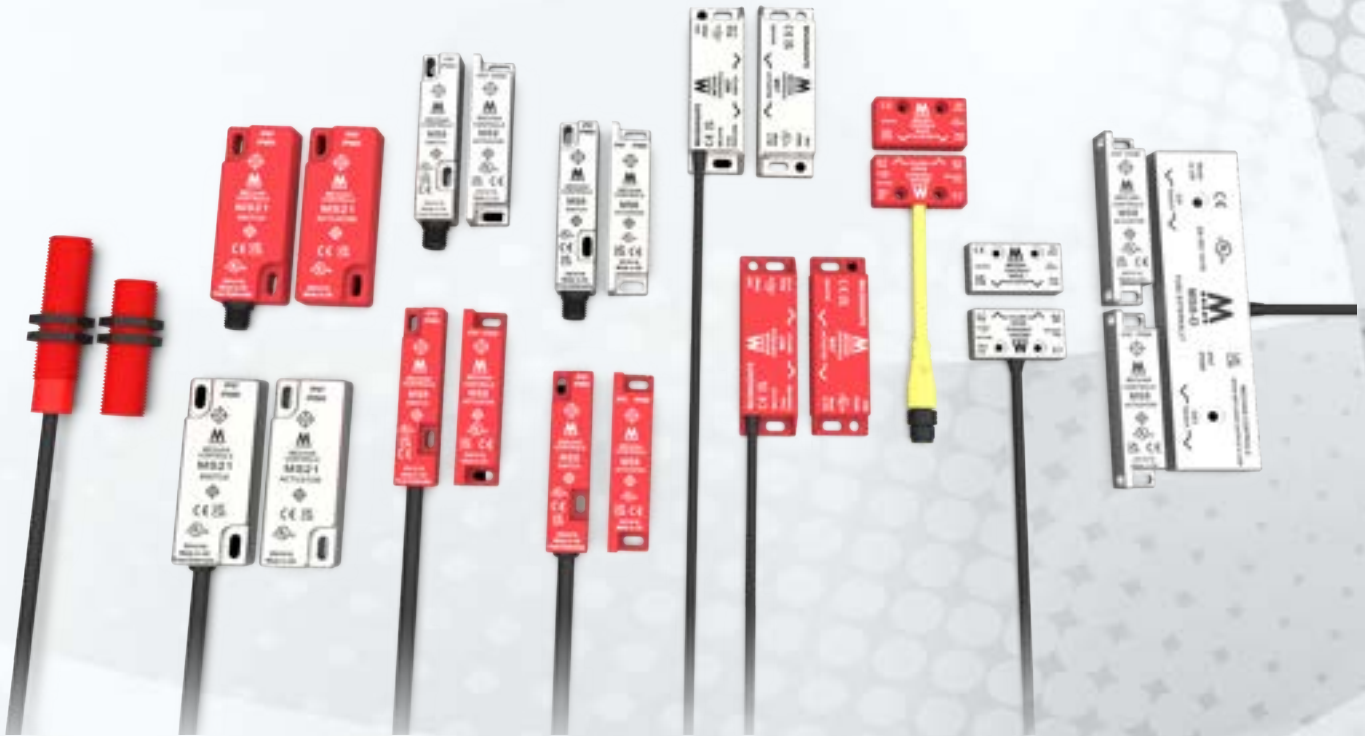
F-Series Pg 76-79

MPX Range Pg 80-82

NON-CONTACT SAFETY SWITCHES

MAGNASAFE RANGE

The Magnasafe Range is Mechan's first range of non-contact safety switches with magnetic technology.



The Magnasafe range are magnetically operated safety switches. Easy to install and maintain, they are fully encapsulated non-contact switches ideal for long term use in harsh / wet environments. Available in a wide variety of sizes and contact configurations, MAGNASAFE is suitable for machine guarding applications where guard locking is not required.

Tolerant to misalignment, the MAGNASAFE range of non-contact safety switches are suitable for use in wash-down areas, making them ideal for use in the food processing / filling and packing industries as well as many other non-locking machine guard applications.

Operation



The Magnasafe range is magnetically operated, they use high quality reeds and magnets to open and close the safety / auxiliary contacts. Mechan Controls describe the state of the safety contacts as N/O (normally open) and the auxiliary contact as N/C (normally closed) when the door is open and not within operating distance.

Volt Free Outputs

The Magnasafe range uses volt free contact outputs. Volt free contacts are invariably mechanical contacts with no electrical connection to any other part of the equipment, with the contacts being open and closed mechanically by the corresponding actuator. In order to form a safety circuit, a connection to monitored safety inputs is required.

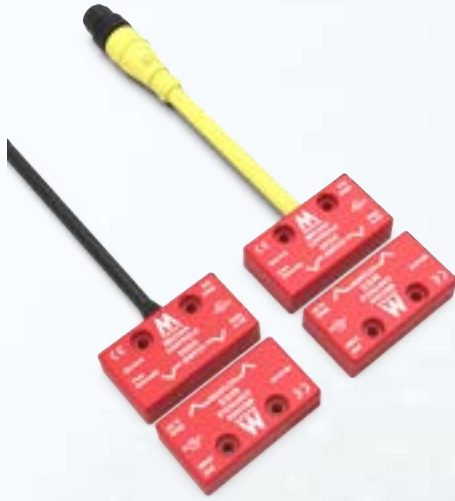
Compliance

The Magnasafe range is available with a wide selection of contact configurations. The dual channel versions meet the requirements of CAT4, SIL3, PL-e in accordance with ISO 13849-1 and IEC 62061. Following the guidelines set out in EN14119, the Magnasafe range is suitable for most non-locking applications.

NON-CONTACT SAFETY SWITCHES

Product Selection

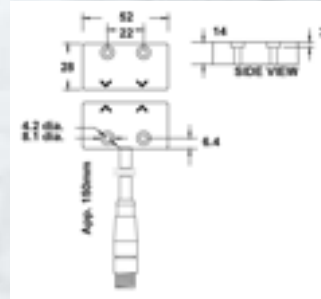
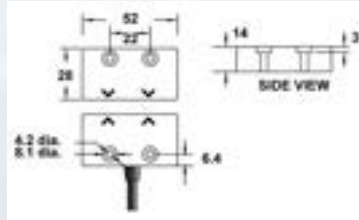
MS5 Compact Plastic Safety Switch



- ABS Housing, Compact Design
- 22mm Industry Standard Fixing
- IP67, IP69K Tested
- 500mA Safety Output Rating
- Cost Effective Design, Ideal for OEM's
- Pre-wired & M12 options
- Tolerant to Misalignment

Stock Code	Part Description	Safety Contacts	Aux Contact	Supply	Connection
354.050	MS5-21-DC-03M	2	1	DC	03 metre pre-wired
354.062	MS5-21-DC-06M	2	1	DC	06 metre pre-wired
354.061	MS5-21-DC-10M	2	1	DC	10 metre pre-wired
354.056	MS5-21-DC-LQD	2	1	DC	6-PIN M12 150mm
Cable Accessories for LQD version					
360.004	Cable 6 Core 5m	-	-	-	6-PIN M12 5M
360.012	Cable 6 Core 10m	-	-	-	6-PIN M12 10M

Quality Marks:



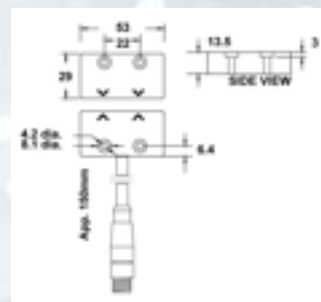
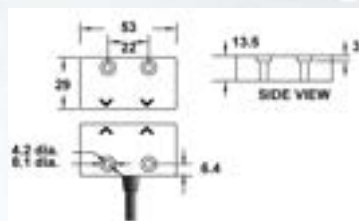
MS5 Compact Stainless Steel Safety Switch



- 316 Stainless Steel Housing
- 22mm Industry Standard Fixing
- IP67, IP69K Tested
- 500mA Safety Output Rating
- Cost Effective Design, Ideal for OEM's
- Suitable for Strict Washdown Environments
- Pre-wired & M12 options
- High Temperature Versions Available (+125c)

Stock Code	Part Description	Safety Contacts	Aux Contact	Supply	Connection
354.050	MS5-SS-21-DC-03M	2	1	DC	03 metre pre-wired
354.062	MS5-SS-21-DC-06M	2	1	DC	06 metre pre-wired
354.061	MS5-SS-21-DC-10M	2	1	DC	10 metre pre-wired
354.056	MS5-SS-21-DC-LQD	2	1	DC	6-PIN M12 150mm
354.057	MS5-SS-21-DC-05M-HT	2	1	DC	05 metre high temp cable
Cable Accessories for LQD version					
360.004	Cable 6 Core 5m	-	-	-	6-PIN M12 5M
360.012	Cable 6 Core 10m	-	-	-	6-PIN M12 10M

Quality Marks:



NON-CONTACT SAFETY SWITCHES

MS7 Coded Plastic Safety Switch



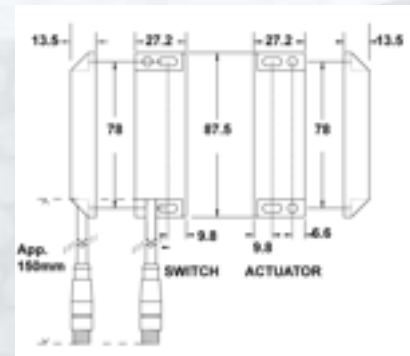
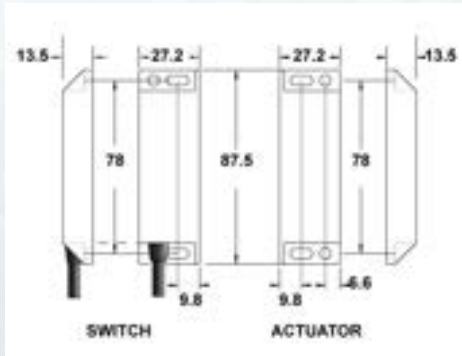
- ABS Housing
- Tamper Resistant Design
- IP67, IP69K Tested
- 500mA Safety Output Rating
- Fixed or Adjustable Mounting Holes
- European Standard Housing
- Pre-wired & M12 Options
- Tolerant to Misalignment

Stock Code	Part Description	Safety Contacts	Aux Contact	Supply	Connection
357.000	MS7-21-DC-03M	2	1	DC	03 metre pre-wired
357.005	MS7-30-DC-03M	3	0	DC	03 metre pre-wired
357.001	MS7-21-DC-06M	2	1	DC	06 metre pre-wired
357.012	MS7-30-DC-06M	3	0	DC	06 metre pre-wired
357.003	MS7-21-DC-10M	2	1	DC	10 metre pre-wired
357.009	MS7-21-DC-LQD	2	1	DC	6-PIN M12 150mm

Cable Accessories for LQD version

360.004	Cable 6 Core 5m	-	-	-	6-PIN M12 5M
360.012	Cable 6 Core 10m	-	-	-	6-PIN M12 10M

Quality Marks:



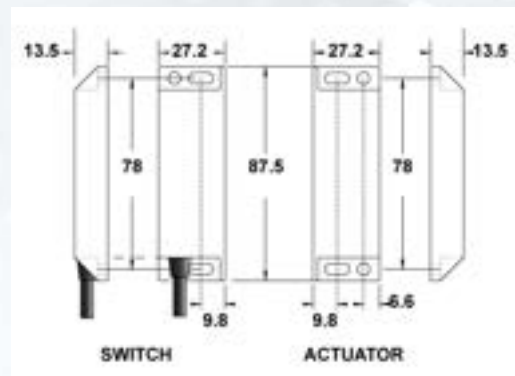
MS7 Coded Stainless Steel Safety Switch



- 316 Stainless Steel Housing
- Tamper Resistant Design
- IP67, IP69K Tested
- 500mA Safety Output Rating
- Fixed or Adjustable Mounting Holes
- European Standard Housing
- Pre-wired & M12 Options
- Tolerant to Misalignment

Stock Code	Part Description	Safety Contacts	Aux Contact	Supply	Connection
357.020	MS7-SS-21-DC-03M	2	1	DC	03 metre pre-wired
357.022	MS7-SS-30-DC-03M	3	0	DC	03 metre pre-wired
357.021	MS7-SS-21-DC-05M	2	1	DC	05 metre pre-wired
357.023	MS7-SS-21-DC-10M	2	1	DC	10 metre pre-wired

Quality Marks:

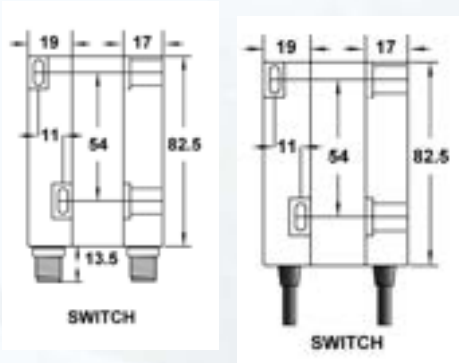


NON-CONTACT SAFETY SWITCHES

MS6 Slim-line Plastic Safety Switch



Quality Marks:



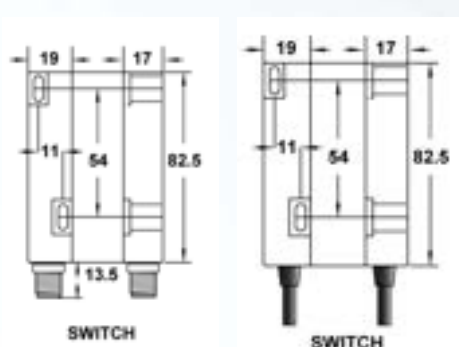
- ABS Housing
- Slim-line Design
- IP67, IP69K Tested
- 1Amp Safety Output Rating
- AC or DC Versions Available
- 10mm Operating Distance
- Pre-wired & M12 QD options
- Tolerant to Misalignment

Stock Code	Part Description	Safety Contacts	Aux Contact	Supply	Connection
356.000	MS6-10-DC-03M	1	0	DC	03 metre pre-wired
356.001	MS6-10-DC-06M	1	0	DC	06 metre pre-wired
356.016	MS6-10-DC-QD	1	0	DC	4-PIN M12 Plug
356.002	MS6-11-DC-03M	1	1	DC	03 metre pre-wired
356.003	MS6-11-DC-06M	1	1	DC	06 metre pre-wired
356.017	MS6-11-DC-QD	1	1	DC	4-PIN M12 Plug
356.004	MS6-20-DC-03M	2	0	DC	03 metre pre-wired
356.005	MS6-20-DC-06M	2	0	DC	06 metre pre-wired
356.018	MS6-20-DC-QD	2	0	DC	4-PIN M12 Plug
356.006	MS6-21-DC-03M	2	1	DC	03 metre pre-wired
356.007	MS6-21-DC-06M	2	1	DC	06 metre pre-wired
356.019	MS6-21-DC-QD	2	1	DC	6-PIN M12 Plug
Cable Accessories for QD versions					
356.071	Cable 4 Core 5m	-	-	-	4-PIN M12 5M
356.072	Cable 4 Core 10m	-	-	-	4-PIN M12 10M
360.004	Cable 6 Core 5m	-	-	-	6-PIN M12 5M
360.012	Cable 6 Core 10m	-	-	-	6-PIN M12 10M

MS6 Slim-line Stainless Steel Safety Switch



Quality Marks:



- 316 Stainless Steel Housing
- Slim-line Design
- IP67, IP69K Tested
- 1Amp Safety Output Rating
- AC or DC Versions Available
- 8-10mm Operating Distance
- Pre-wired & M12 QD options
- Tolerant to Misalignment

Stock Code	Part Description	Safety Contacts	Aux Contact	Supply	Connection
356.050	MS6-SS-10-DC-03M	1	0	DC	03 metre pre-wired
356.058	MS6-SS-10-DC-06M	1	0	DC	06 metre pre-wired
356.051	MS6-SS-11-DC-03M	1	1	DC	03 metre pre-wired
356.085	MS6-SS-11-DC-06M	1	1	DC	06 metre pre-wired
356.064	MS6-SS-11-DC-QD	1	1	DC	4-PIN M12 Plug
356.052	MS6-SS-20-DC-03M	2	0	DC	03 metre pre-wired
356.057	MS6-SS-20-DC-06M	2	0	DC	06 metre pre-wired
356.063	MS6-SS-21-DC-03M	2	1	DC	03 metre pre-wired
356.078	MS6-SS-21-DC-06M	2	1	DC	06 metre pre-wired
356.069	MS6-SS-21-DC-QD	2	1	DC	6-PIN M12 Plug
Cable Accessories for QD versions					
356.071	Cable 4 Core 5m	-	-	-	4-PIN M12 5M
356.072	Cable 4 Core 10m	-	-	-	4-PIN M12 10M
360.004	Cable 6 Core 5m	-	-	-	6-PIN M12 5M
360.012	Cable 6 Core 10m	-	-	-	6-PIN M12 10M

NON-CONTACT SAFETY SWITCHES

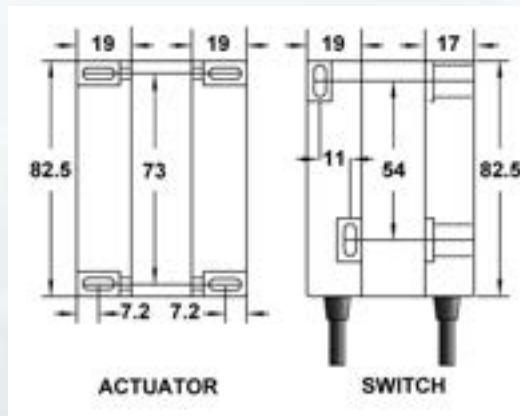
MS8 Plastic Safety Switch



- ABS Housing
- IP67, IP69K Tested
- **3 Operating Faces**
- **25mm Operating Distance**
- 500mA Safety Output Rating
- Cost Effective Design, Ideal for OEM's
- Pre-wired & M12 QD options
- Tolerant to Misalignment

Stock Code	Part Description	Safety Contacts	Aux Contact	Supply	Connection
358.010	MS8-20-DC-03M	2	0	DC	03 metre pre-wired
358.011	MS8-20-DC-06M	2	0	DC	06 metre pre-wired
358.013	MS8-21-DC-03M	2	1	DC	03 metre pre-wired
358.014	MS8-21-DC-05M	2	1	DC	05 metre pre-wired

Quality Marks:



MS8 Stainless Steel Safety Switch



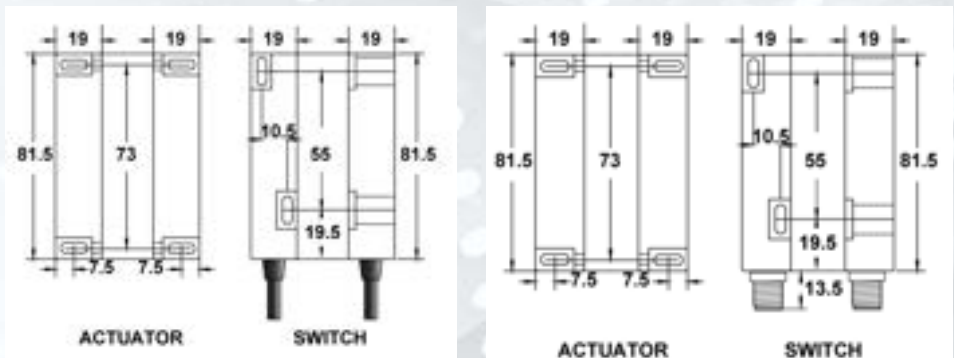
- 316 Stainless Steel Housing
- IP67, IP69K Tested
- **3 Operating Faces**
- **25mm Operating Distance**
- 500mA Safety Output Rating
- Cost Effective Design, Ideal for OEM's
- Pre-wired & M12 QD options
- Tolerant to Misalignment

Stock Code	Part Description	Safety Contacts	Aux Contact	Supply	Connection
358.004	MS8-SS-21-DC-03M	2	1	DC	03 metre pre-wired
358.000	MS8-SS-21-DC-05M	2	1	DC	06 metre pre-wired
358.003	MS8-SS-21-DC-10M	2	1	DC	10 metre pre-wired
358.002	MS8-SS-21-DC-QD	2	1	DC	6-PIN M12 Plug

Cable Accessories for QD version

360.004	Cable 6 Core 5m	-	-	-	6-PIN M12 5M
360.012	Cable 6 Core 10m	-	-	-	6-PIN M12 10M

Quality Marks:



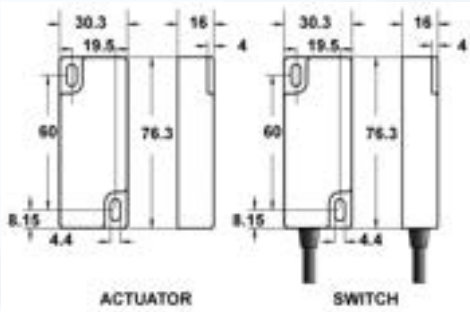
NON-CONTACT SAFETY SWITCHES

MS21 Plastic Safety Switch



- ABS Housing
- Wide Bodied Design
- IP67, IP69K Tested
- 1Amp Safety Output Rating
- AC or DC Versions Available
- 10mm Operating Distance
- Tolerant to Misalignment
- Pre-wired & M12 QD options

Quality Marks:



Stock Code	Part Description	Safety Contacts	Aux Contact	Supply	Connection
359.044	MS21-10-DC-03M	1	0	DC	03 metre pre-wired
359.000	MS21-11-DC-03M	1	1	DC	03 metre pre-wired
359.001	MS21-11-DC-06M	1	1	DC	06 metre pre-wired
359.025	MS21-11-DC-QD	1	1	DC	4-PIN M12 Plug
359.002	MS21-20-DC-03M	2	0	DC	03 metre pre-wired
359.003	MS21-20-DC-06M	2	0	DC	06 metre pre-wired
359.026	MS21-20-DC-QD	2	0	DC	4-PIN M12 Plug
359.004	MS21-21-DC-03M	2	1	DC	03 metre pre-wired
359.005	MS21-21-DC-06M	2	1	DC	06 metre pre-wired
359.027	MS21-21-DC-QD	2	1	DC	6-PIN M12 Plug

Cable Accessories for QD versions

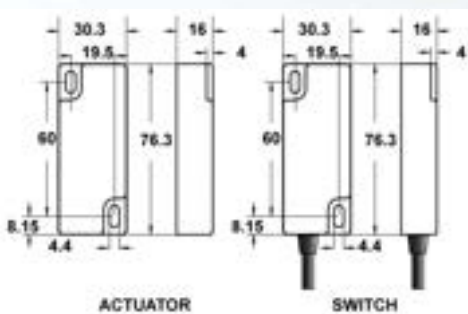
356.071	Cable 4 Core 5m	-	-	-	4-PIN M12 5M
356.072	Cable 4 Core 10m	-	-	-	4-PIN M12 10M
360.004	Cable 6 Core 5m	-	-	-	6-PIN M12 5M
360.012	Cable 6 Core 10m	-	-	-	6-PIN M12 10M

MS21 Stainless Steel Safety Switch



- 316 Stainless Steel Housing
- Wide Bodied Design
- IP67, IP69K Tested
- 1Amp Safety Output Rating
- AC or DC Versions Available
- 10mm Operating Distance
- Tolerant to Misalignment
- Pre-wired & M12 QD options

Quality Marks:



Stock Code	Part Description	Safety Contacts	Aux Contact	Supply	Connection
359.074	MS21-SS-21-DC-03M	2	1	DC	03 metre pre-wired
359.075	MS21-SS-21-DC-06M	2	1	DC	06 metre pre-wired
359.076	MS21-SS-21-DC-10M	2	1	DC	10 metre pre-wired
359.089	MS21-SS-21-DC-QD	2	1	DC	6-PIN M12 Plug
359.091	MS21-SS-21-DC-8QD	2	1	DC	8-PIN M12 Plug

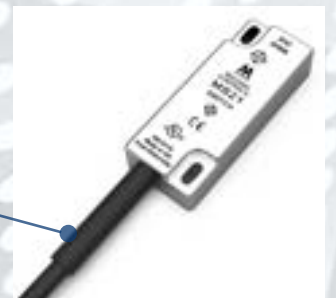
Cable Accessories for QD versions

360.004	Cable 6 Core 5m	-	-	-	6-PIN M12 5M
360.012	Cable 6 Core 10m	-	-	-	6-PIN M12 10M
356.073	Cable 8 Core 5m	-	-	-	8-PIN M12 5M
356.077	Cable 8 Core 10m	-	-	-	8-PIN M12 10M

Special Design

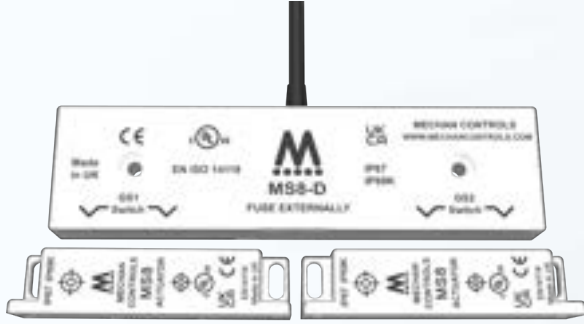
MS21-SS-21-DC-03M-PVC

Reinforced PVC grommet designed to protect against cable damage.



NON-CONTACT SAFETY SWITCHES

MS8-D Stainless Steel Safety Switch

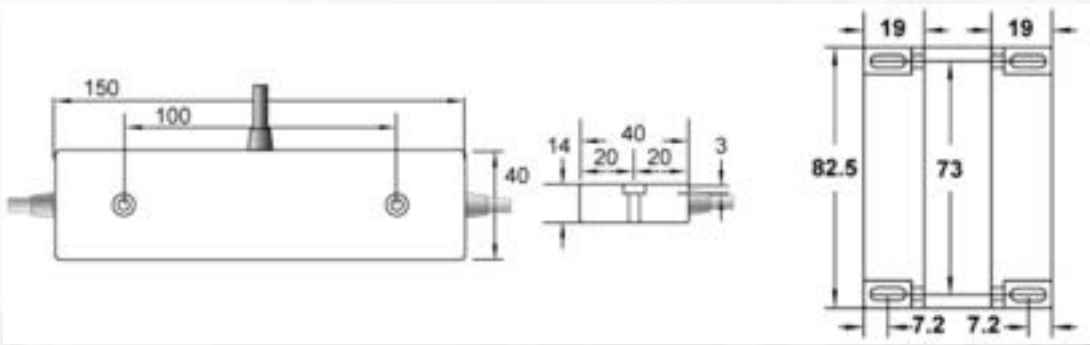


- 316 Stainless Steel
- IP67, IP69K Tested
- 1Amp Safety Output Rating
- Pre-wired options
- Tolerant to Misalignment
- Designed for use on double doors
- Saves on wiring space

Quality Marks:



Stock Code	Part Description	Safety Contacts	Aux Contact	Supply	Connection
358.015	MS8-SS-21-DC-05M-D	2	1	DC	05 metre pre-wired
358.020	MS8-SS-21-DC-10M-D	2	1	DC	10 metre pre-wired



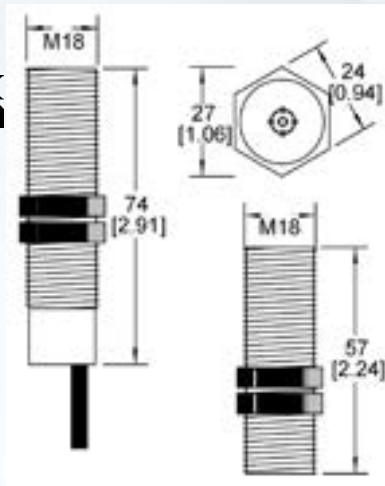
MS2 ABS Safety Switch



- ABS Housing
- M18 housing
- IP67, IP69K Tested
- Pre-wired options
- AC or DC Versions Available
- Tolerant to Misalignment

Stock Code	Part Description	Safety Contacts	Aux Contact	Supply	Connection
351.000	MS2-10-AC-03M	1	0	AC	03 metre pre-wired
351.001	MS2-11-AC-03M	1	1	AC	03 metre pre-wired
351.050	MS2-10-DC-03M	1	0	DC	03 metre pre-wired
351.051	MS2-11-DC-03M	1	1	DC	03 metre pre-wired
351.060	MS2-11-DC-20M	1	1	DC	20 metre pre-wired

Quality Marks:



NON-CONTACT SAFETY SWITCHES

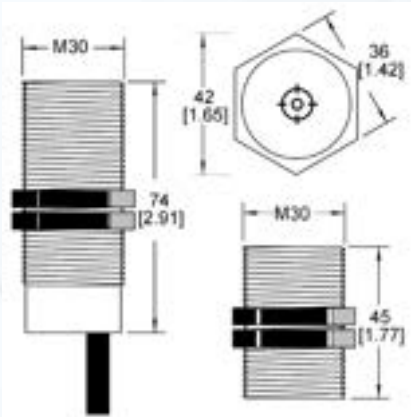
MS3 ABS Safety Switch



- ABS Housing
- M30 housing
- IP67, IP69K Tested
- Pre-wired options
- AC or DC Versions Available
- Tolerant to Misalignment

Stock Code	Part Description	Safety Contacts	Aux Contact	Supply	Connection
352.000	MS3-10-AC-03M	1	0	AC	03 metre pre-wired
352.001	MS3-11-AC-03M	1	1	AC	03 metre pre-wired
352.002	MS3-20-AC-03M	2	0	AC	03 metre pre-wired
352.003	MS3-21-AC-03M	2	1	AC	03 metre pre-wired
352.050	MS3-10-DC-03M	1	0	DC	03 metre pre-wired
352.051	MS3-11-DC-03M	1	1	DC	03 metre pre-wired
352.052	MS3-20-DC-03M	2	0	DC	03 metre pre-wired
352.053	MS3-21-DC-03M	2	1	DC	03 metre pre-wired
352.054	MS3-21-DC-06M	2	1	DC	06 metre pre-wired
352.055	MS3-21-DC-10M	2	1	DC	10 metre pre-wired

Quality Marks:



Part Number Explanation

MS* - **SS** - **21** - ***C** - **03M** - **HT**

Housing Shape

MS5
MS6
MS7
MS8
MS21
MS8-D
MS2
MS3

Housing Material

Blank Plastic
SS Stainless Steel

Safety Channels

1 1 N/O (when door is open)
2 2 N/O (when door is open)
3 3 N/O (when door is open)

Output Voltage

AC 230VAC
DC 24VDC

Auxiliary Channels

0 No Auxiliary
1 1 N/C (when door is open)

Connection Type

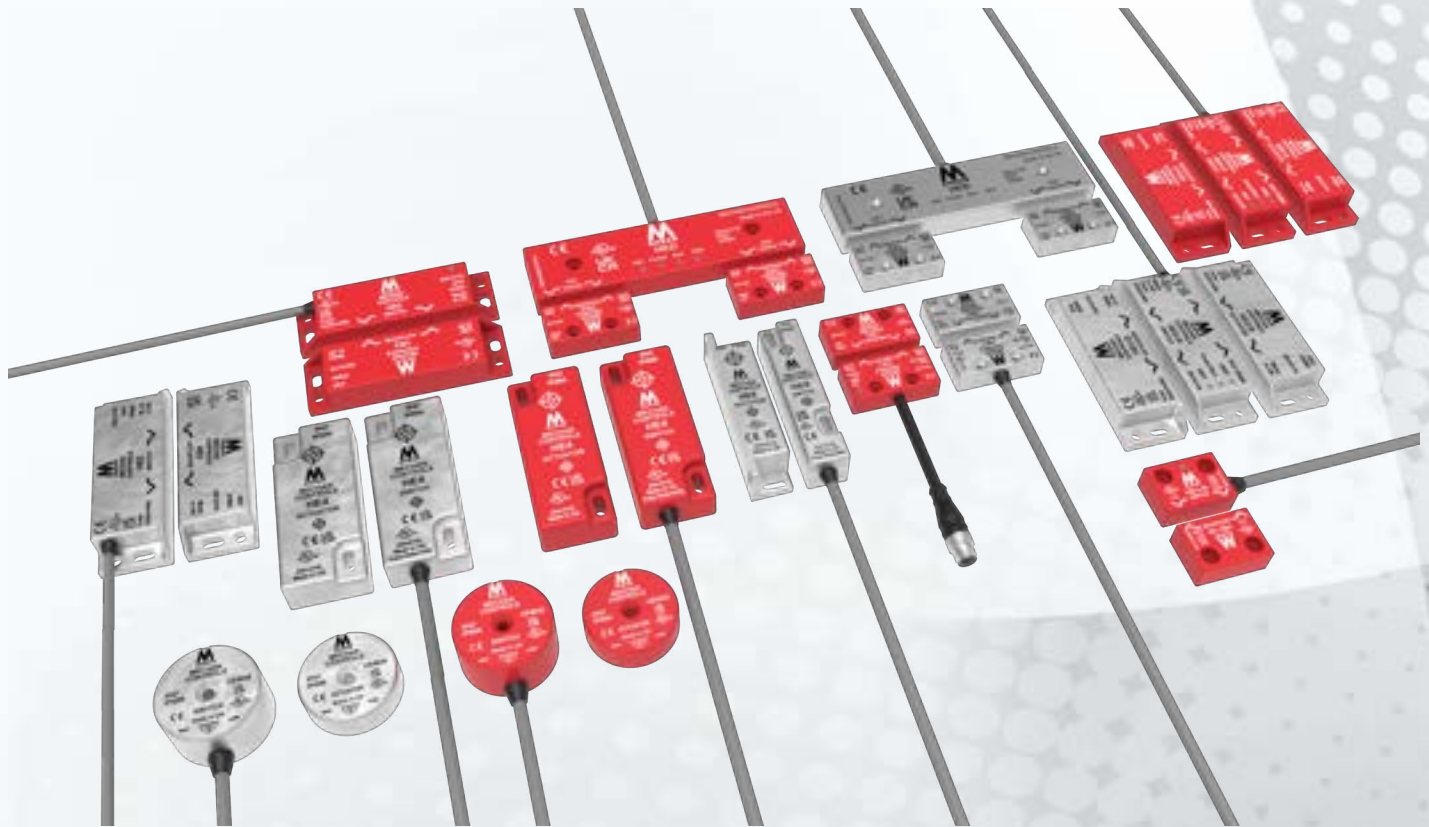
03M 3 Metre Pre-Wired
06M 6 Metre Pre-Wired
10M 10 Metre Pre-Wired
QD M12 QD
LQD M12 150mm LQD

Special Cable

HT High Temperature
Only available on selected models.

NON-CONTACT SAFETY SWITCHES

HE-RANGE



Mechan HE safety switches are magnetically coded, solid state non-contact safety switches for use in machine guarding applications.

Non-contact operation makes the HE switches easy to install and tolerant to misalignment. The solid state design is even more tolerant to shock and vibration, and provides single point switching which makes for a simpler and more reliable machine guard interlock.

The additional security of the coded magnetic operation along with the fully sealed IP67 rating make these switches ideal for use in wet or dusty and harsh environments.

Operation



The HE safety switches have up to 2xN/O + 1xN/C solid state outputs along with built in LED(s) for indication. With power applied to the switch and actuator aligned correctly within the specified operating range, the N/O Outputs will be closed, the N/C Output will be open. When the actuator moves out of the operating range, the N/O Outputs will open, and the N/C Output will close. The actuator(s) can approach the switch from any angle without false tripping. When the guard is closed the targets on the printed face of the switch and actuator must be aligned.

NOTE: The HED switch requires both actuators to be in place to operate the contacts. Removing one actuator will open the NO contacts and close the NC contact.

Applications

Interlocked guards where additional security is required.
Door locking is not required.

Harsh environments where vibration, water or dust are problems.

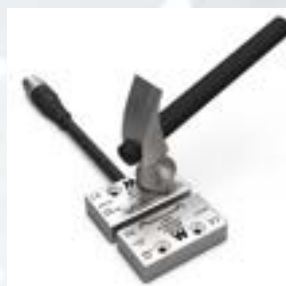
Food and Beverage packing/filling systems

Dairy Pharmaceutical Paper Industry

Can Forming and Filling, (Aluminium, Steel, Plastic)

Semiconductor Manufacture/Assembly.


Tolerant to Shock / Vibrations



The unique solid state design means the HE-Series are tolerant to high shock and vibrations. They are ideal for use in applications where the switches are exposed to high impacts.

NON-CONTACT SAFETY SWITCHES

Indication

	HE1, HE2, HE3, HE4, HE6	HED			
		GS1	Power	Run	GS2
Power Off	Off	Off	Off	Off	Off
Power On Gate(s) Open	Red	Off	Red	Off	Off
Power On Gate 1 Closed	Green	Yellow	Red	Off	Off
Power On Gate 1 and 2 Closed		Yellow	Red	Green	Yellow
NOTE:	HEM-40 Does not have on switch LED Indication				

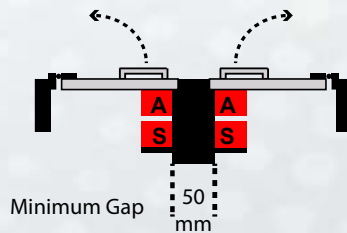
MOUNTING SAFETY SWITCHES

HE1/2/3/4/6 & HEM40 Safety Switches

Do not use safety switches, as a stop. 1 mm separation when closed provides the best results.

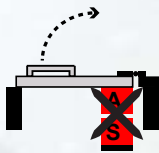
Mount the switch onto the machine frame and the actuator onto the opening edge of the door.

Always try to mount the switch on non-ferrous material. (Ferrous materials may reduce the switching distance.)

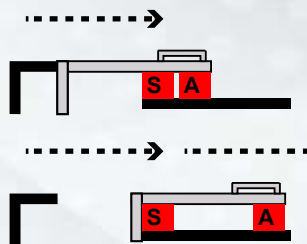


Minimum separation of 50mm between adjacent switches.

DO NOT mount on hinged side of the guard.



EN14119 :
Hide the actuator where possible.



HED & HE2-D Safety Switches - 2 Gate operation

HED Switches are designed to monitor 2 doors with one switch and 2 actuators. Simplifying installation by reducing wiring to the control panel, and the number of brackets required for the switches.

Both gates must be closed to enable the NO contacts of the switch to close and the NC indication contact to open. Opening either gate will open the NO contacts and close the NC contact. LED indication is available on the switch to help with fault diagnosis.

HED



HE2-D



NON-CONTACT SAFETY SWITCHES

Product Selection

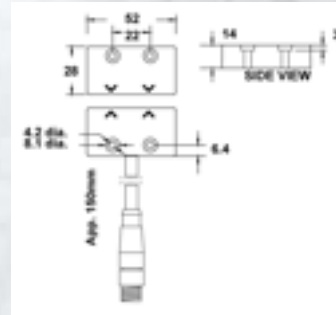
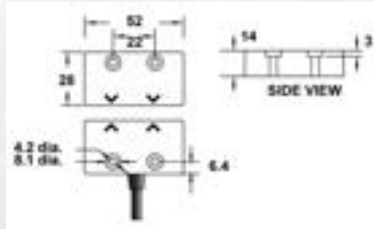
HE1 Compact Plastic Safety Switch



- ABS Housing, Compact Design
- 22mm Industry Standard Fixing
- Coded Magnetic Operation
- 500mA Safety Output Rating
- LED Guard Status Indication
- Cost Effective Design, Ideal for OEM's
- Shock and Vibration Proof
- IP67, IP69K Tested

Stock Code	Part Description	Safety Contacts	Aux Contact	Supply	Connection
341.002	HE1-21-DC-03M	2	1	24VDC	03 metre pre-wired
341.010	HE1-21-DC-06M	2	1	24VDC	06 metre pre-wired
341.016	HE1-21-DC-10M	2	1	24VDC	10 metre pre-wired
341.003	HE1-21-DC-LQD	2	1	24VDC	8-PIN M12 150mm
Cable Accessories for LQD version					
356.073	Cable 8 Core 5m	-	-	-	8-PIN M12 5M
356.077	Cable 8 Core 10m	-	-	-	8-PIN M12 10M

Quality Marks:



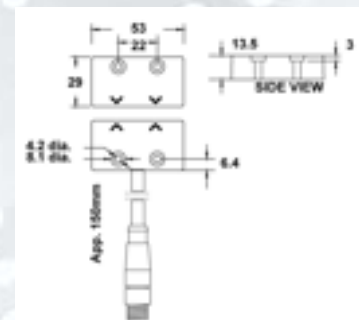
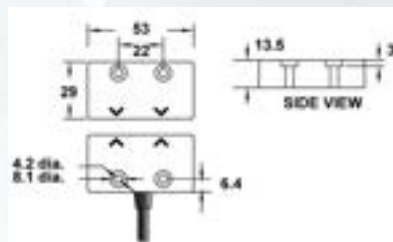
HE1 Compact Stainless Steel Safety Switch



- 316 Stainless Steel
- 22mm Industry Standard Fixing
- Coded Magnetic Operation
- 500mA Safety Output Rating
- LED Guard Status Indication
- Cost Effective Design Ideal, for OEM's
- Shock and Vibration Proof
- IP67, IP69K Tested

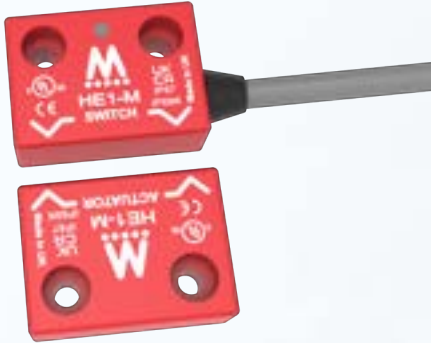
Stock Code	Part Description	Safety Contacts	Aux Contact	Supply	Connection
341.007	HE1-SS-21-DC-03M	2	1	24VDC	03 metre pre-wired
341.014	HE1-SS-21-DC-06M	2	1	24VDC	06 metre pre-wired
341.015	HE1-SS-21-DC-10M	2	1	24VDC	10 metre pre-wired
341.008	HE1-SS-21-DC-LQD	2	1	24VDC	8-PIN M12 150mm
Cable Accessories for LQD version					
356.073	Cable 8 Core 5m	-	-	-	8-PIN M12 5M
356.077	Cable 8 Core 10m	-	-	-	8-PIN M12 10M

Quality Marks:



NON-CONTACT SAFETY SWITCHES

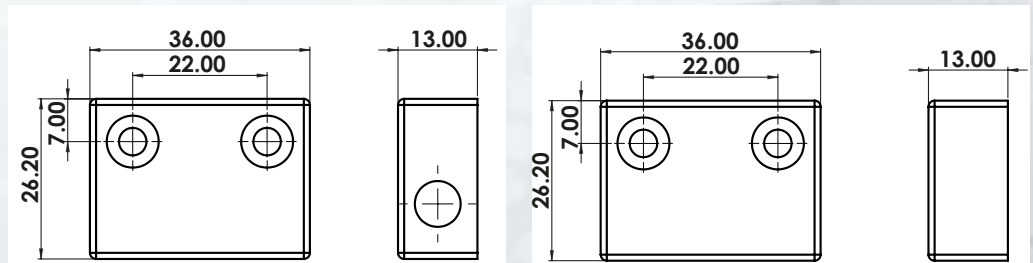
HE1-M Compact Plastic Safety Switch



- ABS Housing, Compact Design
- 22mm Industry Standard Fixing
- Coded Magnetic Operation
- 500mA Safety Output Rating
- LED Guard Status Indication
- Cost Effective Design, Ideal for OEM's
- Shock and Vibration Proof
- IP67, IP69K Tested

Part Description	Safety Contacts	Aux Contact	Supply	Connection
HE1-M-21-DC-03M	2	1	24VDC	03 metre pre-wired
HE1-M-21-DC-06M	2	1	24VDC	06 metre pre-wired
HE1-M-21-DC-10M	2	1	24VDC	10 metre pre-wired

Quality Marks:



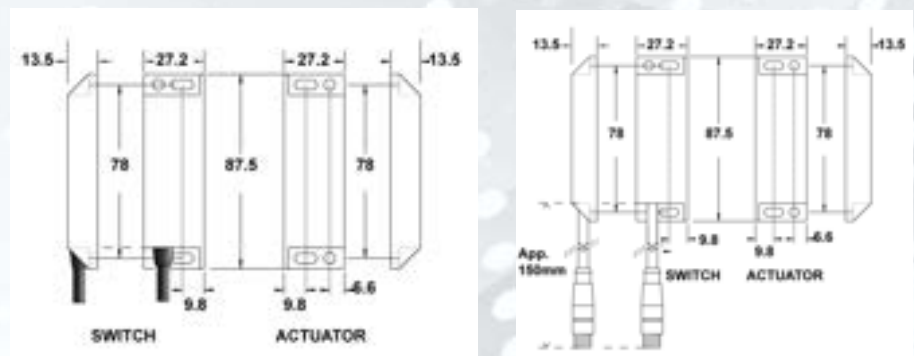
HE2 Coded Plastic Safety Switch



- ABS Housing
- Euro Standard Fixing
- Coded Magnetic Operation
- 500mA Safety Output Rating
- LED Guard Status Indication
- Cost Effective Design, Ideal for OEM's
- Shock and Vibration Proof
- IP67, IP69K Tested

Stock Code	Part Description	Safety Contacts	Aux Contact	Supply	Connection
342.002	HE2-21-DC-03M	2	1	24VDC	03 metre pre-wired
342.011	HE2-21-DC-06M	2	1	24VDC	06 metre pre-wired
342.012	HE2-21-DC-15M	2	1	24VDC	15 metre pre-wired
357.009	HE2-21-DC-LQD	2	1	24VDC	8-PIN M12 150mm
Cable Accessories for LQD version					
356.073	Cable 8 Core 5m	-	-	-	8-PIN M12 5M
356.077	Cable 8 Core 10m	-	-	-	8-PIN M12 10M

Quality Marks:



NON-CONTACT SAFETY SWITCHES

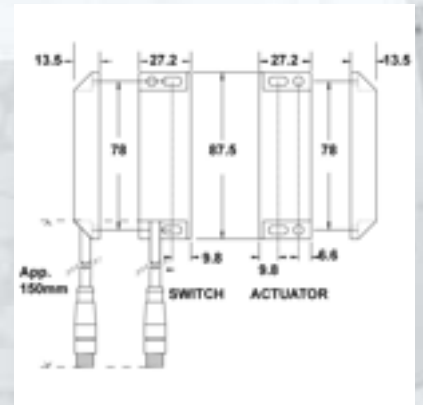
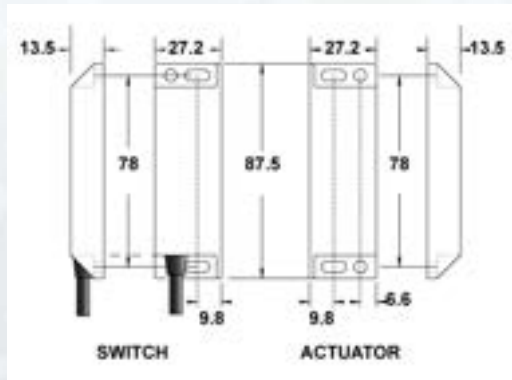
HE2 Coded Stainless Steel Safety Switch



- 316 Stainless Steel
- Euro Standard Fixing
- Coded Magnetic Operation
- 500mA Safety Output Rating
- LED Guard Status Indication
- Cost Effective Design Ideal, for OEM's
- Shock and Vibration Proof
- IP67, IP69K Tested

Stock Code	Part Description	Safety Contacts	Aux Contact	Supply	Connection
342.007	HE2-SS-21-DC-03M	2	1	24VDC	03 metre pre-wired
342.013	HE2-SS-21-DC-06M	2	1	24VDC	06 metre pre-wired
342.010	HE2-SS-21-DC-10M	2	1	24VDC	10 metre pre-wired
357.008	HE2-SS-21-DC-LQD	2	1	24VDC	8-PIN M12 150mm
Cable Accessories for LQD version					
356.073	Cable 8 Core 5m	-	-	-	8-PIN M12 5M
356.077	Cable 8 Core 10m	-	-	-	8-PIN M12 10M

Quality Marks:



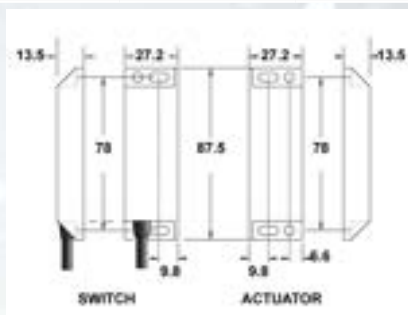
HE2-D Coded ABS Safety Switch



- ABS Housing
- Euro Standard Fixing
- Coded Magnetic Operation
- 500mA Safety Output Rating
- Designed for use on double doors
- +24V Individual Output Indication
- LED Guard Status Indication
- Cost Effective Design Ideal, for OEM's
- Shock and Vibration Proof
- IP67, IP69K Tested
- Saves on wiring space

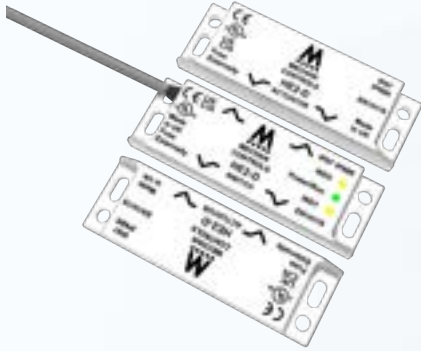
Stock Code	Part Description	Safety Contacts	Aux Contact	Supply	Connection
342.007	HE2-SS-21-DC-03M	2	1	24VDC	03 metre pre-wired
342.013	HE2-SS-21-DC-06M	2	1	24VDC	06 metre pre-wired
342.010	HE2-SS-21-DC-10M	2	1	24VDC	10 metre pre-wired
357.008	HE2-SS-21-DC-LQD	2	1	24VDC	8-PIN M12 150mm
Cable Accessories for LQD version					
356.073	Cable 8 Core 5m	-	-	-	8-PIN M12 5M
356.077	Cable 8 Core 10m	-	-	-	8-PIN M12 10M

Quality Marks:



NON-CONTACT SAFETY SWITCHES

HE2-D Coded Stainless Steel Safety Switch

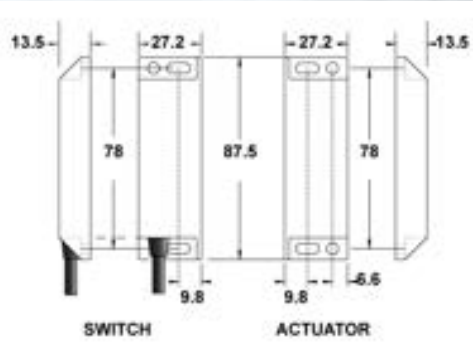


- ABS Housing
- Euro Standard Fixing
- Coded Magnetic Operation
- 500mA Safety Output Rating
- **Designed for use on double doors**
- **+24V Individual Output Indication**
- LED Guard Status Indication
- Cost Effective Design Ideal, for OEM's
- Shock and Vibration Proof
- IP67, IP69K Tested
- **Saves on wiring space**

Quality Marks:



Stock Code	Part Description	Safety Contacts	Aux Contact	Supply	Connection
342.007	HE2-SS-21-DC-03M	2	1	24VDC	03 metre pre-wired
342.013	HE2-SS-21-DC-06M	2	1	24VDC	06 metre pre-wired
342.010	HE2-SS-21-DC-10M	2	1	24VDC	10 metre pre-wired
357.008	HE2-SS-21-DC-LQD	2	1	24VDC	8-PIN M12 150mm
Cable Accessories for LQD version					
356.073	Cable 8 Core 5m	-	-	-	8-PIN M12 5M
356.077	Cable 8 Core 10m	-	-	-	8-PIN M12 10M

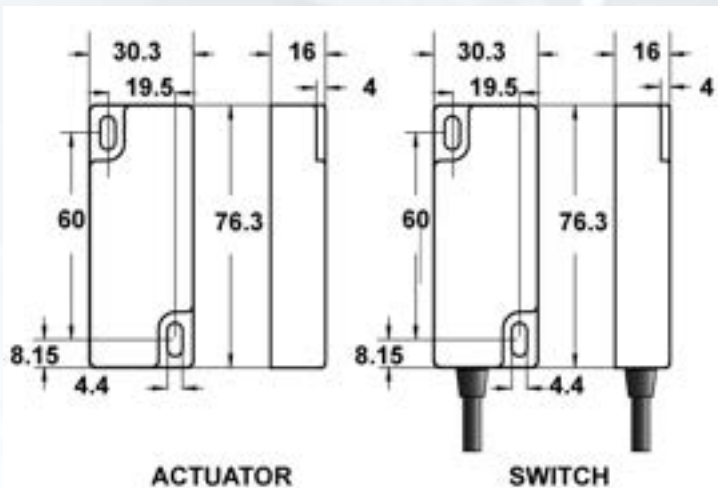


HE4 Coded Plastic Safety Switch



- ABS Housing
- Industry Standard Fixing
- Coded Magnetic Operation
- 1 Amp Safety Output Rating
- LED Guard Status Indication
- Shock and Vibration Proof
- IP67, IP69K Tested
- Pre-wired & M12 options

Stock Code	Part Description	Safety Contacts	Aux Contact	Supply	Connection
344.006	HE4-21-DC-03M	2	1	24VDC	03 metre pre-wired
344.007	HE4-21-DC-06M	2	1	24VDC	06 metre pre-wired
344.008	HE4-21-DC-10M	2	1	24VDC	10 metre pre-wired



Quality Marks:



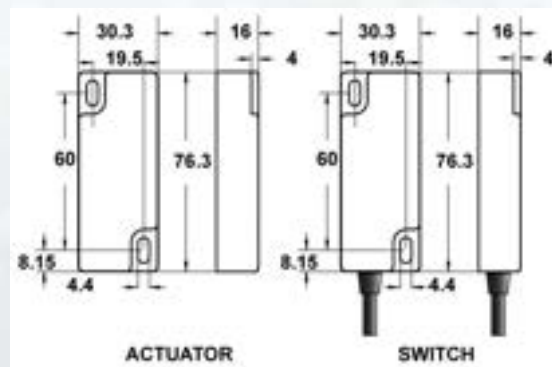
NON-CONTACT SAFETY SWITCHES

HE4 Coded Stainless Steel Safety Switch



- 316 Stainless Steel
- Industry Standard Fixing
- Coded Magnetic Operation
- 1 Amp Safety Output Rating
- LED Guard Status Indication
- Shock and Vibration Proof
- IP67, IP69K Tested
- Pre-wired & M12 options

Stock Code	Part Description	Safety Contacts	Aux Contact	Supply	Connection
344.003	HE4-SS-21-DC-03M	2	1	24VDC	03 metre pre-wired
344.004	HE4-SS-21-DC-06M	2	1	24VDC	06 metre pre-wired
344.005	HE4-SS-21-DC-10M	2	1	24VDC	10 metre pre-wired
344.009	HE4-SS-21-DC-LQD	2	1	24VDC	8-PIN M12 150mm
Cable Accessories for LQD version					
356.073	Cable 8 Core 5m	-	-	-	8-PIN M12 5M
356.077	Cable 8 Core 10m	-	-	-	8-PIN M12 10M



Quality Marks:

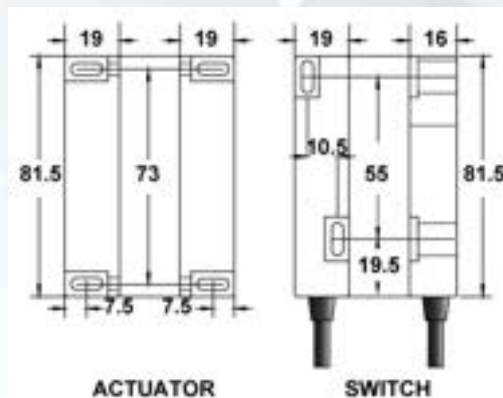


HE6 Coded Stainless Steel Safety Switch



- 316 Stainless Steel
- Slim-line Design
- Coded Magnetic Operation
- 500mA Safety Output Rating
- LED Guard Status Indication (top of switch)
- Shock and Vibration Proof
- IP67, IP69K Tested
- Pre-wired & M12 options

Stock Code	Part Description	Safety Contacts	Aux Contact	Supply	Connection
346.000	HE6-SS-21-DC-03M	2	1	24VDC	03 metre pre-wired
346.001	HE6-SS-21-DC-04M	2	1	24VDC	04 metre pre-wired
346.007	HE6-SS-21-DC-10M	2	1	24VDC	10 metre pre-wired
344.009	HE6-SS-21-DC-LQD	2	1	24VDC	8-PIN M12 150mm
Cable Accessories for LQD version					
356.073	Cable 8 Core 5m	-	-	-	8-PIN M12 5M
356.077	Cable 8 Core 10m	-	-	-	8-PIN M12 10M



Quality Marks:



NON-CONTACT SAFETY SWITCHES

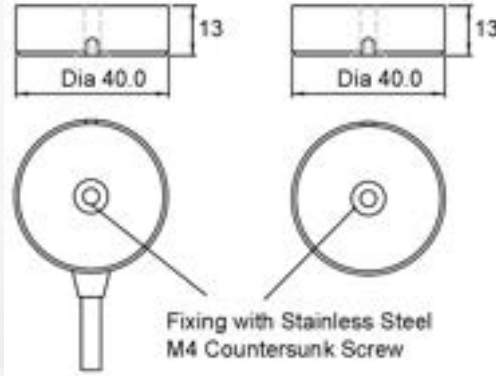
HEM40 Coded ABS Safety Switch



- ABS housing
- M40 Barrel
- Coded Magnetic Operation
- 500mA Safety Output Rating
- Ideal for Mounting in Frames
- Easy Installation (Single Fixing Hole)
- Shock and Vibration Proof
- IP67, IP69K Tested

Stock Code	Part Description	Safety Contacts	Aux Contact	Supply	Connection
347.000	HEM40-SS-21-DC-06M	2	1	24VDC	06 metre pre-wired
347.001	HEM40-SS-21-DC-10M	2	1	24VDC	10 metre pre-wired

Quality Marks:



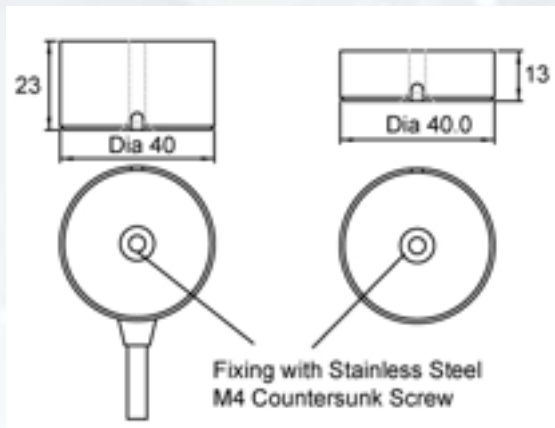
HEM40 Coded Stainless Steel Safety Switch



- 316 Stainless Steel
- M40 Barrel
- Coded Magnetic Operation
- 500mA Safety Output Rating
- Ideal for Mounting in Frames
- Easy Installation (Single Fixing Hole)
- Shock and Vibration Proof
- IP67, IP69K Tested

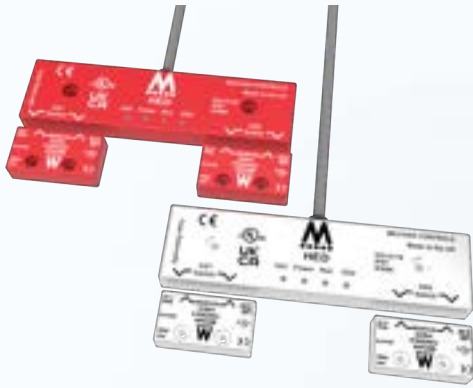
Stock Code	Part Description	Safety Contacts	Aux Contact	Supply	Connection
347.000	HEM40-SS-21-DC-06M	2	1	24VDC	06 metre pre-wired
347.001	HEM40-SS-21-DC-10M	2	1	24VDC	10 metre pre-wired

Quality Marks:



NON-CONTACT SAFETY SWITCHES

HED Double Door Safety Switch



- ABS or 316 Stainless Steel Housing
- Monitors 2 Doors with 1 Switch
- Coded Magnetic Operation
- 500mA Safety Output Rating
- 3 Cable Entry points
- LED Guard Status Indication for 2 Doors
- Half the Cost, Half the Installation Time
- Shock and Vibration Proof
- IP67, IP69K Tested

The HED safety switch monitors 2 adjacent doors with only one switch, saving on installation time, cabling and cost. With 2 x N/O + 1 N/C bidirectional solid state outputs along with a built in LED(s) for indication. When installed on a machine guard, power is applied, and when the switch and actuator are within the specified operating range, the N/O Outputs will be closed, and the N/C Output will be open.

Quality Marks:    

Stock Code	Part Description	Material	Safety Contacts	Aux Contact	Supply	Connection
343.000	HED-21-DC-03M-C	Plastic	2	1	24VDC	03 metre pre-wired - Centre Cable Entry
343.001	HED-21-DC-06M-C	Plastic	2	1	24VDC	06 metre pre-wired - Centre Cable Entry
343.003	HED-21-DC-LQD-C	Plastic	2	1	24VDC	8-PIN M12 150mm - Centre Cable Entry
343.006	HED-21-DC-03M-L	Plastic	2	1	24VDC	03 metre pre-wired - Left Cable Entry
343.007	HED-21-DC-06M-L	Plastic	2	1	24VDC	06 metre pre-wired - Left Cable Entry
343.009	HED-21-DC-LQD-L	Plastic	2	1	24VDC	8-PIN M12 150mm - Left Cable Entry
343.012	HED-21-DC-03M-R	Plastic	2	1	24VDC	03 metre pre-wired - Right Cable Entry
343.013	HED-21-DC-06M-R	Plastic	2	1	24VDC	06 metre pre-wired - Right Cable Entry
343.015	HED-21-DC-LQD-R	Plastic	2	1	24VDC	8-PIN M12 150mm - Right Cable Entry
343.030	HED-SS-21-DC-03M-C	Stainless Steel	2	1	24VDC	03 metre pre-wired - Centre Cable Entry
343.031	HED-SS-21-DC-06M-C	Stainless Steel	2	1	24VDC	06 metre pre-wired - Centre Cable Entry
Cable Accessories for LQD version						
356.073	Cable 8 Core 5m		-	-	-	8-PIN M12 5M
356.077	Cable 8 Core 10m		-	-	-	8-PIN M12 10M

Part Number Explanation

HE1 - SS - 2 1 - DC - 03M

Housing Shape

HE1
HE1-M
HE2
HE2-D
HE4
HE6
HEM40
HED

Housing Material

Blank Plastic
SS Stainless Steel

Safety Channels

1 1 N/O (when door is open)
2 2 N/O (when door is open)

Supply Voltage

DC 24VDC

Auxiliary Channels

1 1 N/C (when door is open)

Connection Type

03M 3 Metre Pre-Wired
06M 6 Metre Pre-Wired
10M 10 Metre Pre-Wired
LQD M12 150mm LQD

S-Type Features and Benefits

Introduction



The S-Type range are master coded RFID safety switches with volt free contact outputs. Available in two housings, the SS-C and SS-R feature visible indication giving the user simple open/close door status for easy operation.

The SS-R has been designed with a safety output rating capable of switching 2Amps. This means it is suitable for use with older safety circuits with higher inrush currents.

S-Type has been independently tested and approved to CAT4, SIL3, PL-e by TUV Nord. The RFID technology meets the requirements for medium/high level coding in accordance with EN14119.

RFID Technology



The S-Type master coded safety switches offer protection against manipulation, interference and defeat, making them ideal for use in higher risk applications.

Ferrous material can often cause magnetic safety switches to fail and/or reduce their operating distance. Using an S-Type safety switch will maintain their operational integrity regardless of what you install them on.

High Current Capabilities



The S-Type SS-R comes with a 2Amp Safety output rating designed for optimum durability, even on older safety circuits that generate higher inrush currents.

The SS-R switch will guarantee compatibility with most safety relays on the market.

Volt Free Contacts

The S-Type range uses volt free contact outputs. They have been designed this way to make it easier to replace traditional magnetic safety switches with medium coded RFID ones.

The technology used in the S-Type range is patented, making these products unique to Mechan Controls.

The S-Type still requires 24VDC supply to operate the internal electronics.

Precise Switching



Safety switches that use reeds may have issues with the contacts changing over at different times. This can cause safety relays to detect this delay due to the time limit set between the safety input channels. In turn, this may cause

interruptions to the output of the machine, consequently reducing productivity and increasing downtime.

The S-Type range features electronic contacts that all change state at the same time, eliminating this problem.

Product Selection

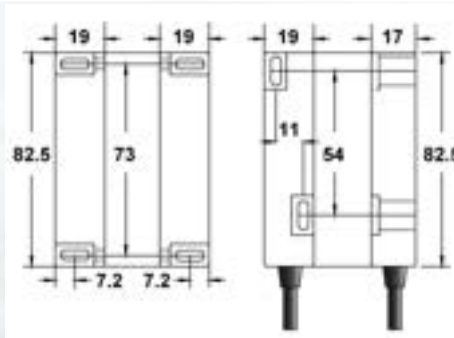
SS-C Slim-Line Safety Switch



- ABS Housing, Slim Design
- Industry Standard Fixing
- One Generic Code RFID
- 500mA Safety Output Rating
- LED Guard Status Indication
- Suitable for use on Ferrous Materials
- IP67, IP69K Tested

Stock Code	Part Description	Safety Contacts	Aux Contact	Supply	Connection
363.002	SS-C-11-03M	1	1	24VDC	03 metre pre-wired
363.000	SS-C-11-05M	1	1	24VDC	05 metre pre-wired
363.001	SS-C-11-10M	1	1	24VDC	10 metre pre-wired
363.005	SS-C-20-03M	2	0	24VDC	03 metre pre-wired
363.006	SS-C-20-10M	2	0	24VDC	10 metre pre-wired
363.004	SS-C-20-LQD	2	0	24VDC	8-PIN M12 150mm

Quality Marks:



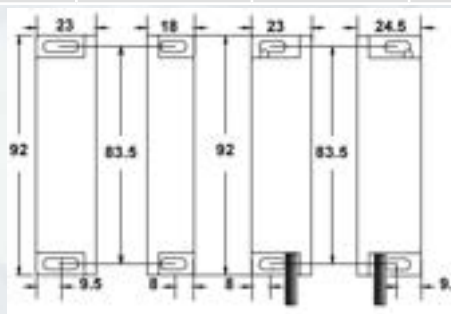
SS-R High Load Safety Switch



- ABS Housing, Slim Design
- Industry Standard Fixing
- One Generic Code RFID
- 2A Safety Output Rating
- LED Guard Status Indication
- Suitable for use on Ferrous Materials
- IP67, IP69K Tested

Stock Code	Part Description	Safety Contacts	Aux Contact	Supply	Connection
362.000	SS-R-21-03M	2	1	24VDC	03 metre pre-wired
362.005	SS-R-21-06M	2	1	24VDC	06 metre pre-wired
362.001	SS-R-21-10M	2	1	24VDC	10 metre pre-wired
362.007	SS-R-21-LQD	2	1	24VDC	8-PIN M12 150mm

Quality Marks:



Part Number Explanation

SS-C - 2 1 - DC - 03M

Housing Shape

- SS-C
- SS-R

Safety Channels

- 2 2 N/O (when door is open)

Supply Voltage

- DC 24VDC

Auxiliary Channels

- 1 1 N/C (when door is open)

Connection Type

- 03M 3 Metre Pre-Wired
- 06M 6 Metre Pre-Wired
- 10M 10 Metre Pre-Wired
- LQD M12 150mm LQD

R-Type Features and Benefits

Introduction



The R-Type range are uniquely coded RFID (Radio Frequency Identification) safety switches with volt free contact outputs. They offer protection against manipulation, interference and defeat, making them ideal for use in high risk applications.

These vibration resistant safety switches feature agent resistant plastic enclosures and epoxy resin for a protection level up to IP69K. The volt free contact outputs make the R-Type is compatible with most safety relays on the market.

The unique coding has up to 4 billion individual codes available, making code duplication near impossible. The RFID technology meets the requirements for high level coding in accordance with EN14119.

Same Technology as S-Type

The R-Type range has all the same features and benefits as the S-Type range. This includes:

- ✔ Volt Free Contact Outputs
- ✔ High Current Versions (RSSG / RSSR)
- ✔ Precise Switching
- ✔ LED Guard Status Indication

Teach Technology



17VDC

The R-Type range is uniquely coded. If you lose, break or misplace either the actuator or switch, the teach facility allows you to re-pair up to 1 million times.

This results in less downtime should the above be required.

How to teach? The switch will flash red if it detects an incorrect code. To re-teach, drop the supply to 17Vdc, bring the actuator within operating distance, and then bring the supply back to 24VDC.

RFID Technology



The R-Type uniquely coded safety switches offer protection against manipulation, interference and defeat, making them ideal for use in higher risk applications.

The unique coding has up to 4 billion individual codes available making code duplication near impossible.

The RFID signal guarantees a 10mm switching distance regardless of the material it is mounted on.

Stainless Steel RFID

RFID is housed in 316 grade stainless steel. The RFID window is resistant to chemicals and allows for a generous operating distance and misalignment. The RSSG-SS is ideal for washdown environments.



Product Selection

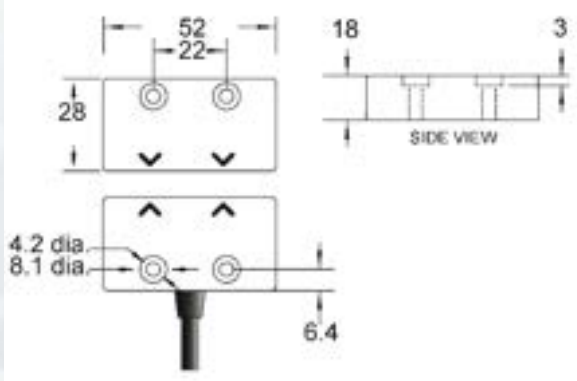
RDNK Safety Switch



- ABS Housing
- Industry Standard Fixing
- **Uniquely Coded RFID (4 Billion Codes)**
- 500mA Safety Output Rating
- LED Guard Status Indication
- 22mm Industry Standard Fixing
- IP67, IP69K Tested

Stock Code	Part Description	Safety Contacts	Aux Contact	Supply	Connection
364.080	RDNK-21-DC-03M	2	1	24VDC	03 metre pre-wired
364.081	RDNK-21-DC-06M	2	1	24VDC	06 metre pre-wired
364.082	RDNK-21-DC-10M	2	1	24VDC	10 metre pre-wired
364.085	RDNK-21-DC-LQD	2	1	24VDC	8-PIN M12 150mm
Cable Accessories for LQD version					
356.073	Cable 8 Core 5m	-	-	-	8-PIN M12 5M
356.077	Cable 8 Core 10m	-	-	-	8-PIN M12 10M

Quality Marks:



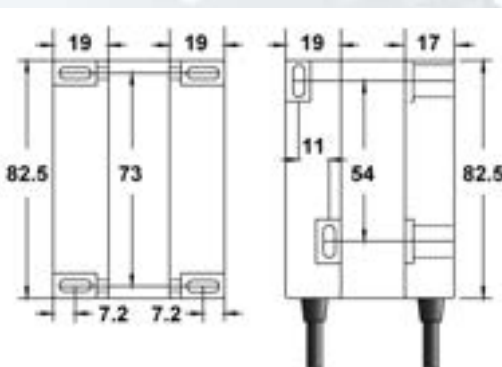
RSSO Slim-Line Safety Switch



- ABS Housing
- Industry Standard Fixing
- **Uniquely Coded RFID (4 Billion Codes)**
- 500mA Safety Output Rating
- LED Guard Status Indication
- Slim-line Design
- IP67, IP69K Tested

Stock Code	Part Description	Safety Contacts	Aux Contact	Supply	Connection
364.040	RSSO-21-DC-03M	2	1	24VDC	03 metre pre-wired
364.041	RSSO-21-DC-06M	2	1	24VDC	06 metre pre-wired
364.042	RSSO-21-DC-10M	2	1	24VDC	10 metre pre-wired
364.045	RSSO-21-DC-LQD	2	1	24VDC	8-PIN M12 150mm
Cable Accessories for LQD version					
356.073	Cable 8 Core 5m	-	-	-	8-PIN M12 5M
356.077	Cable 8 Core 10m	-	-	-	8-PIN M12 10M

Quality Marks:



NON-CONTACT SAFETY SWITCHES WITH 4 BILLION RFID CODE

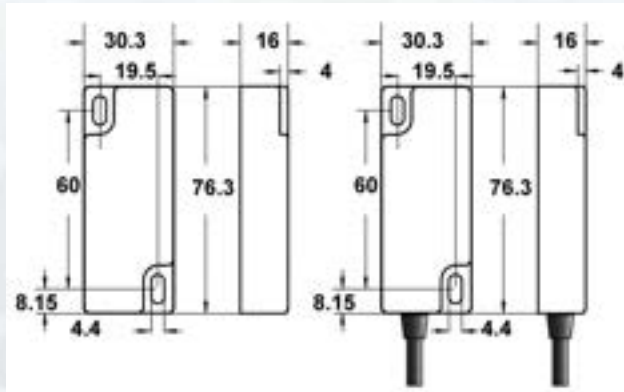
RSSK Safety Switch



- ABS Housing
- Industry Standard Fixing
- Uniquely Coded RFID (4 Billion Codes)
- 500mA Safety Output Rating
- LED Guard Status Indication
- IP67, IP69K Tested

Stock Code	Part Description	Safety Contacts	Aux Contact	Supply	Connection
364.060	RSSK-21-DC-03M	2	1	24VDC	03 metre pre-wired
364.061	RSSK-21-DC-06M	2	1	24VDC	06 metre pre-wired
364.062	RSSK-21-DC-10M	2	1	24VDC	10 metre pre-wired
364.065	RSSK-21-DC-LQD	2	1	24VDC	8-PIN M12 150mm
Cable Accessories for LQD version					
356.073	Cable 8 Core 5m	-	-	-	8-PIN M12 5M
356.077	Cable 8 Core 10m	-	-	-	8-PIN M12 10M

Quality Marks:



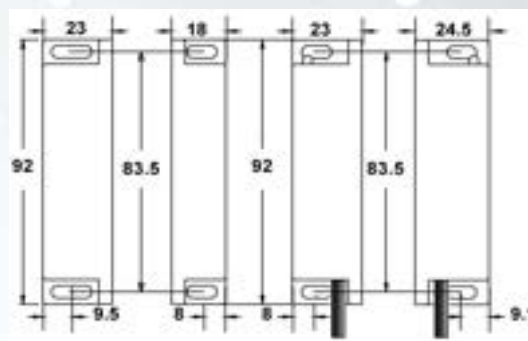
RSSR Safety Switch



- ABS Housing
- Industry Standard Fixing
- Uniquely Coded RFID (4 Billion Codes)
- 2A Safety Output Rating
- LED Guard Status Indication
- IP67, IP69K Tested

Stock Code	Part Description	Safety Contacts	Aux Contact	Supply	Connection
364.000	RSSR-21-DC-03M	2	1	24VDC	03 metre pre-wired
364.001	RSSR-21-DC-06M	2	1	24VDC	06 metre pre-wired
364.002	RSSR-21-DC-10M	2	1	24VDC	10 metre pre-wired
364.005	RSSR-21-DC-LQD	2	1	24VDC	8-PIN M12 150mm
Cable Accessories for LQD version					
356.073	Cable 8 Core 5m	-	-	-	8-PIN M12 5M
356.077	Cable 8 Core 10m	-	-	-	8-PIN M12 10M

Quality Marks:



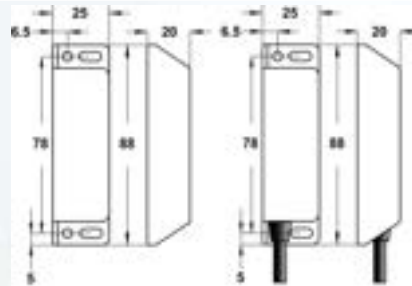
NON-CONTACT SAFETY SWITCHES WITH 4 BILLION RFID CODE

RSSG Safety Switch



- ABS Housing
- Industry Standard Fixing
- Uniquely Coded RFID (4 Billion Codes)
- 2A Safety Output Rating
- LED Guard Status Indication
- IP67, IP69K Tested

Stock Code	Part Description	Safety Contacts	Aux Contact	Supply	Connection
364.020	RSSG-21-DC-03M	2	1	24VDC	03 metre pre-wired
364.021	RSSG-21-DC-06M	2	1	24VDC	06 metre pre-wired
364.022	RSSG-21-DC-10M	2	1	24VDC	10 metre pre-wired
364.025	RSSG-21-DC-LQD	2	1	24VDC	8-PIN M12 150mm



Quality Marks:

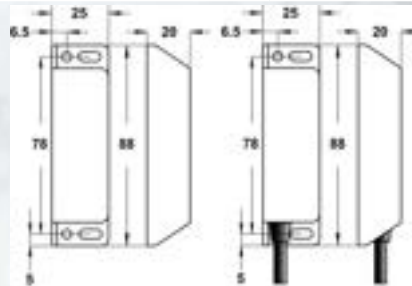


RSSG Stainless Steel Safety Switch



- 316 Stainless Steel Housing
- Industry Standard Fixing
- Uniquely Coded RFID (4 Billion Codes)
- 500mA Safety Output Rating
- LED Guard Status Indication
- IP67, IP69K Tested

Stock Code	Part Description	Safety Contacts	Aux Contact	Supply	Connection
364.028	RSSG-SS-21-DC-03M	2	1	24VDC	03 metre pre-wired
364.029	RSSG-SS-21-DC-06M	2	1	24VDC	06 metre pre-wired
364.030	RSSG-SS-21-DC-10M	2	1	24VDC	10 metre pre-wired
364.031	RSSG-SS-21-DC-LQD	2	1	24VDC	8-PIN M12 150mm



Quality Marks:



Part Number Explanation

RSSG - SS - 2 1 - DC - 03M

Housing Shape

RDNK
RSSO
RSSK
RSSR
RSSG

Supply Voltage

DC 24VDC

Auxiliary Channels

1 1 N/C (when door is open)

Safety Channels

2 2 N/O (when door is open)

Connection Type

03M 3 Metre Pre-Wired
06M 6 Metre Pre-Wired
10M 10 Metre Pre-Wired
LQD M12 150mm LQD

Housing Material

Blank Plastic
SS Stainless Steel

O-Type Features and Benefits

Introduction



The O-Type safety switches have been designed for use in applications where guard-locking is not required. They are available in either uniquely coded RFID or coded magnetic. The dual channel OSSD outputs can be used to reach a safety category of CAT4, SIL3, PL-e in accordance with the latest international safety standards.

Because they have no mechanical parts, they guarantee a long life even in applications with regular operation cycles and tough environmental conditions.

Visible LED Display



The unique LED design means they are visible even when the switch is mounted on the face. Ideal for installations where switch visibility is limited.

RFID Coding



The ODNK unique RFID coding offers protection against manipulation, interference and defeat making them ideal for use in high risk applications.

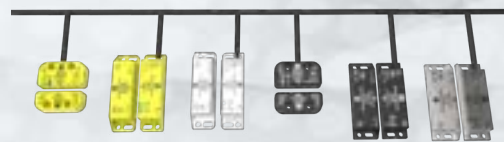
The individual coding allows up to 4 billion possible codes.

Protection Degrees

IP67
IP69K

O-Type are designed for use in tough environmental conditions. They are fully encapsulated and offer protection against dust and liquid ingress. They are suitable for use in strict wash down environments.

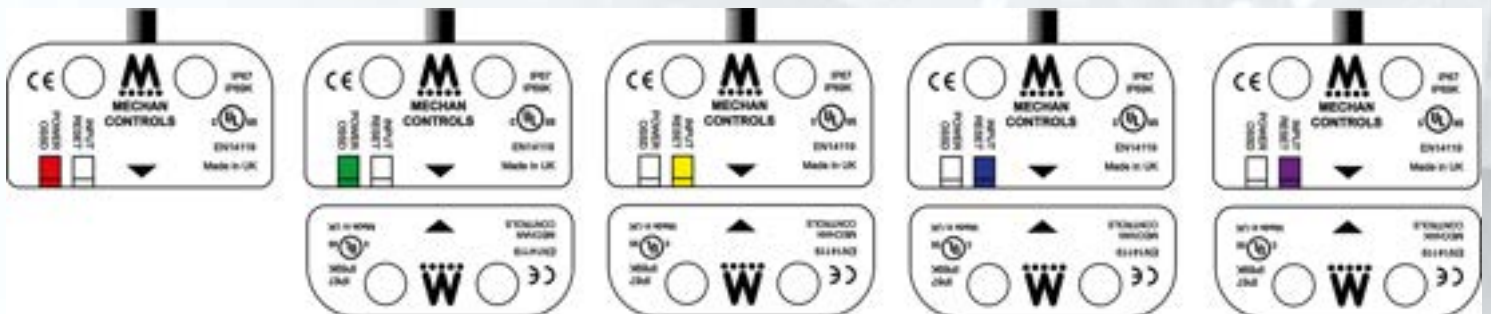
Series Connection



The unique self-monitoring technology allows up to 30 O-Type sensors to be connected in series maintaining PL-e in accordance with EN ISO 13849-1.

Advanced Diagnostics via LED Indication & Teaching

O-Type safety switches include two LEDs for indication. They are able to provide visual diagnostics for ALL states of the device.



RED: Displays that there is power to the switch. No actuator is present.

Green: Displays that there is power to the switch and the status of the OSSD outputs.

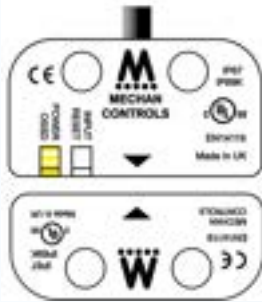
Yellow: Displays the status of the inputs.

Blue: Displays the status of the EDM or manual reset.

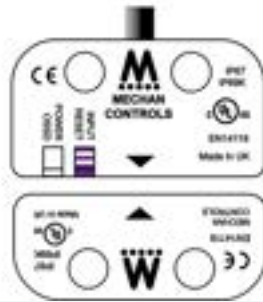
Purple: Displays that the switch is in teach mode (17Vdc).

NON-CONTACT SAFETY SWITCHES WITH OSSD

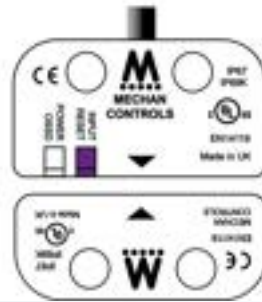
Teaching Function



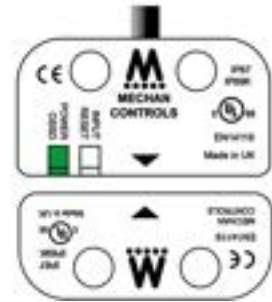
Step 1
Power/OSSD LED Flashing yellow indicates an incorrect coded actuator has been detected.



Step 2
Drop the supply to 0v then bring it back up to 17v. Input/Reset LED will begin to flash purple meaning it is ready to accept a new code.



Step 3
Bring the new actuator within operating distance of the switch. Input/Reset LED will stop flashing and turn solid purple. This means the new code has been accepted.



Step 4
Increase the supply to 24Vdc. Input/Reset LED will switch OFF or turn blue (if connected in monitored reset.) Power/OSSD LED will change to green.

Product Selection

OHE1 OSSD Safety Switch



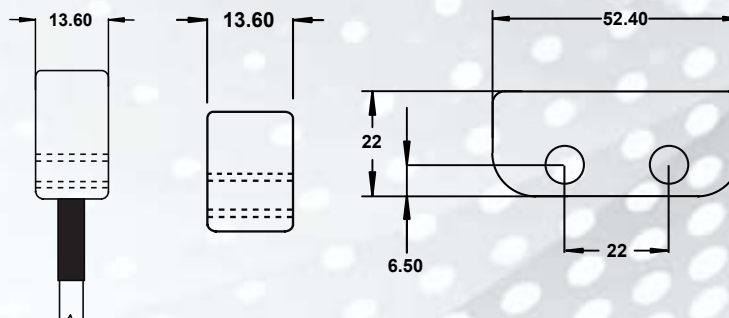
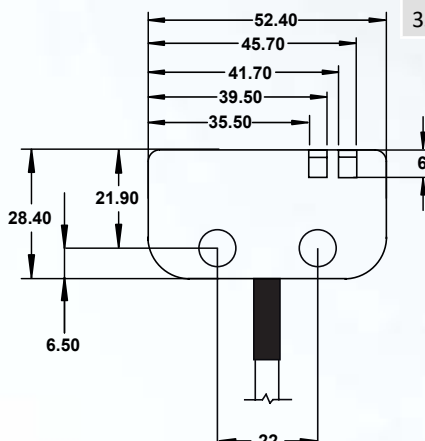
- ABS Housing
- Industry Standard Fixing
- Magnetically coded
- **2A Safety Output Rating**
- LED Guard Status Indication
- EDM Function available
- IP67, IP69K Tested
- Pre-wired & M12 options

Stock Code	Part Description	Safety Contacts	Aux Contact	EDM	Supply	Connection
365.001	OHE1-21-DC-03M	2	1	-	24VDC	03 metre pre-wired
365.002	OHE1-21-DC-06M	2	1	-	24VDC	06 metre pre-wired
365.003	OHE1-21-DC-10M	2	1	-	24VDC	10 metre pre-wired
365.004	OHE1-21-DC-EDM-03M	2	1	✓	24VDC	03 metre pre-wired
365.005	OHE1-21-DC-EDM-06M	2	1	✓	24VDC	06 metre pre-wired
365.006	OHE1-21-DC-EDM-10M	2	1	✓	24VDC	10 metre pre-wired
365.032	OHE1-30-DC-03M	3	0	-	24VDC	03 metre pre-wired
365.033	OHE1-30-DC-06M	3	0	-	24VDC	06 metre pre-wired
365.034	OHE1-30-DC-10M	3	0	-	24VDC	10 metre pre-wired
365.007	OHE1-21-DC-5LQD	2	1	-	24VDC	M12 5 Pin LQD
365.008	OHE1-21-DC-8LQD	2	1	-	24VDC	M12 8 Pin LQD

Cable Accessories for LQD version

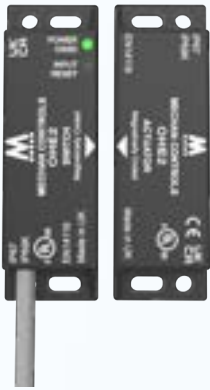
356.073	Cable 8 Core 5m	-	-	-	-	8-PIN M12 5M
356.077	Cable 8 Core 10m	-	-	-	-	8-PIN M12 10M

Quality Marks:



NON-CONTACT SAFETY SWITCHES WITH OSSD

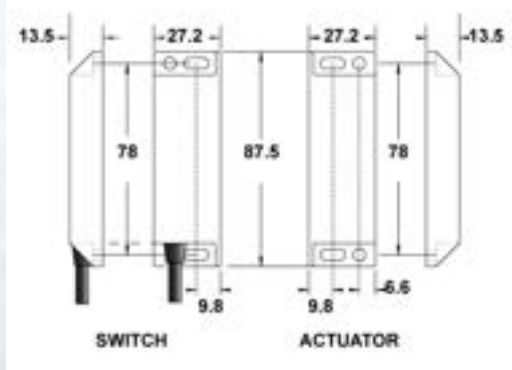
OHE2 OSSD ABS Safety Switch



- ABS Housing
- Industry Standard Fixing
- Magnetically coded
- **2A Safety Output Rating**
- LED Guard Status Indication
- IP67, IP69K Tested
- Pre-wired & M12 options

Stock Code	Part Description	Safety Contacts	Aux Contact	EDM	Supply	Connection
365.050	OHE2-21-DC-03M	2	1	-	24VDC	03 metre pre-wired
365.053	OHE2-21-DC-8LQD	2	1	-	24VDC	M12 8 Pin LQD
Cable Accessories for LQD version						
356.073	Cable 8 Core 5m	-	-	-	-	8-PIN M12 5M
356.077	Cable 8 Core 10m	-	-	-	-	8-PIN M12 10M

Quality Marks:



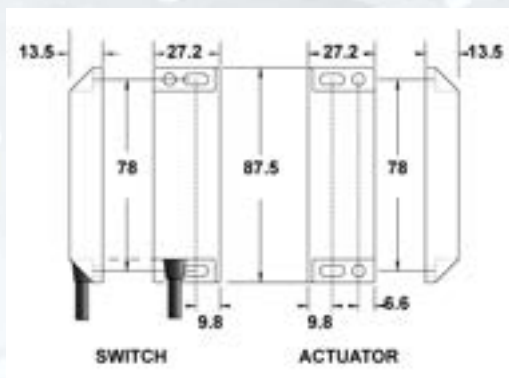
OHE2 OSSD Stainless Steel Safety Switch



- 316 Stainless Steel housing
- Industry Standard Fixing
- Magnetically coded
- **2A Safety Output Rating**
- LED Guard Status Indication
- IP67, IP69K Tested
- Pre-wired & M12 options

Stock Code	Part Description	Safety Contacts	Aux Contact	EDM	Supply	Connection
	OHE2-SS-21-DC-03M	2	1	-	24VDC	03 metre pre-wired
	OHE2-SS-21-DC-8LQD	2	1	-	24VDC	M12 8 Pin LQD
Cable Accessories for LQD version						
356.073	Cable 8 Core 5m	-	-	-	-	8-PIN M12 5M
356.077	Cable 8 Core 10m	-	-	-	-	8-PIN M12 10M

Quality Marks:



NON-CONTACT SAFETY SWITCHES WITH OSSD

ODNK OSSD ABS Safety Switch



- ABS Housing
- Industry Standard Fixing
- Uniquely Coded RFID (4 Billion Codes)
- 2A Safety Output Rating
- LED Guard Status Indication
- EDM Function available
- IP67, IP69K Tested
- Pre-wired & M12 options

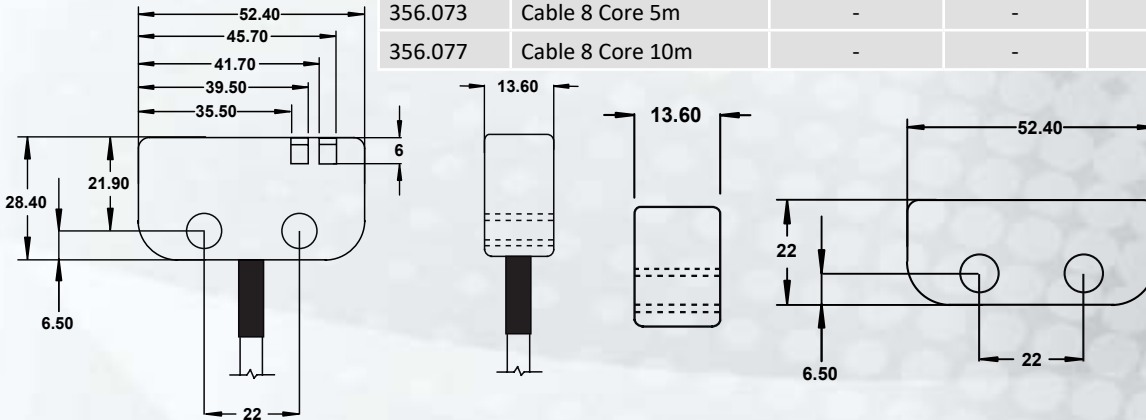
Stock Code	Part Description	Safety Contacts	Aux Contact	EDM	Supply	Connection
365.011	ODNK-21-DC-03M	2	1	-	24VDC	03 metre pre-wired
365.012	ODNK-21-DC-06M	2	1	-	24VDC	06 metre pre-wired
365.013	ODNK-21-DC-10M	2	1	-	24VDC	10 metre pre-wired
365.014	ODNK-21-DC-EDM-03M	2	1	✓	24VDC	03 metre pre-wired
365.015	ODNK-21-DC-EDM-06M	2	1	✓	24VDC	06 metre pre-wired
365.016	ODNK-21-DC-EDM-10M	2	1	✓	24VDC	10 metre pre-wired
365.035	ODNK-30-DC-03M	3	0	-	24VDC	03 metre pre-wired
365.036	ODNK-30-DC-06M	3	0	-	24VDC	06 metre pre-wired
365.037	ODNK-30-DC-10M	3	0	-	24VDC	10 metre pre-wired
365.017	ODNK-21-DC-5LQD	2	1	-	24VDC	M12 5 Pin LQD
365.018	ODNK-21-DC-8LQD	2	1	-	24VDC	M12 8 Pin LQD

Quality Marks:



Cable Accessories for LQD version

356.073	Cable 8 Core 5m	-	-	-	-	8-PIN M12 5M
356.077	Cable 8 Core 10m	-	-	-	-	8-PIN M12 10M



OSSG OSSD ABS Safety Switch



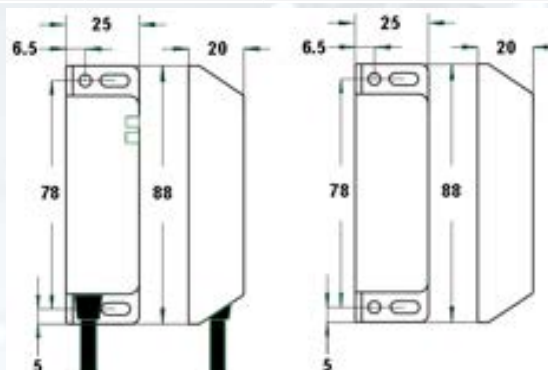
- ABS Housing
- Industry Standard Fixing
- Uniquely Coded RFID (4 Billion Codes)
- 2A Safety Output Rating
- LED Guard Status Indication
- IP67, IP69K Tested
- Pre-wired & M12 options

Stock Code	Part Description	Safety Contacts	Aux Contact	EDM	Supply	Connection
365.024	OSSG-21-DC-03M	2	1	-	24VDC	03 metre pre-wired
365.025	OSSG-21-DC-06M	2	1	-	24VDC	06 metre pre-wired
365.026	OSSG-21-DC-10M	2	1	-	24VDC	10 metre pre-wired
365.022	OSSG-21-DC-8LQD	2	1	-	24VDC	8 Pin M12 LQD

Cable Accessories for LQD version

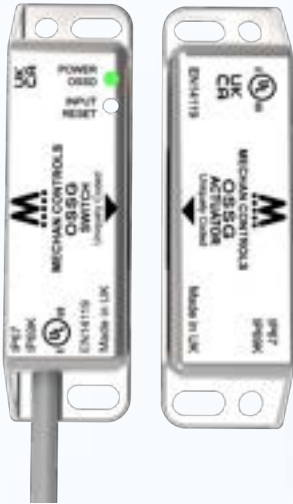
356.073	Cable 8 Core 5m	-	-	-	-	8-PIN M12 5M
356.077	Cable 8 Core 10m	-	-	-	-	8-PIN M12 10M

Quality Marks:



NON-CONTACT SAFETY SWITCHES WITH OSSD

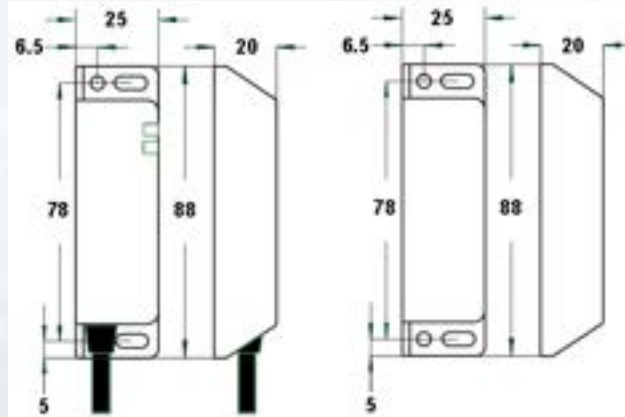
OSSG OSSD Stainless Steel Safety Switch



- 316 Stainless Steel
- Industry Standard Fixing
- Uniquely Coded RFID (4 Billion Codes)
- 2A Safety Output Rating
- LED Guard Status Indication
- IP67, IP69K Tested
- Pre-wired & M12 options

Stock Code	Part Description	Safety Contacts	Aux Contact	EDM	Supply	Connection
365.024	OSSG-SS-21-DC-03M	2	1	-	24VDC	03 metre pre-wired
365.022	OSSG-SS-21-DC-8LQD	2	1	-	24VDC	8 Pin M12 LQD
Cable Accessories for LQD version						
356.073	Cable 8 Core 5m	-	-	-	-	8-PIN M12 5M
356.077	Cable 8 Core 10m	-	-	-	-	8-PIN M12 10M

Quality Marks:



Part Number Explanation

OSSG - SS - 2 1 - DC - 03M

Housing Shape

ODNK
OSSG
OHE1
OHE2

Housing Material

Blank	Plastic
SS	Stainless Steel

Supply Voltage

DC	24VDC
----	-------

Safety Channels

2	2 N/O
---	-------

Auxiliary Channels

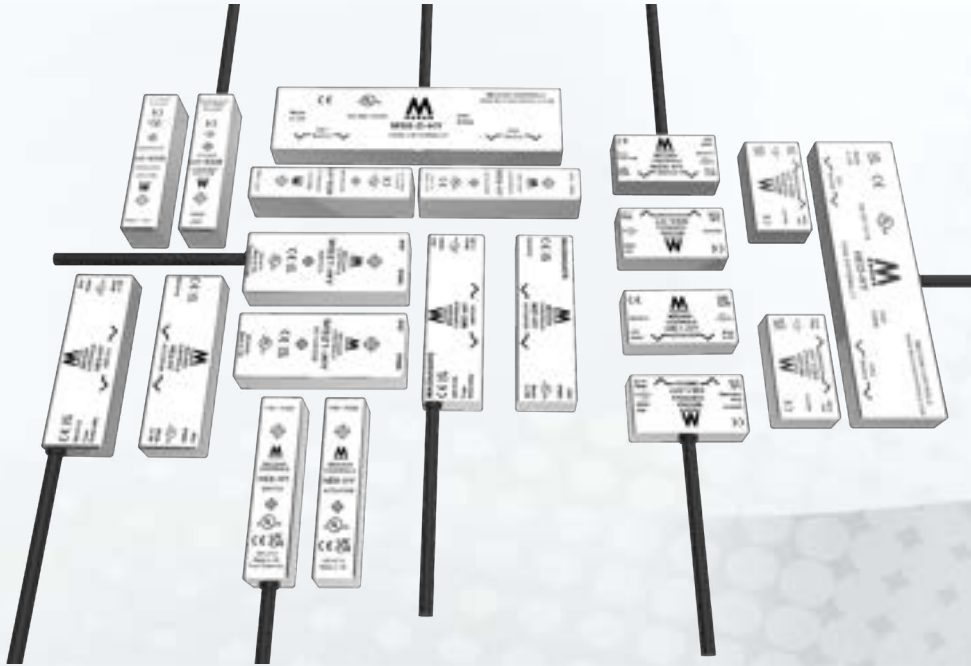
1	1 N/C
---	-------

Connection Type

03M	3 Metre Pre-Wired
06M	6 Metre Pre-Wired
10M	10 Metre Pre-Wired
5LQD	5-PIN M12 150mm LQD
8LQD	8-PIN M12 150mm LQD

Hygienic Range Features and Benefits

Introduction



The Hygienic Range, is the next generation of hygienic non-contact safety switches. These safety switches are available in a robust Ra0.4 polished 316 Grade Stainless Steel housing that is designed in line with the EHEDG guidelines. This means that it can be used in almost any environment and be subjected to high levels of cleaning following contamination from foreign particles. They can withstand CIP and SIP cleaning processes found in the food & beverage industries. Both switch and actuator are fully sealed to IP67 & IP69K making them suitable for use in wet or dusty environments. They are easy to install and tolerant to misalignment. With correct installation, these safety switches comply with the guidelines given in EN14119.

The Hygienic Range is designed to work with safety relays that have a low inrush current on the switch input, these switches provide an economical method of switching for the higher category, dual channel circuits.

Operation



The Magnasafe HY range is magnetically operated, they use high quality reeds and magnets to open and close the safety / auxiliary contacts. Mechanical Controls describe the state of the safety contacts as N/O (normally open) and the auxiliary contact as N/C (normally closed) when the door is open and not within operating distance.



The Hygienic safety switches have up to 2xN/O + 1xN/C solid state outputs along with built in LED(s) for indication. With power applied to the switch and actuator aligned correctly within the specified operating range, the N/O Outputs will be closed, the N/C Output will be open. When the actuator moves out of the operating range, the N/O Outputs will open, and the N/C Output will close. The actuator(s) can approach the switch from any angle without false tripping. When the guard is closed the targets on the printed face of the switch and actuator must be aligned.

Volt Free Outputs

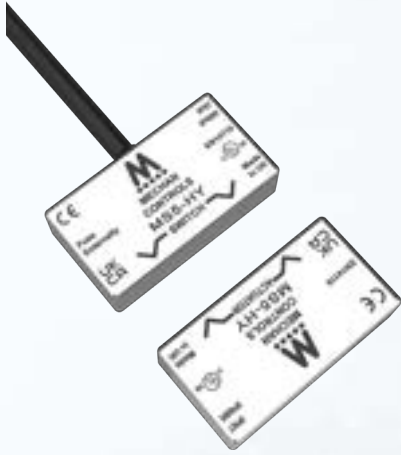
The Hygienic range uses volt free contact outputs. Volt free contacts are invariably mechanical contacts with no electrical connection to any other part of the equipment, with the contacts being opened and closed mechanically by the corresponding actuator. In order to form a safety circuit, a connection to monitored safety inputs is required.

Compliance

The Hygienic range are available with a wide selection of contact configurations. The dual channel versions meet the requirements of CAT4, SIL3, PL-e in accordance with ISO 13849-1 and IEC 62061. Following the guidelines set out in EN14119, the Hygienic range is suitable for most non-locking applications.

Product Selection

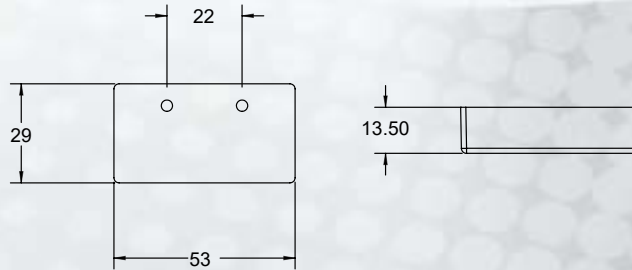
MS5-HY Hygienic Stainless Steel Safety Switch



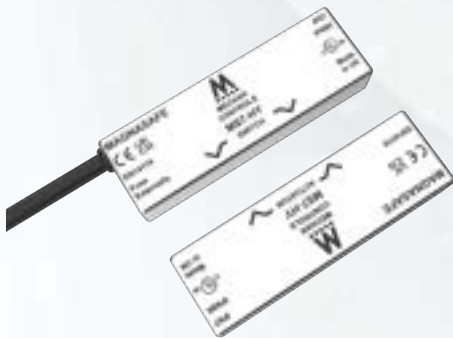
- 316 Stainless Steel Housing
- 22mm Industry Standard Fixing
- IP67, IP69K Tested
- 500mA Safety Output Rating
- Ra0.4 finished
- Suitable for Strict Washdown Environments
- Pre-wired & M12 options
- Rear Mounting

Part Description	Safety Contacts	Aux Contact	Supply	Connection
MS5-SS-21-DC-03M-HY	2	1	DC	03 metre pre-wired
MS5-SS-21-DC-06M-HY	2	1	DC	06 metre pre-wired
MS5-SS-21-DC-10M-HY	2	1	DC	10 metre pre-wired

Quality Marks:



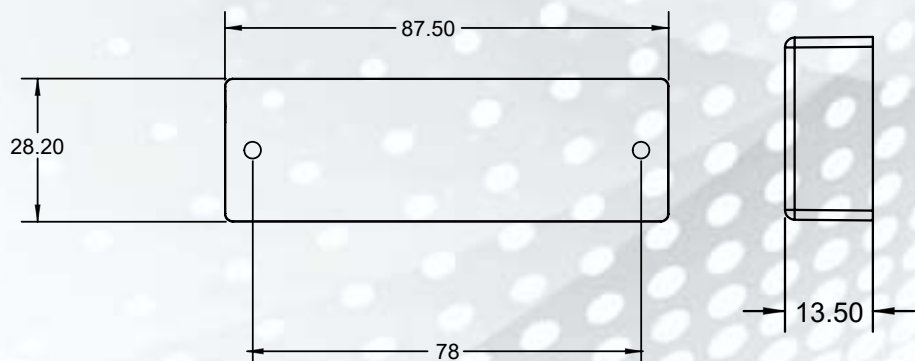
MS7-HY Hygienic Stainless Steel Safety Switch



- 316 Stainless Steel Housing
- European Standard Housing
- IP67, IP69K Tested
- 500mA Safety Output Rating
- Ra0.4 finished
- Suitable for Strict Washdown Environments
- Pre-wired & M12 options
- Rear Mounting

Part Description	Safety Contacts	Aux Contact	Supply	Connection
MS7-SS-21-DC-03M-HY	2	1	DC	03 metre pre-wired
MS7-SS-21-DC-06M-HY	2	1	DC	06 metre pre-wired
MS7-SS-21-DC-10M-HY	2	1	DC	10 metre pre-wired

Quality Marks:



NON-CONTACT SAFETY SWITCHES HYGIENIC

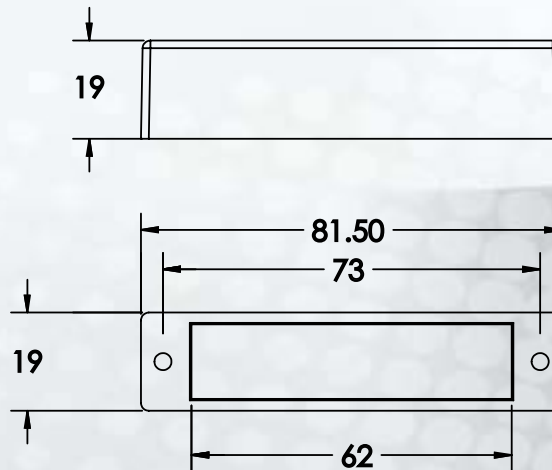
MS6-HY Hygienic Stainless Steel Safety Switch



- 316 Stainless Steel Housing
- Industry Standard Fixing
- IP67, IP69K Tested
- 500mA Safety Output Rating
- Ra0.4 finished
- Suitable for Strict Washdown Environments
- Pre-wired & M12 options
- Rear Mounting

Part Description	Safety Contacts	Aux Contact	Supply	Connection
MS6-SS-21-DC-03M-HY	2	1	DC	03 metre pre-wired
MS6-SS-21-DC-06M-HY	2	1	DC	06 metre pre-wired
MS6-SS-21-DC-10M-HY	2	1	DC	10 metre pre-wired

Quality Marks:



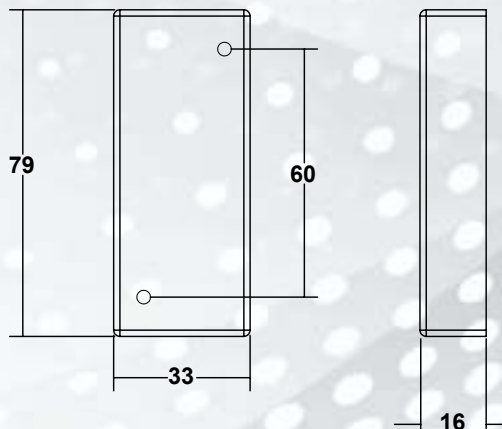
MS21-HY Hygienic Stainless Steel Safety Switch



- 316 Stainless Steel Housing
- Industry Standard Fixing
- IP67, IP69K Tested
- 500mA Safety Output Rating
- Ra0.4 finished
- Suitable for Strict Washdown Environments
- Pre-wired & M12 options
- Rear Mounting

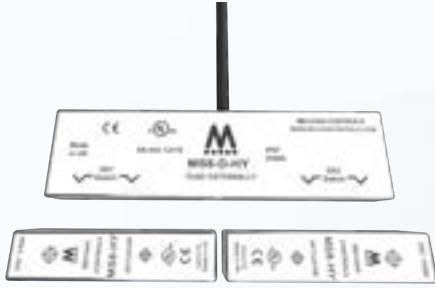
Part Description	Safety Contacts	Aux Contact	Supply	Connection
MS21-SS-21-DC-03M-HY	2	1	DC	03 metre pre-wired
MS21-SS-21-DC-06M-HY	2	1	DC	06 metre pre-wired
MS21-SS-21-DC-10M-HY	2	1	DC	10 metre pre-wired

Quality Marks:



NON-CONTACT SAFETY SWITCHES HYGIENIC

MS8-D-HY Hygienic Stainless Steel Safety Switch

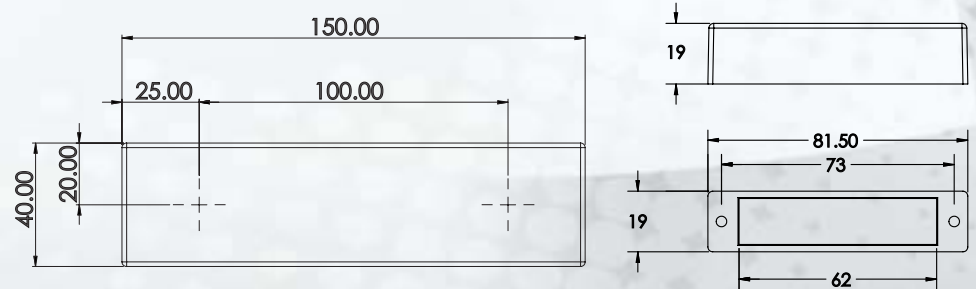


- 316 Stainless Steel Housing
- 22mm Industry Standard Fixing
- IP67, IP69K Tested
- 500mA Safety Output Rating
- Ra0.4 finished
- Suitable for Strict Washdown Environments
- Pre-wired & M12 options
- Rear Mounting

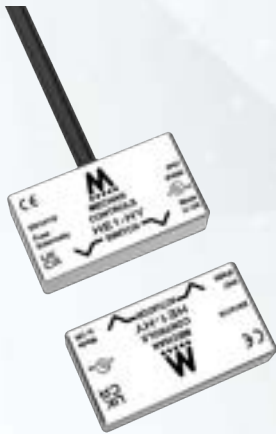
Quality Marks:



Stock Code	Part Description	Safety Contacts	Aux Contact	Supply	Connection
354.050	MS8-SS-21-DC-03M-D-HY	2	1	DC	03 metre pre-wired
354.062	MS8-SS-21-DC-06M-D-HY	2	1	DC	06 metre pre-wired
354.061	MS8-SS-21-DC-10M-D-HY	2	1	DC	10 metre pre-wired



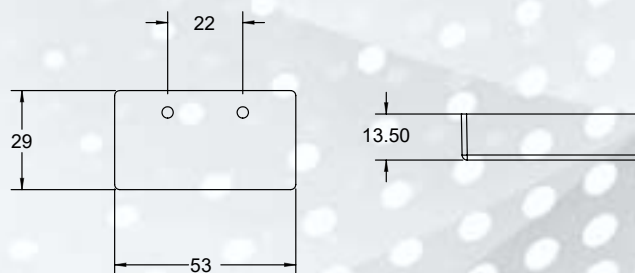
HE1-HY Hygienic Stainless Steel Safety Switch



- 316 Stainless Steel Housing
- 22mm Industry Standard Fixing
- IP67, IP69K Tested
- 500mA Safety Output Rating
- Ra0.4 finished
- Suitable for Strict Washdown Environments
- Pre-wired & M12 options
- Rear Mounting

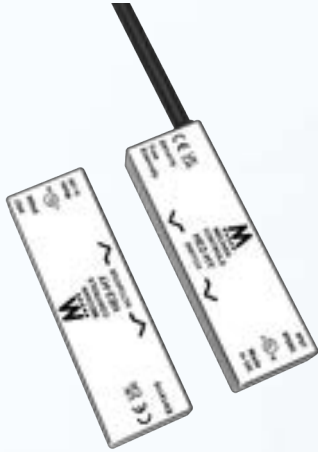
Part Description	Safety Contacts	Aux Contact	Supply	Connection
HE1-SS-21-DC-03M-HY	2	1	DC	03 metre pre-wired
HE1-SS-21-DC-06M-HY	2	1	DC	06 metre pre-wired
HE1-SS-21-DC-10M-HY	2	1	DC	10 metre pre-wired

Quality Marks:



NON-CONTACT SAFETY SWITCHES HYGIENIC

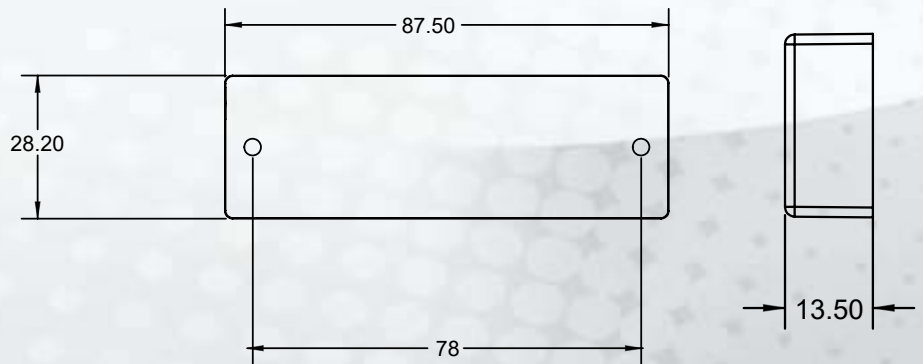
HE2-HY Hygienic Stainless Steel Safety Switch



- 316 Stainless Steel Housing
- European Standard Housing
- IP67, IP69K Tested
- 500mA Safety Output Rating
- Ra0.4 finished
- Suitable for Strict Washdown Environments
- Pre-wired & M12 options
- Rear Mounting

Part Description	Safety Contacts	Aux Contact	Supply	Connection
HE2-SS-21-DC-03M-HY	2	1	DC	03 metre pre-wired
HE2-SS-21-DC-06M-HY	2	1	DC	06 metre pre-wired
HE2-SS-21-DC-10M-HY	2	1	DC	10 metre pre-wired

Quality Marks:



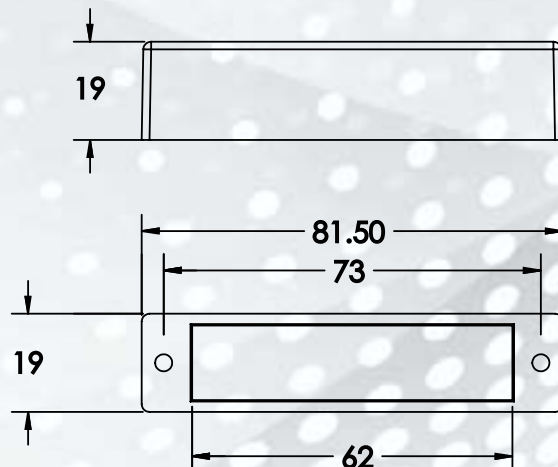
HE6-HY Hygienic Stainless Steel Safety Switch



- 316 Stainless Steel Housing
- Industry Standard Fixing
- IP67, IP69K Tested
- 500mA Safety Output Rating
- Ra0.4 finished
- Suitable for Strict Washdown Environments
- Pre-wired & M12 options
- Rear Mounting

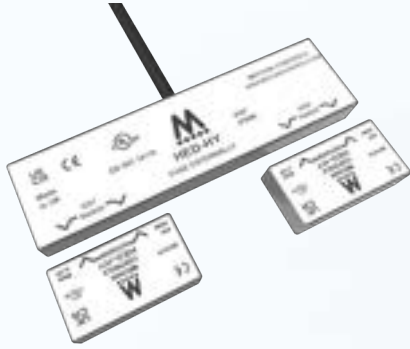
Part Description	Safety Contacts	Aux Contact	Supply	Connection
HE6-SS-21-DC-03M-HY	2	1	DC	03 metre pre-wired
HE6-SS-21-DC-06M-HY	2	1	DC	06 metre pre-wired
HE6-SS-21-DC-10M-HY	2	1	DC	10 metre pre-wired

Quality Marks:



NON-CONTACT SAFETY SWITCHES HYGIENIC

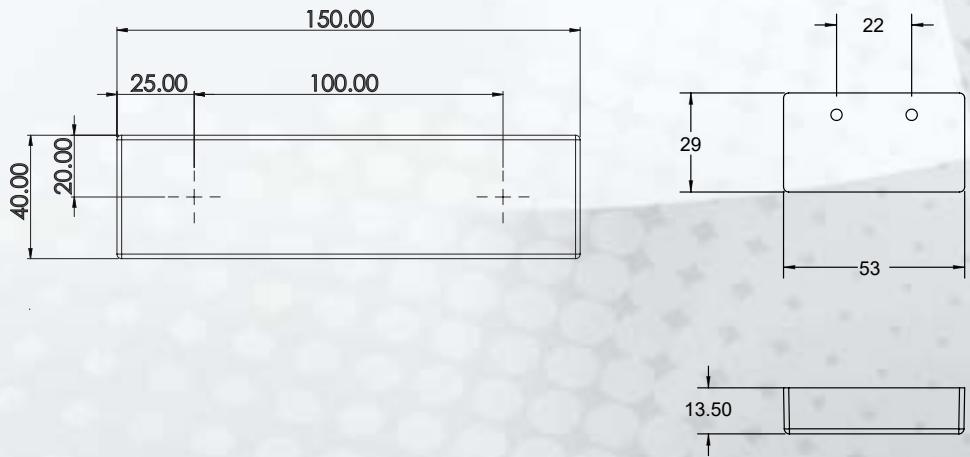
HED-HY Hygienic Stainless Steel Safety Switch



- 316 Stainless Steel Housing
- 22mm Industry Standard Fixing
- IP67, IP69K Tested
- 500mA Safety Output Rating
- Ra0.4 finished
- Suitable for Strict Washdown Environments
- Pre-wired & M12 options
- Rear Mounting

Part Description	Safety Contacts	Aux Contact	Supply	Connection
HED-SS-21-DC-03M-D-HY	2	1	DC	03 metre pre-wired
HED-SS-21-DC-06M-D-HY	2	1	DC	06 metre pre-wired
HED-SS-21-DC-10M-D-HY	2	1	DC	10 metre pre-wired

Quality Marks:



Part Number Explanation

MS* - **SS** - **21** - ***C** - **03M** - **HY**

Housing Shape

MS5
MS6
MS7
MS21
MS8-D
HE1
HE2
HE6
HED

Housing Material

SS Stainless Steel

Safety Channels

2 2 N/O (when door is open)

Output Voltage

DC 24VDC

Auxiliary Channels

1 1 N/C (when door is open)

Special Cable

HY Hygienic Version

Connection Type

03M 3 Metre Pre-Wired
06M 6 Metre Pre-Wired
10M 10 Metre Pre-Wired

NON-CONTACT SAFETY SWITCHES ATEX

ATEX Features and Benefits



Introduction



MAGNASAFE MS5-EX, MS7-EX, MS6-EX, MS21-EX safety switches are non-contact, magnetically operated switch and actuator. Designed to work with safety relays that have a low inrush current on the switch input, these switches provides an economical method of switching for the higher category, dual channel circuits.

These ATEX rated safety switches are available in a robust 316 Grade Stainless Steel housing, and both switch and actuator are fully sealed to IP67 & IP69K making them suitable for use in wet or dusty environments. They are easy to install and tolerant to misalignment. With correct installation, these safety switches comply with the guidelines given in EN14119.

Classifications

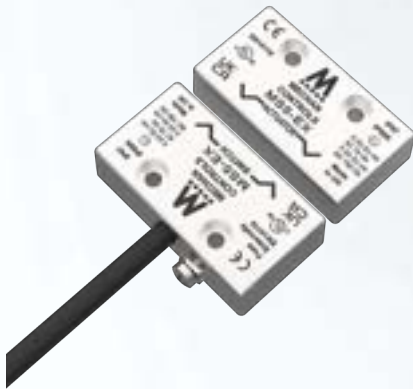
Atex Standards and Classifications	
Certification Standards	IEC 60070-0 (EN60079-0)
	IEC 60079-18 (EN60079-18)
Classification	MS5-EX (Zones 1, 21, 2, 22)
	MS7-EX (Zones 1, 21, 2, 22)
	MS6-EX (Zones 1, 21, 2, 22)
	MS21-EX (Zones 0, 1, 21, 2, 22)
	II 2G Ex mb IIC T6 Gb
	II 2D Ex mb IIIC T80 Db

Product Selection

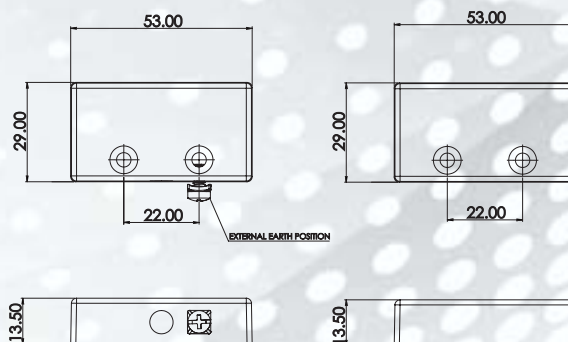
MS5-EX Stainless Steel Safety Switch

- 316 Stainless Steel Housing
- 22mm Industry Standard Fixing
- IP67, IP69K Tested
- 500mA Safety Output Rating
- Cost Effective Design, Ideal for OEM's
- Pre-wired connection
- Tolerant to Misalignment
- ATEX & IECEx rated

Part Description	Safety Contacts	Aux Contact	Supply	Connection
MS5-EX-SS-21-DC-03M	2	1	DC	03 metre pre-wired
MS5-EX-SS-21-DC-06M	2	1	DC	06 metre pre-wired
MS5-EX-SS-21-DC-10M	2	1	DC	10 metre pre-wired

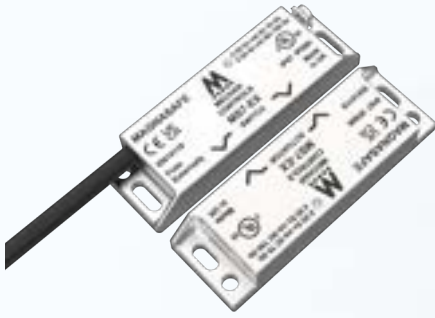


Quality Marks:



NON-CONTACT SAFETY SWITCHES ATEX

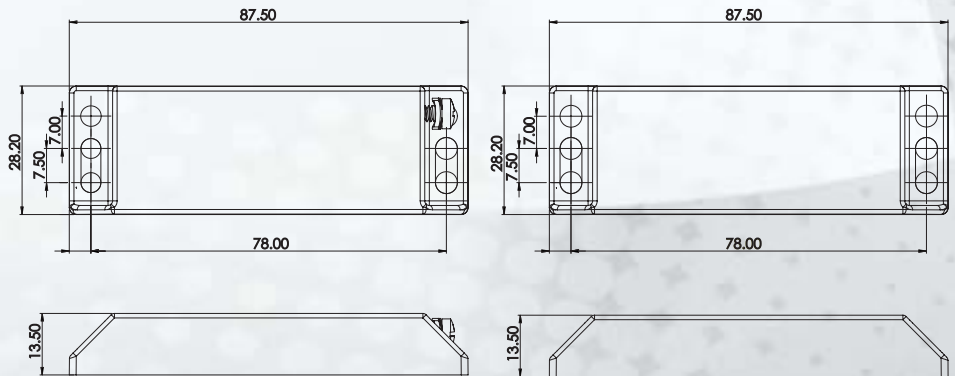
MS7-EX Stainless Steel Safety Switch



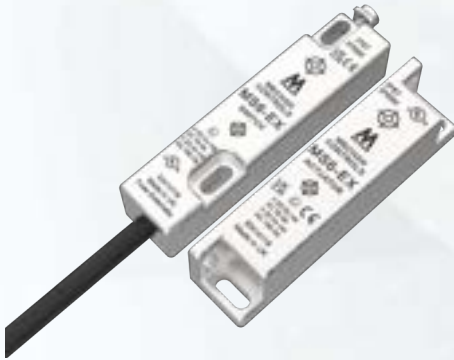
- 316 Stainless Steel Housing
- Industry Standard Fixing
- IP67, IP69K Tested
- 500mA Safety Output Rating
- Cost Effective Design, Ideal for OEM's
- Pre-wired connection
- Tolerant to Misalignment
- ATEX & IECEx rated

Part Description	Safety Contacts	Aux Contact	Supply	Connection
MS7-EX-SS-21-DC-03M	2	1	DC	03 metre pre-wired
MS7-EX-SS-21-DC-06M	2	1	DC	06 metre pre-wired
MS7-EX-SS-21-DC-10M	2	1	DC	10 metre pre-wired

Quality Marks:



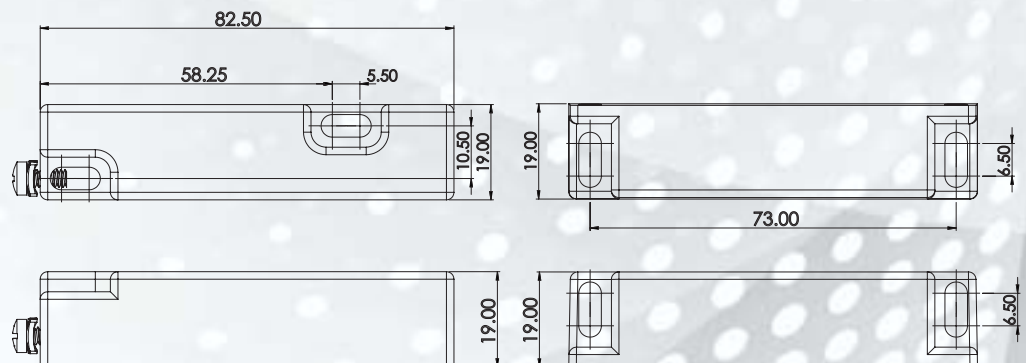
MS6-EX Stainless Steel Safety Switch



- 316 Stainless Steel Housing
- Industry Standard Fixing
- IP67, IP69K Tested
- 500mA Safety Output Rating
- Cost Effective Design, Ideal for OEM's
- Pre-wired connection
- Tolerant to Misalignment
- ATEX & IECEx rated

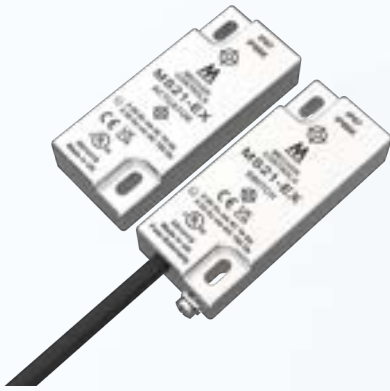
Part Description	Safety Contacts	Aux Contact	Supply	Connection
MS6-EX-SS-21-DC-03M	2	1	DC	03 metre pre-wired
MS6-EX-SS-21-DC-06M	2	1	DC	06 metre pre-wired
MS6-EX-SS-21-DC-10M	2	1	DC	10 metre pre-wired

Quality Marks:



NON-CONTACT SAFETY SWITCHES ATEX

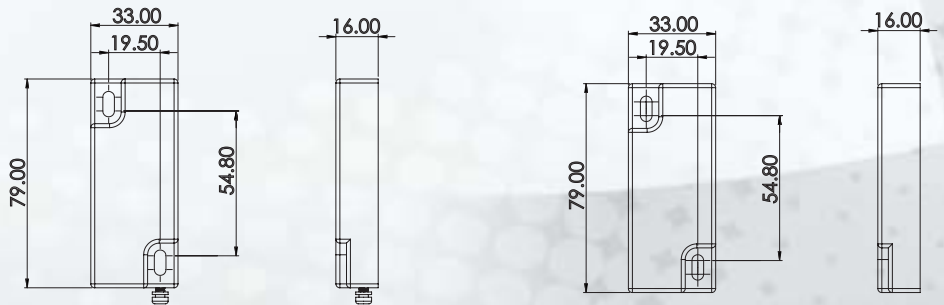
MS21-EX Stainless Steel Safety Switch



- 316 Stainless Steel Housing
- Industry Standard Fixing
- IP67, IP69K Tested
- 500mA Safety Output Rating
- Cost Effective Design, Ideal for OEM's
- Pre-wired connection
- Tolerant to Misalignment
- ATEX & IECEx rated

Part Description	Safety Contacts	Aux Contact	Supply	Connection
MS21-EX-SS-21-DC-03M	2	1	DC	03 metre pre-wired
MS21-EX-SS-21-DC-06M	2	1	DC	06 metre pre-wired
MS21-EX-SS-21-DC-10M	2	1	DC	10 metre pre-wired

Quality Marks:



Part Number Explanation

MS* - **SS** - **21** - ***C** - **03M**

Housing Shape

MS5-EX
MS6-EX
MS7-EX
MS21-EX

Housing Material

SS Stainless Steel

Safety Channels

2 2 N/O (when door is open)

Output Voltage

DC 24VDC

Auxiliary Channels

1 1 N/C (when door is open)

Connection Type

03M 3 Metre Pre-Wired
06M 6 Metre Pre-Wired
10M 10 Metre Pre-Wired

Safety Relay Features and Benefits

EM-Series

Introduction



The EM-Series is an expandable safety relay designed to eliminate fault masking without the need for programming. Using the EM1 master control unit and ESM expander module, the system can monitor up to 20 Dual channel safety devices ranging from Emergency Stops, Mechanical Interlocks, Non-Contact Safety Switches, Grab-Wires plus more. **This system does not require programming!**

The EM1 master control unit can also be used with the GSM, to mix and match different types of safety devices.

GM-Series

Introduction

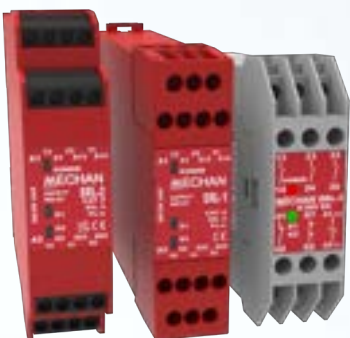


The GM1/GSM is an expandable safety controls unit designed to monitor multiple Mechan Controls Lightcurtains (MLG-Series) on a single system (zone). The master control unit (GM1) can monitor one pair of MLG-Series Lightcurtain (transmitter & receiver) and each additional Light curtain set can be monitored by adding an additional GSM extender module. This system can also be used to safely monitor other Mechan Controls products such as O-Type safety switches and the Proton solenoid interlock. **This system does not require programming!**

The GM1 master control unit can also be used with the ESM, to mix and match different types of safety devices.

SRL1, SRL2, SRL3

Introduction



The SRL-1, SRL-2 and SRL-3 Safety relays have dual channels, low voltage inputs, two or three normally open control contact outputs and one normally closed indication contact. With LED indication to speed up fault finding and a slim 22.5mm DIN rail mounting enclosure, the SRL-1, SRL-2 and SRL-3 takes up minimum control panel space. Designed for operation with the Mechan range of non-contact safety switches, the SRL-1, SRL-2 and SRL3 is also suitable for use with dual channel Emergency Stop buttons, or safety devices with 2 safety outputs e.g mechanical safety switches. Depending on installation the SRL-1, SRL-2 and SRL-3 can be used in CAT-4 / SIL 3 safety circuits.

Product Selection

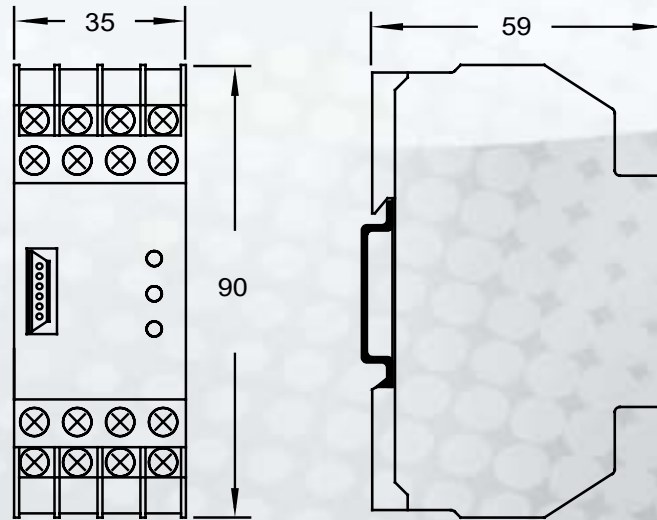
EM1 Safety Relay



- ABS Housing
- DIN Rail Mounted
- IP30
- 2Amp Safety Output Rating
- DIN Rail mounted
- Accept volt free inputs

Stock Code	Part Description	Safety Contacts	Aux Contact	Supply	Connection
330.005	EM1-24VDC	2	1	DC	DIN Rail mounted

Quality Marks:



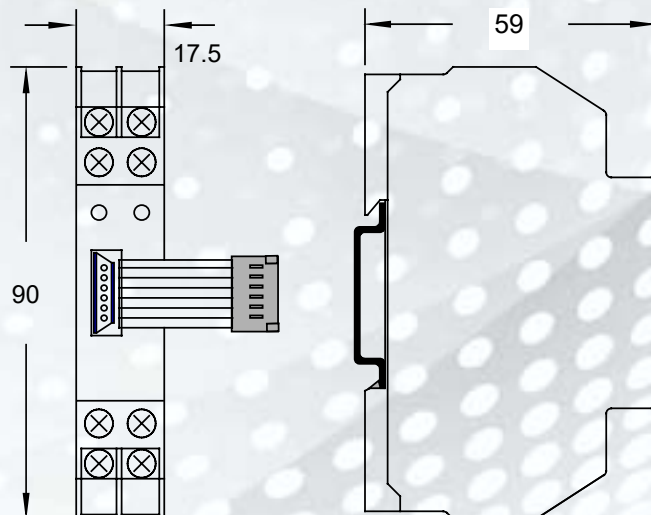
ESM Relay Extender Module



- ABS Housing
- DIN Rail Mounted
- IP30
- Safety Output Rating from EM1
- DIN Rail mounted
- Accepts volt free inputs
- Used with EM1 or GM1

Stock Code	Part Description	Safety Contacts	Aux Contact	Supply	Connection
330.006	ESM emergency stop	2	1	DC	DIN Rail mounted

Quality Marks:



SAFETY RELAYS

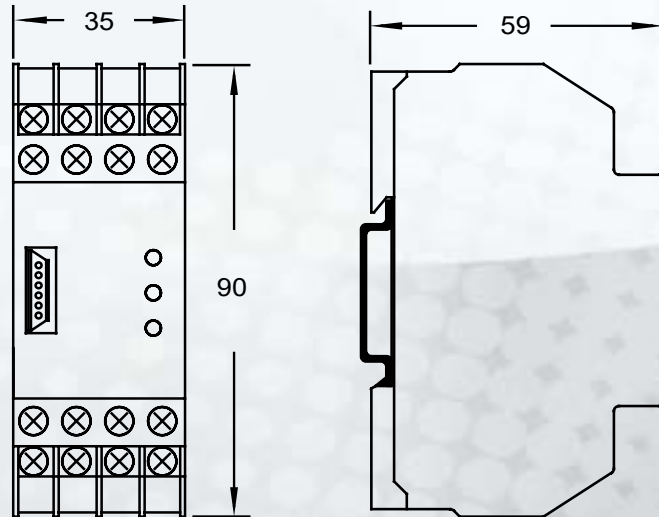
GM1 OSSD Safety Relay



- ABS Housing
- DIN Rail Mounted
- IP30
- 2Amp Safety Output Rating
- DIN Rail mounted
- Accepts OSSD inputs

Stock Code	Part Description	Safety Contacts	Aux Contact	Supply	Connection
330.007	GM1-24VDC OSSD	2	1	DC	DIN Rail mounted

Quality Marks:



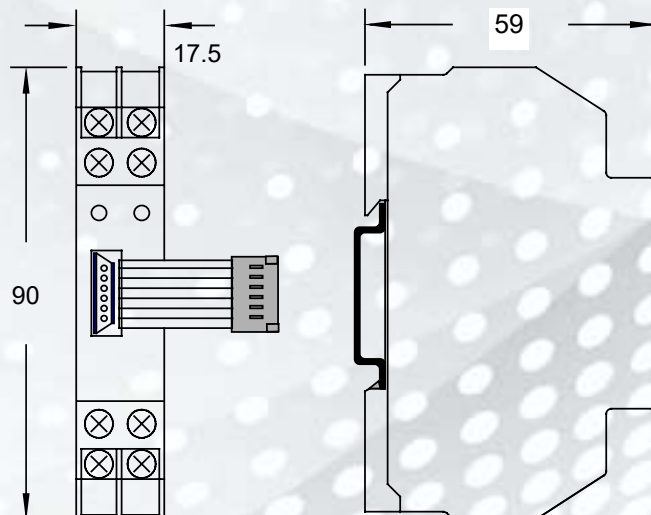
GSM OSSD Relay Extender Module



- ABS Housing
- DIN Rail Mounted
- IP30
- Safety Output Rating from GM1
- DIN Rail mounted
- Accepts OSSD inputs
- Used with GM1 or EM1

Stock Code	Part Description	Safety Contacts	Aux Contact	Supply	Connection
330.008	GSM OSSD Extender	2	1	DC	DIN Rail mounted

Quality Marks:



SAFETY RELAYS

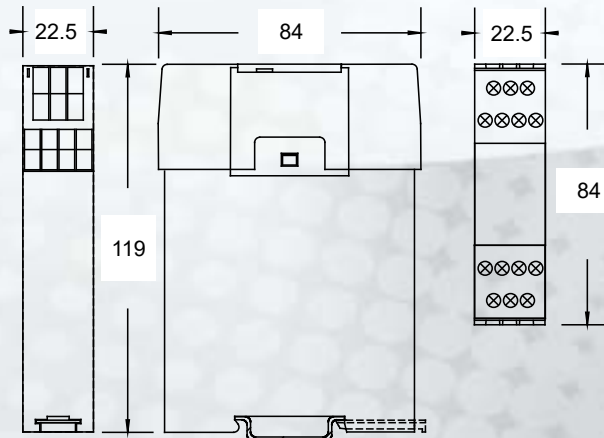
SRL1 Safety Relay



- ABS Housing
- DIN Rail Mounted
- IP30
- 2-4 Amp Safety Output Rating
- DIN Rail mounted
- Accepts volt free inputs

Stock Code	Part Description	Safety Contacts	Aux Contact	Supply	Connection
307.004	SRL1 Safety Relay 24V AC/DC	2	1	AC/DC	DIN rail mounted

Quality Marks:



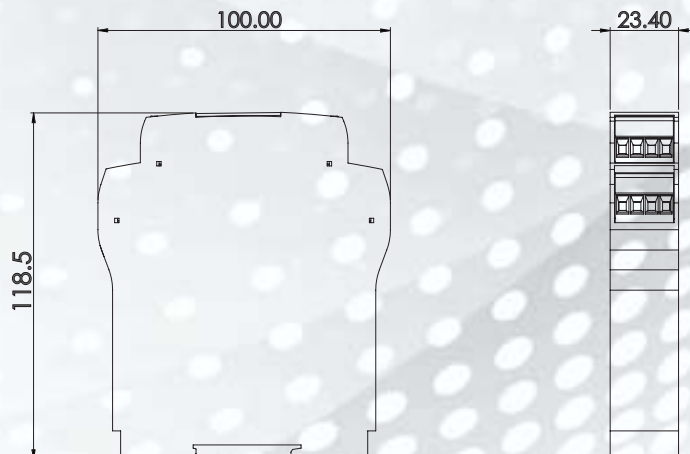
SRL2 Safety Relay



- ABS Housing
- DIN Rail Mounted
- IP30
- 2-4 Amp Safety Output Rating
- DIN Rail mounted
- Accepts volt free inputs
- 24VDC or 110-230 VAC supply

Part Description	Safety Contacts	Aux Contact	Supply	Connection
SRL2 Safety Relay 24V DC	3	1	DC	DIN rail mounted
SRL2 Safety Relay 110-230VAC	3	1	AC	DIN rail mounted

Quality Marks:



SAFETY RELAYS

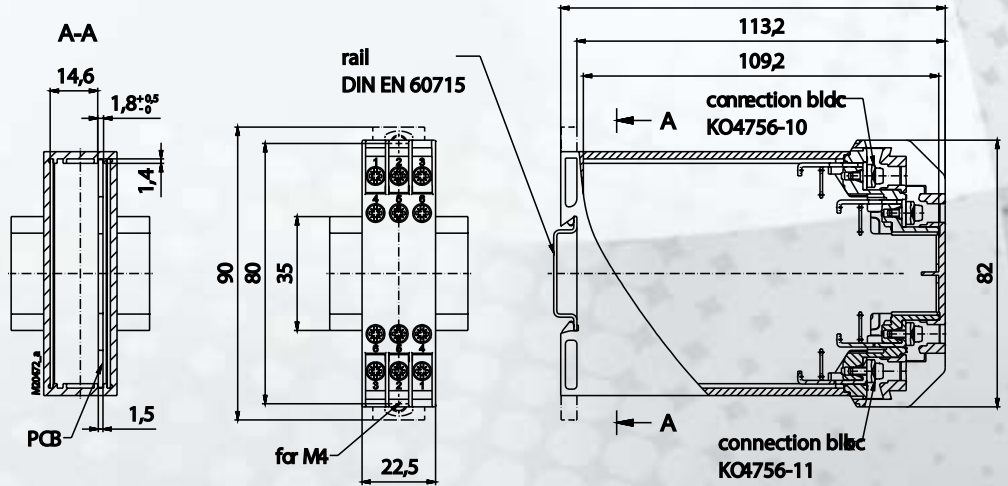
SRL3 Safety Relay



- ABS Housing
- DIN Rail Mounted
- IP30
- 2-4 Amp Safety Output Rating
- DIN Rail mounted
- Accepts volt free inputs
- Can operate from 8V to 36V

Part Description	Safety Contacts	Aux Contact	Supply	Connection
SRL3 Safety Relay 8-36V DC	2	1	DC	DIN rail mounted

Quality Marks:



Part Number Explanation

EM1 - 24VDC

Housing Shape

EM1
ESM
GM1
GSM
SRL1
SRL2
SRL3

Supply Voltage

DC	24VDC
AC	24VAC

Proton Features and Benefits



Introduction

The Proton advance solenoid interlock has been designed for use on machines where hazardous conditions persist even after the machine has been switched off. The robust design and heavy-duty solenoid can withstand up to 2000N hold force and energise under a lateral load. The internal specifications meet the requirements for CAT4, SIL3 and have been designed to maintain PL-e even when connected in series. The unique mounting holes allow for easy installation on 3-faces, ideal for both hinged and sliding door applications.

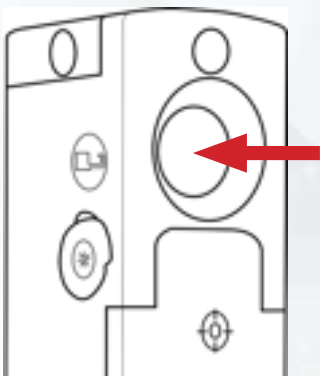
The spring-loaded actuator means the Proton excels at misalignment tolerances. Its failsafe design also includes a uniquely coded RFID signal (4 billion codes), so only when the actuator plunger and RFID signal are satisfied, will the Proton operate.

Operation

The Proton R-Type solenoid interlock features volt free contact output technology. Each switch includes 2 normally open and 1 normally closed outputs that are designed to be connected to a Mechan Safety Relay (SRL-1 or EM1 & ESM) or any Safety PLC. The Proton R-Type includes 6 LEDs, 3 on each side that display the same data and provide visual diagnostics for ALL states of the device. The Proton R-Type is designed to work with safety relays that have a low inrush current.

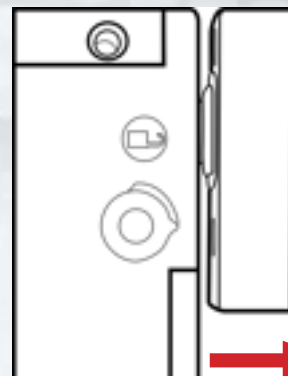


Dustproof



The switch comes with a through hole for the actuator to be inserted. Due to its unique design, any dust or material that gets inside can be easily washed out. No electronics are used in this part offering IP67 protection (pre-wired versions only).

Holding Force



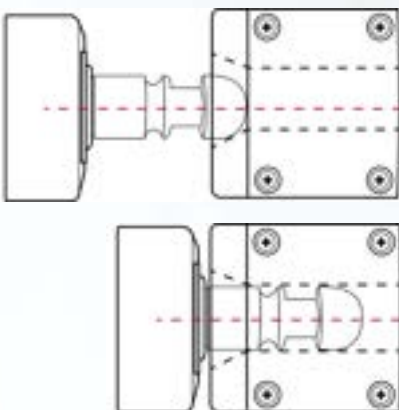
2000 N

The Proton guarantees a maximum actuator holding force of:

$$F_{1\max} = 2000 \text{ N}$$

The actuator has a reinforced stainless steel back plate.

Self Centring Actuator





The Proton comes with an O-ring and spring-loaded actuator plunger for self-centring. This solution reduces the probability of a collision between the switch and actuator making it possible to install the device even on misaligned guards.

RFID Technology + Re-Teaching

The RFID technology means every actuator has its own unique code up to 4 billion possible combinations. They are therefore classified as high level coded actuators, according to EN ISO 14119.



To teach a new actuator/switch the supply voltage for the switch needs to be dropped down to 17v then the new actuator is brought in. The switch LED will flash purple  a couple of seconds and then hold solid purple  when the new switch/actuator is coded. Now bring the supply back up to 24Vdc and the switch and actuator will work together.

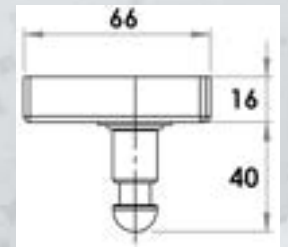
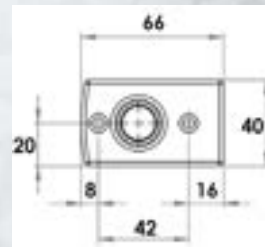
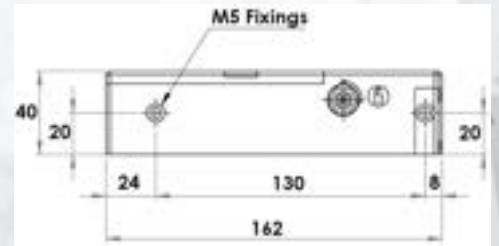
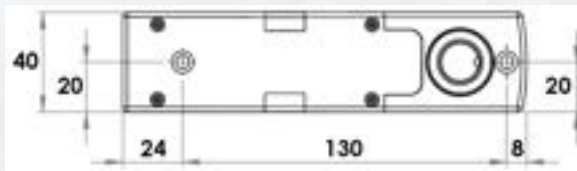
Proton Solenoid Interlock



- Power to Unlock
- 2000N holding force
- IP67 rated
- 500mA Safety Output Rating
- Uniquely Coded RFID (4 Billion Codes)
- 2NO / 1NC contacts
- Pre-wired or M12 QD connection
- RGB LED Indication

Stock Code	Part Description	Safety Contacts	Aux Contact	Supply	Connection
317.001	PROTON-R-21-24VDC-03M	2	1	DC	03 metre pre-wired
317.002	PROTON-R-21-24VDC-06M	2	1	DC	06 metre pre-wired
317.003	PROTON-R-21-24VDC-10M	2	1	DC	10 metre pre-wired

Quality Marks:



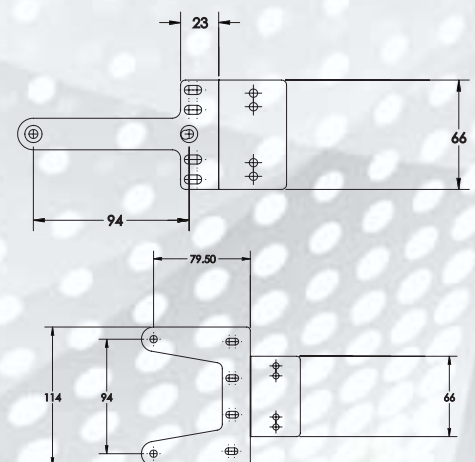
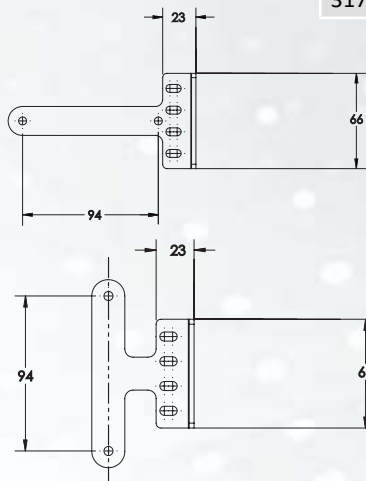
Proton Accessories Handles



- 316 Stainless Steel Brackets
- Hinged & Sliding doors
- IP67 rated
- Spring loaded plunger
- Uniquely Coded RFID (4 Billion Codes)

Stock Code	Part Description
317.015	PROTON-ACT Hinged Horizontal
317.016	PROTON-ACT Hinged Vertical
317.017	PROTON-ACT Sliding Horizontal
317.018	PROTON-ACT Sliding Vertical

Quality Marks:



Part Number Explanation

PROTON - R - 2 1 - 24VDC - 03M

Housing Shape
PROTON

Housing Material
R RFID Technology

Safety Channels
2 2 N/O (when door is open)

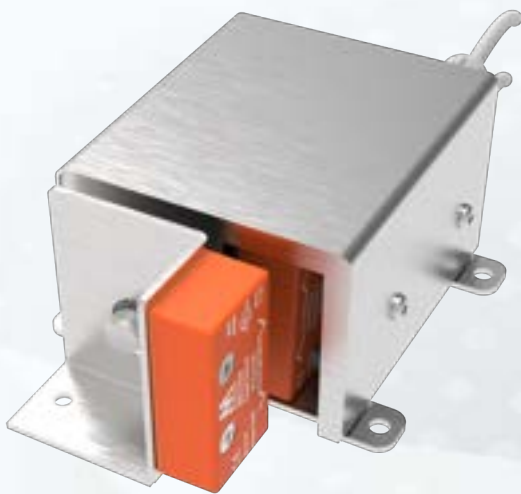
Supply Voltage
24VDC 24VDC

Auxiliary Channels
1 1 N/C (when door is open)

Connection Type

03M	3 Metre Pre-Wired
06M	6 Metre Pre-Wired
10M	10 Metre Pre-Wired
QD	M12 QD

PLU2 R-Series Features and Benefits

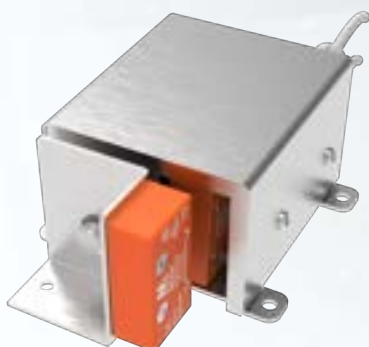


Introduction

PLU2 R-Series Air operated Locking unit is a complete, fail-safe system designed to lock a Gate or Access Lid securely until it is safe to enter. This can be determined either by a Motion Stop detector or a simple timer. It incorporates both a Bolt Position Sensor Switch and a Mechan 4 Billion uniquely coded Guard switch to sense when the locking bracket is in position, with a 3000N locking force. The bolt must be in the out position and the locking bracket in place before the machine can be re-started.

Product Selection

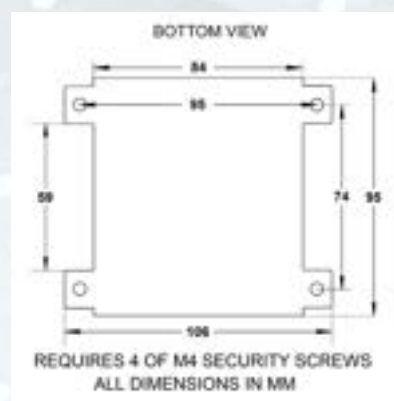
PLU2 R-Series Air operated locking unit



- 316 Stainless Steel housing
- 2 forms of safety
- Fail safe pneumatic cylinder
- Can be connected to any safety relay
- 3000N holding force
- Robust and durable housing
- RFID technology & Pneumatic bolt
- Pre-wired connection
- **Uniquely Coded RFID (4 Billion Codes)**

Stock Code	Part Description	Connection
318.009	PLU-2 R'SERIES STAINLESS STEEL PNEUMATIC LOCKING UNIT	15 metre pre-wired

Quality Marks:



Tongue Guard Features and Benefits

Introduction



The Tongue Guard safety tongue interlock switch is designed to fit on hinged, lift or sliding guards. The TG1 has two key entry points and a rotatable head, this is movable by releasing the cover screws. By doing this, it will allow for four key entry points. The Tongue Guard uses force guided contacts and a tamper resistant mechanism, this allows it to be safely guarded and adhere to the machinery directive.

The TG1 safety switches are available in a robust ABS, or 316 Grade Stainless Steel housing. They are easy to install with correct installation, these safety interlocks comply with the guidelines given in EN60947-5-1.

Mounting

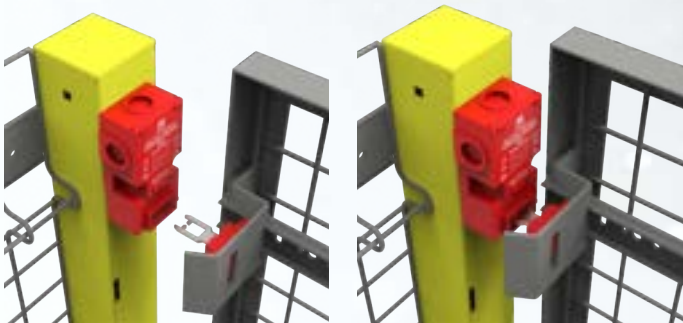


A risk assessment for each application must be undertaken before installation. The Tongue Guard safety switch is designed to be mounted on the leading edge of a sliding door, hinge door or lifting guard. The TG1 should be aligned with its corresponding actuator on the door. The body of the Tongue Guard should be fixed to the door frame using the screws provided and tightened.

Operation

The TG1 operates via the actuator being inserted into the main TG1 body, by doing this it would cause the contact block to switch and the machine to be able to be restarted or run.

Note: The safety contacts are described as normally closed (NC) with the guard closed, the actuator in place and the machine able to be started.



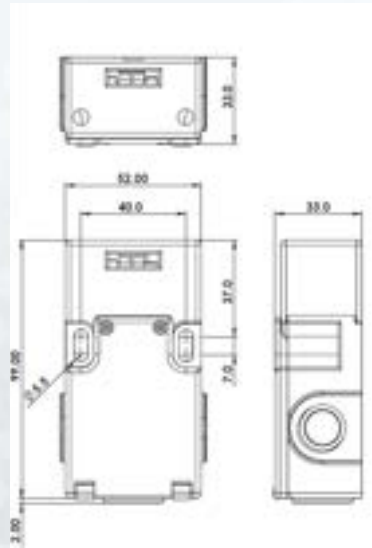
Tongue Guard TG1 ABS Interlock



- ABS Construction
- 2 Head positions @ 180°
- IP67 rated
- 20N Break Contact force
- 2NC / 2NO or 3NC / 1NO contact configurations
- Pre-wired connection

Stock Code	Part Description	Open Contacts	Closed Contacts	Supply
316.001	TG1-22	2	2	DC
316.002	TG1-31	1	3	DC

Quality Marks:



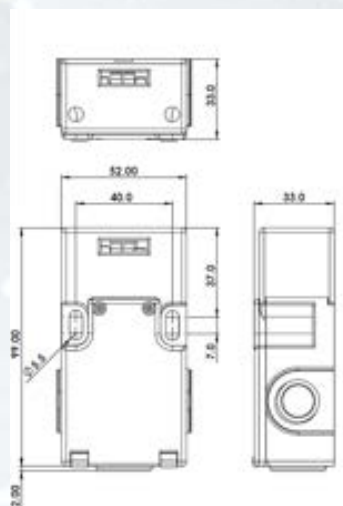
Tongue Guard TG1 ABS with stainless steel head Interlock



- ABS Construction
- 316 Stainless Steel Head
- 2 Head positions @ 180°
- IP67 rated
- 20N Break Contact force
- 2NC / 2NO or 3NC / 1NO contact configurations
- Pre-wired connection

Stock Code	Part Description	Open Contacts	Closed Contacts	Supply
316.005	TG1-22-SSH	2	2	DC
316.006	TG1-31-SSH	1	3	DC

Quality Marks:



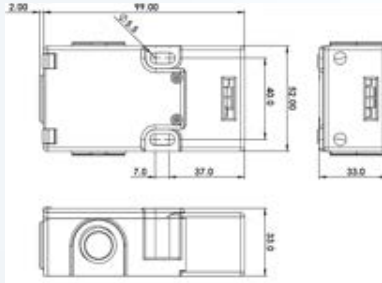
TONGUE SWITCHES

Tongue Guard TG1 stainless steel Interlock



- 316 Stainless Steel
- 2 Head positions @ 180°
- IP67 rated
- 20N Break Contact force
- 2NC / 2NO or 3NC / 1NO contact configurations
- Pre-wired connection

Stock Code	Part Description	Open Contacts	Closed Contacts	Supply
316.003	TG1-SS-22	2	2	DC
316.004	TG1-SS-31	1	3	DC



Quality Marks:



Tongue Guard TG1 Actuators

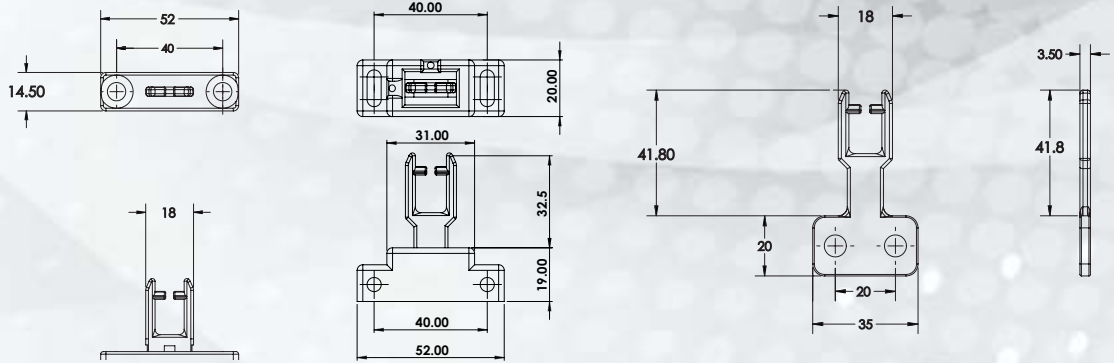
- 316 Stainless Steel
- Standard Actuator
- Flat Actuator
- Flexible Actuator
- Industry Standard Fixings



Quality Marks:



Stock Code	Part Description
316.020	ST (TG1 Standard Actuator)
316.021	FLX (TG1 Flexible Actuator)
316.022	FLT (TG1 Flat Actuator)



Part Number Explanation

TG1 - SS - 22 - SSH

Housing Shape

TG1

Housing Material

Blank Plastic

SS Stainless Steel

Safety Channels

2 2 N/C (when door is open)

3 3 N/C (when door is open)

TG1 Head Housing

Blank Plastic

SSH Stainless Steel Head

Auxiliary Channels

1 1 N/O (when door is open)

2 2 N/O (when door is open)

HINGE SWITCHES

Turncam Features and Benefits

Introduction

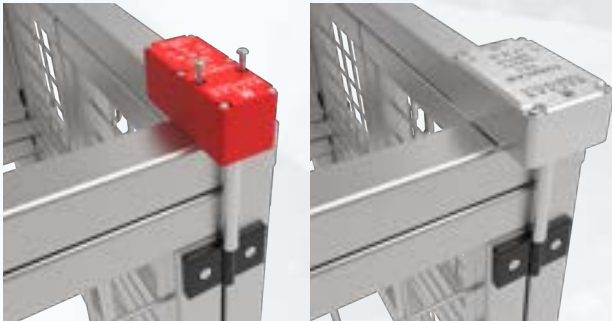


TURNCAM safety switches are hinge mounted, rotating switches and are suitable for use in machine guarding applications. The Turncam operates on a 11 degree to 5 degree rotation helping to ensure a long and trouble free operating life. Two different shaft lengths are available, 30mm or 85mm.

These safety switches are available in a robust ABS, or 316 Grade Stainless Steel housing.

- ✓ Glass Filled Polypropylene
- ✓ 11° to 5° rotation positions.
- ✓ 316 Stainless Steel versions available.
- ✓ 30mm or 85mm shaft lengths.
- ✓ Robust structure for harsh environments.

Mounting



A risk assessment for each application must be undertaken before installation.

The Turncam is to be mounted on the hinge of a door. The switch shaft should be aligned with the hinge on the door. The body of the Turncam should be fixed to the door frame using the screws provided and tightened.

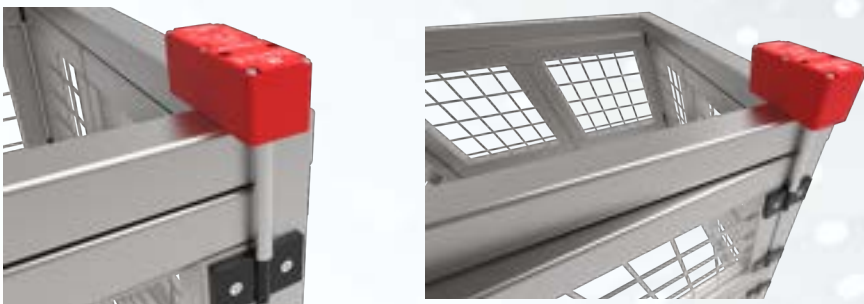
The shaft must be secured by using the 2 fixing screws, after checking the operational function of the turncam.

Operation

The Turncam operates by the 316 stainless steel shaft rotation clockwise or anti-clockwise to cause the contacts to switch simultaneously.

By opening the guard, positive actuation can be achieved at a maximum of 11 degrees and a minimum of 5 degrees.

Note: The safety contacts are described as normally closed (NC) with the guard closed, the actuator in place and the machine able to be started.



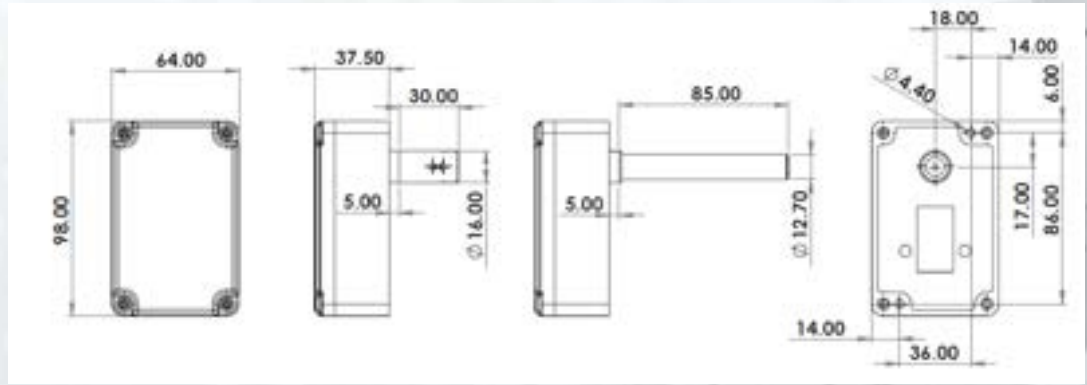
TurnCam TC1 Stainless Steel Hinge Safety Device



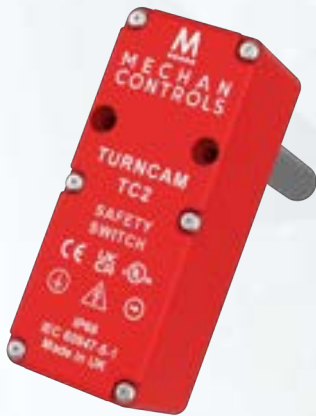
- 316 Stainless Steel Construction
- 11 or 5 degree cam rotation
- IP66 rated
- 30mm or 85mm Shafts
- 2NC / 2NO or 3NC / 1NO contact configurations
- Pre-wired connection
- 4 x Mounting holes underneath

Stock Code	Part Description	Open Contacts	Closed Contacts	Supply
316.050	TC1-SS-22-30	2	2	DC
316.051	TC1-SS-31-30	1	3	DC
316.052	TC1-SS-22-85	2	2	DC
316.053	TC1-SS-31-85	1	3	DC

Quality Marks:



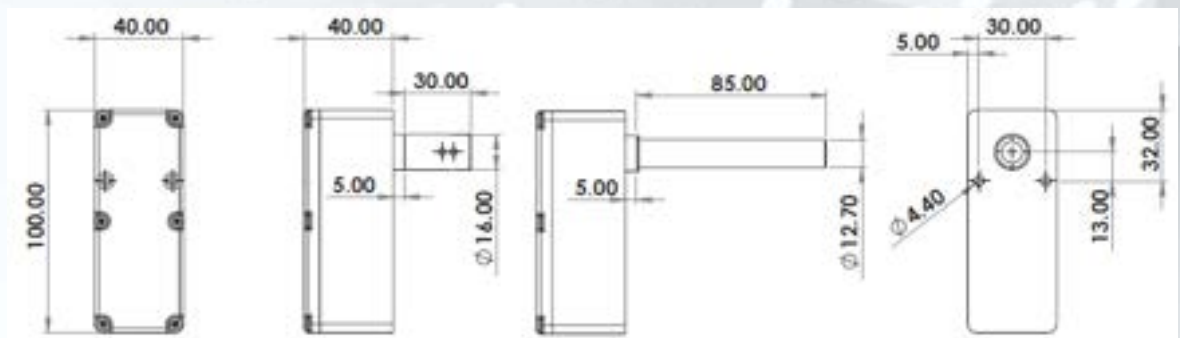
TurnCam TC2 ABS Hinge Safety Device



- ABS Construction
- 11 or 5 degree cam rotation
- IP66 rated
- 30mm or 85mm Shafts
- 2NC / 2NO or 3NC / 1NO contact configurations
- Pre-wired connection
- 2 x Mounting through holes

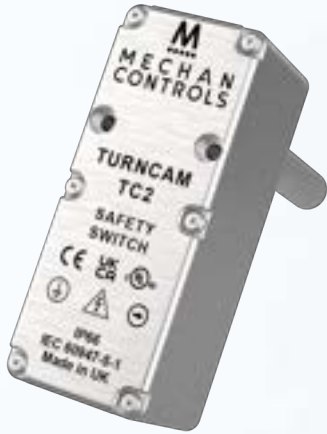
Stock Code	Part Description	Open Contacts	Closed Contacts	Supply
316.054	TC2-22-30	2	2	DC
316.055	TC2-31-30	1	3	DC
316.056	TC2-22-85	2	2	DC
316.057	TC2-31-85	1	3	DC

Quality Marks:



HINGE SWITCHES

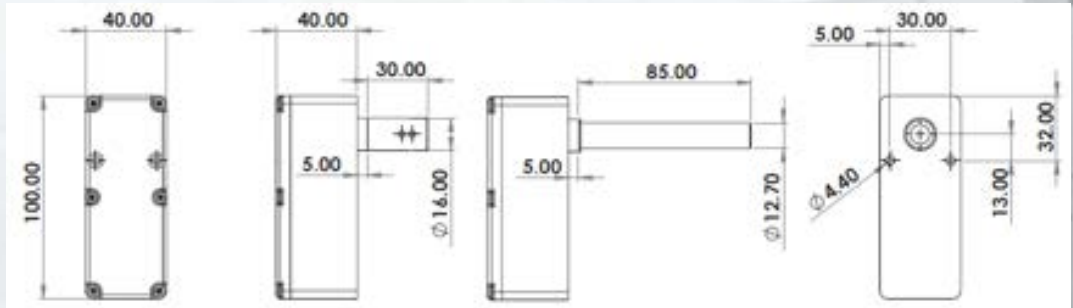
TurnCam TC2 Stainless Steel Hinge Safety Device



- 316 Stainless Steel Construction
- 11 or 5 degree cam rotation
- IP66 rated
- 30mm or 85mm Shafts
- 2NC / 2NO or 3NC / 1NO contact configurations
- Pre-wired connection
- 2 x Mounting through holes

Stock Code	Part Description	Open Contacts	Closed Contacts	Supply
316.058	TC2-SS-22-30	2	2	DC
316.059	TC2-SS-31-30	1	3	DC
316.060	TC2-SS-22-85	2	2	DC
316.061	TC2-SS-31-85	1	3	DC

Quality Marks:



Part Number Explanation

TC1 - SS - 2 2 - 85

Housing Shape

TC1
TC2

Housing Material

Blank	Plastic
SS	Stainless Steel

Safety Channels

2	2 N/C (when door is open)
3	3 N/C (when door is open)

Auxiliary Channels

1	1 N/O (when door is open)
2	2 N/O (when door is open)

Shaft Length

30	30mm
85	85mm

SafeLine 4 Features and Benefits

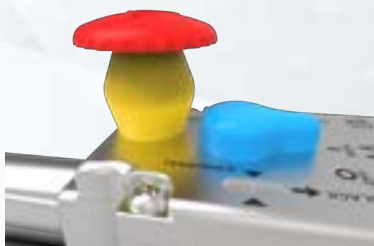
Introduction



The SafeLine4 grabwire is a ropeswitch that can be installed where no physical guarding is present on conveyors, providing constant emergency stop access. This SafeLine 4 is made from 316 stainless steel or diecast and is suitable for external use, applications where there are hygiene requirements and other situations where a level of corrosion proof is required.

Positive Mode Mechanism

The positive mode mechanism helps ensure that the contacts are immediately latched open on actuation and can only be reset by the intentional action of turning the blue reset switch. The design also protects against nuisance tripping and the effects of thermal expansion.



Lid mounted E-stop button

A mushroom head emergency stop button is included on the unit to provide total E-Stop access even at the extreme ends of the span.



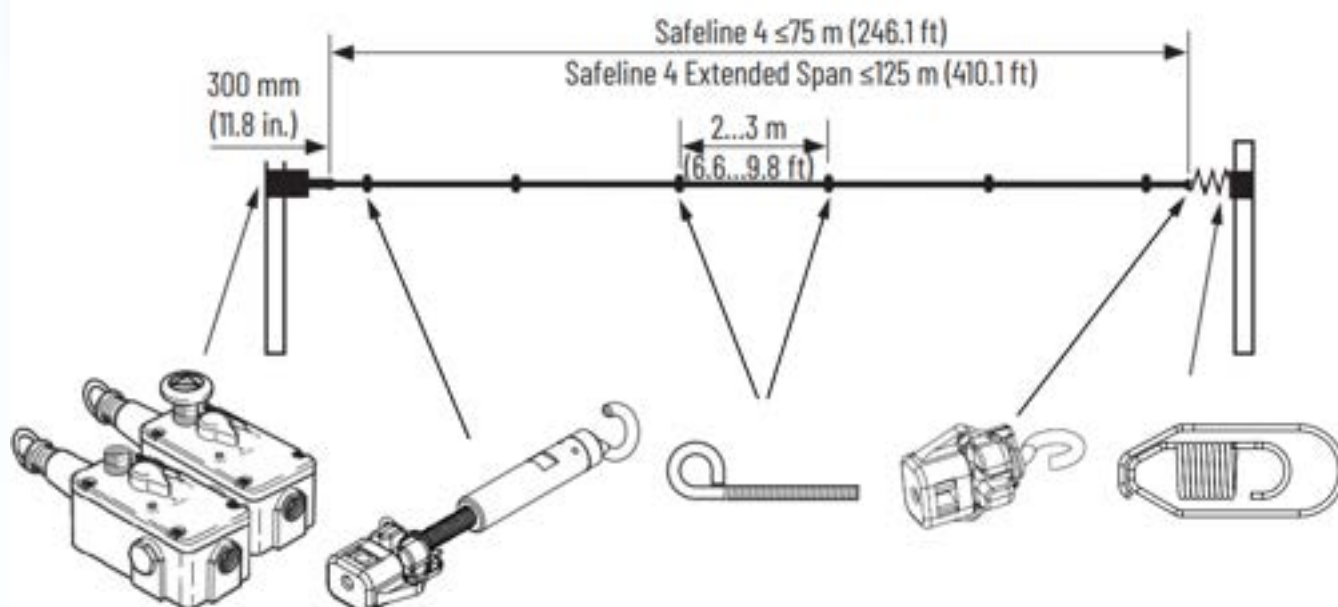
Cable status indicator on lid

The cable status indicators on both sides of the lid make the system easy to setup and maintain for spans up to 75m (246 ft).

Mounting

Use M5 bolts to mount the SL4 to the frame of the machine.

Figure 1 - Typical Mounting – Safeline 4 Cable Pull Switch



Product Selection

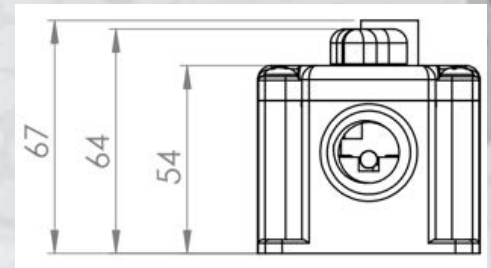
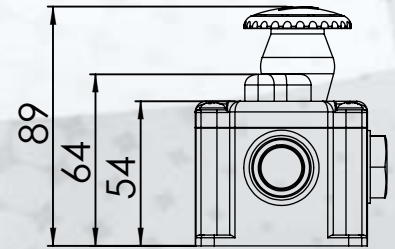
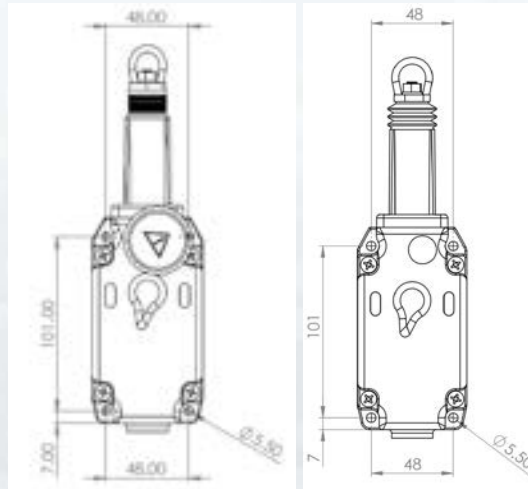
SafeLine 4 SL4 Stainless Steel Grabwire



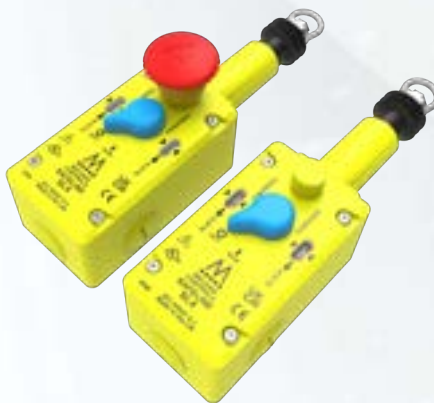
- 316 Stainless Steel Construction
- Optional E|Stop
- IP67 & IP69K rated
- Dual Tension Screens
- 2NC / 2NO or 3NC / 1NO contact configurations
- Pre-wired connection
- 4 x Mounting holes underneath

Stock Code	Part Description	Open Contacts	Closed Contacts	Supply
314.000	SL4-SS-E-22	2	2	DC
314.001	SL4-SS-E-31	1	3	DC
314.002	SL4-SS-22	2	2	DC
314.003	SL4-SS-31	1	3	DC

Quality Marks:



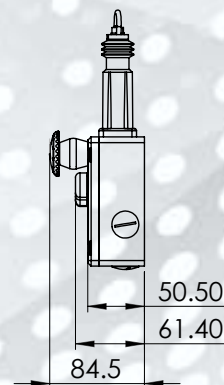
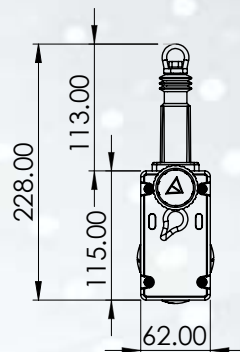
SafeLine 4 SL4 Diecast Grabwire



- Diecast Construction
- Optional E|Stop
- IP65 rated
- Dual Tension Screens
- 2NC / 2NO or 3NC / 1NO contact configurations
- Pre-wired connection
- 4 x Mounting holes underneath

Part Description	Open Contacts	Closed Contacts	Supply
SL4-E-22	2	2	DC
SL4-E-31	1	3	DC
SL4-22	2	2	DC
SL4-31	1	3	DC

Quality Marks:



ROPE PULL SWITCHES

SafeLine 4 SL4 Installation Kit



- Tensioning Kit
- Cable Clamps
- Eyelets
- Anchor Plate
- Anchor Spring
- Plastic coated steel cable
- Open hook

Stock Code	Part Description
314.010	SL4 Installation Kit 5M
314.011	SL4 Installation Kit 10M
314.012	SL4 Installation Kit 15M
314.013	SL4 Installation Kit 20M
314.014	SL4 Installation Kit 30M
314.015	SL4 Installation Kit 50M
314.016	SL4 Installation Kit 75M

Quality Marks:



SafeLine 4 Tensioning kit parts are available separately

Part Number Explanation

SL4 - SS - E - 2 2 - 20M

Housing Shape
SafeLine4

Housing Material	
Blank	Diecast
SS	316 Stainless Steel

Emergency Stop Button	
E	With E Stop
Blank	Without E Stop

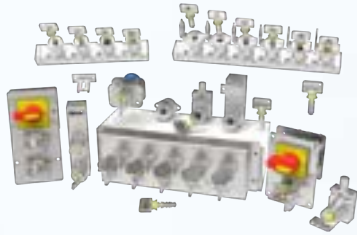
Safety Channels	
2	2 N/C
3	3 N/C

Auxiliary Channels	
1	1 N/O
2	2 N/O

Connection Type	
05M	05M SL4 installation Kit (16.4ft)
10M	10M SL4 installation Kit (32.8ft)
15M	15M SL4 installation Kit (49.2ft)
20M	20M SL4 installation Kit (65.6ft)
30M	30M SL4 installation Kit (98.4ft)
50M	50M SL4 installation Kit (164ft)
75M	75M SL4 installation Kit (246ft)

MK-Safe Key Exchange Features and Benefits

Introduction



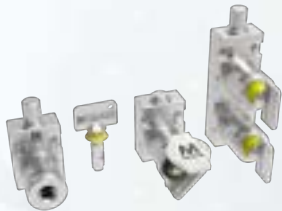
MK-Safe is the easy-to-configure trapped key interlocking system. It is suitable for various industrial safety applications. The casing of the MK-Safe product range is 316 stainless steel which is designed and built to withstand harsh industrial environments. The coding system has 15,000+ different key codes available. The master coding system can be provided as an option.

Barrel Lock & Key

BR basic lock barrel is a mechanical interlocking device with a rotary lock spindle. The BR lock can be used for a switchgear application, such as a circuit breaker, isolator or earth switch. The lock spindle is 9.5mm sq and 22mm long.



Bolt Lock



BL single or double barrel bolt lock is the mechanical interlocking device which extends a bolt to lock a device or object. For example, BL bolt lock can be used to lock an isolator switch, valves or circuit breakers. The bolt size is 15.88mm in diameter with 16mm of travel. The operating sequence is the bolt is extended to the longest length 22mm when the key is removed from the BL unit.

Door Lock

The DL access lock is designed to control the access to a protected area. The DL1 and DL2 both have a tongue actuator that is to be mounted to the access door. DL housing is 316 stainless steel, the lock head can be rotated.

DL1 is single barrel door lock and DL2 is double barrel lock version. DL2 has two options to suit different applications. DL2-AA the two access keys option. DL2-SA has one off access key and one off personal safety key to avoid an unexpected start-up whilst inside.



Isolator



ISOL key controlled isolator is designed to work for power isolation. Mechan offers different isolators from 20A AC up to 100A AC. The contact arrangement is 3 pole, 4 pole with or without the 1NO & 1NC auxiliary contacts to suit various applications. ISOL1 is the single lock barrel option. ISOL2-ISOL4 are the multiple lock barrel options.

MKX Modular Key Box

MKX modular key exchange box is a mechanical interlock device which is designed to achieve intermediate key transfer function. One or more keys are inserted in the MKX unit to release one or more keys with different coding.



Product Selection

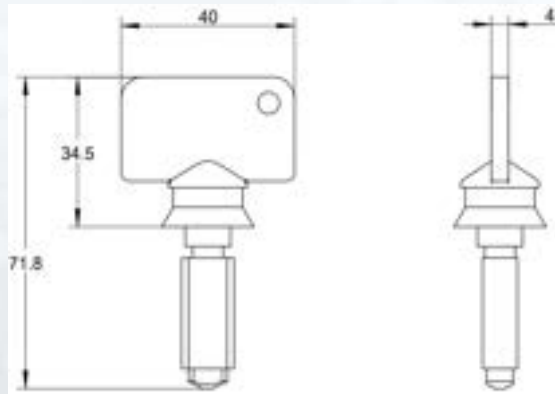
Key Stainless Steel Key Exchange



- 316 Stainless Steel Construction
- Standard Code or Master Code
- Dual key entry

Stock Code	Part Description
KEY-STC	Standard Key
KEY-MAC	Master Key

Quality Marks:



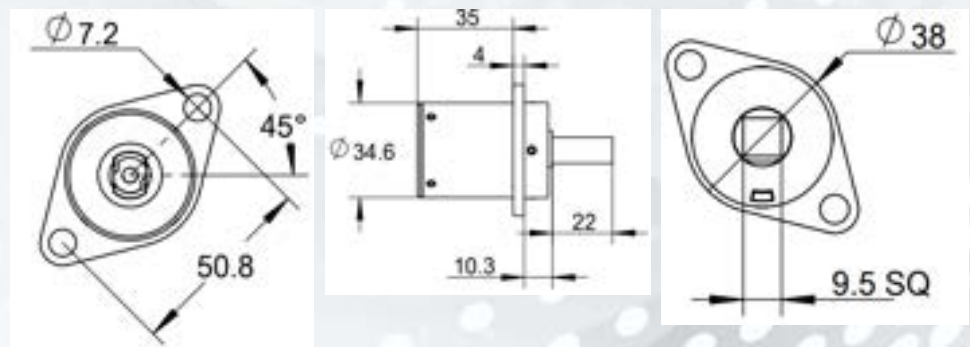
Basic Barrel BR Stainless Steel Key Exchange



- 316 Stainless Steel Construction
- Optional dust cover
- Standard Code or Master Code
- Dual key entry
- 2 x Mounting holes

Stock Code	Part Description	Supply
BR	BR basic lock, right hand clockwise 90°, 22mm long shaft, no dust cover	AC/DC

Quality Marks:



BOLT LOCK SWITCHES

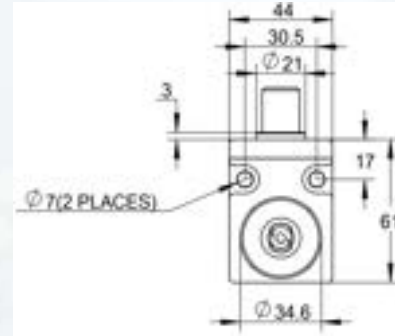
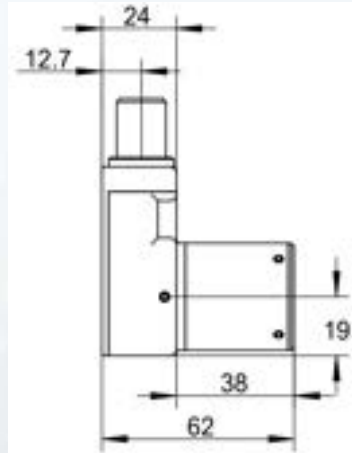
BL1 Stainless Steel Key Exchange



- 316 Stainless Steel Construction
- Optional dust cover
- Standard Code or Master Code
- Dual key entry
- 2 x Mounting holes
- 5000N Front & Sideload
- 22mm Bolt Length

Stock Code	Part Description	Supply
BL1	BL1 Single Barrel Bolt Lock	AC/DC

Quality Marks:



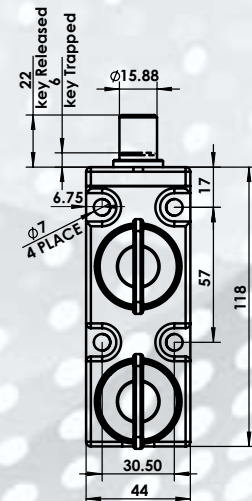
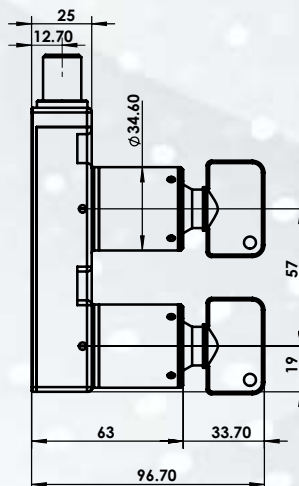
BL2 Stainless Steel Key Exchange



- 316 Stainless Steel Construction
- Optional dust cover
- Standard Code or Master Code
- Dual key entry
- 2 x Mounting holes
- 5000N Front & Sideload
- 22mm Bolt Length
- SA type or AA type available

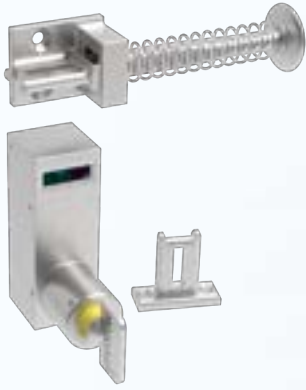
Stock Code	Part Description	Supply
BL2	BL2 Double Barrel Bolt Lock, SA Type	AC/DC
BL2	BL2 Double Barrel Bolt Lock, AA Type	AC/DC

Quality Marks:



DOOR LOCK SWITCHES

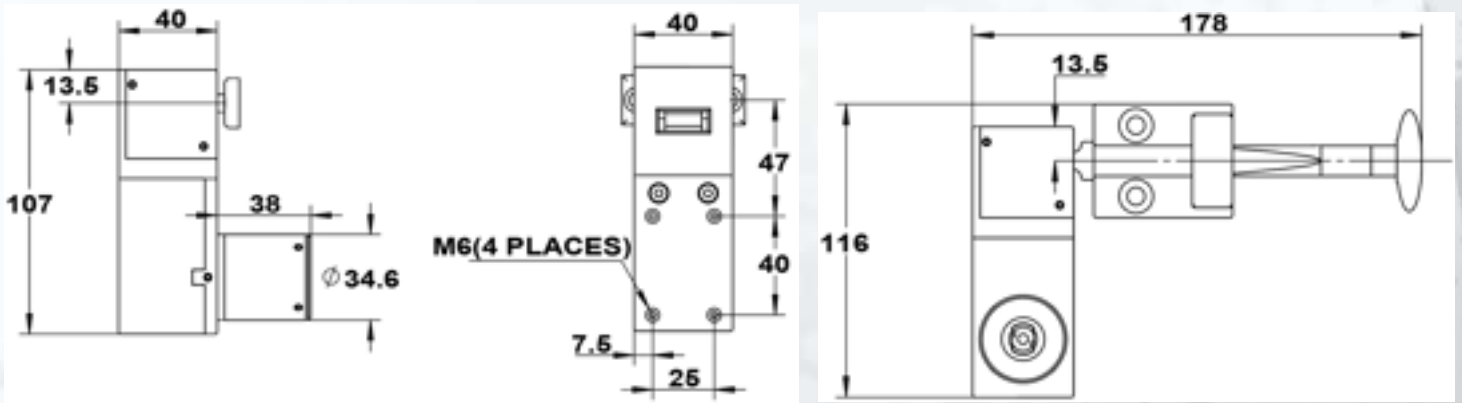
DL1 Stainless Steel Key Exchange



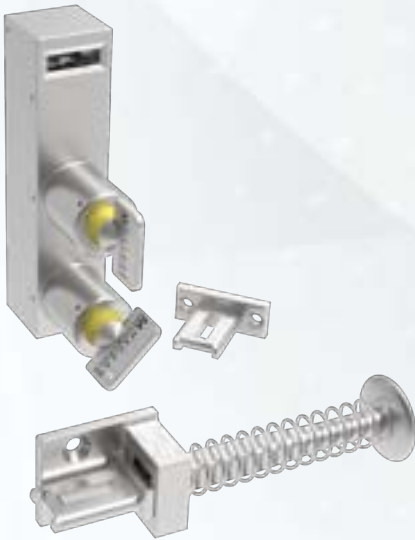
- 316 Stainless Steel Construction
- Optional dust cover
- Standard Code or Master Code
- Dual key entry
- 4 x Mounting holes
- 2500N Retention Force
- 4 Head positions at 90° Increments

Stock Code	Part Description	Supply
DL1	DL1 Single Barrel Door Lock	AC/DC

Quality Marks:



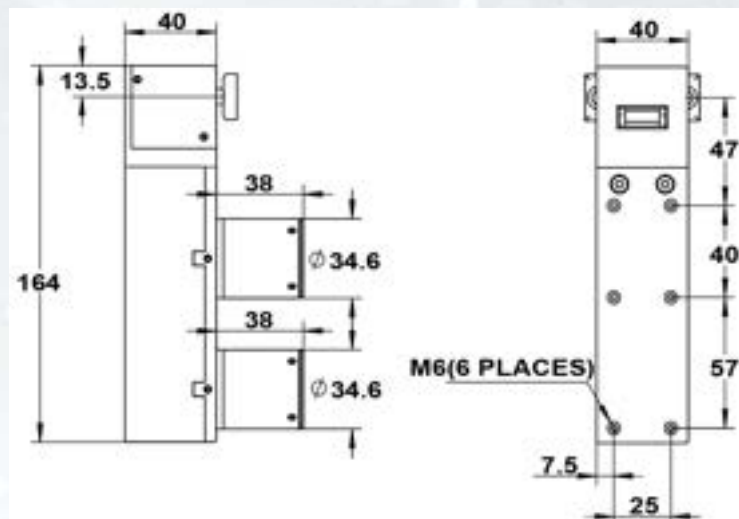
DL2 Stainless Steel Key Exchange



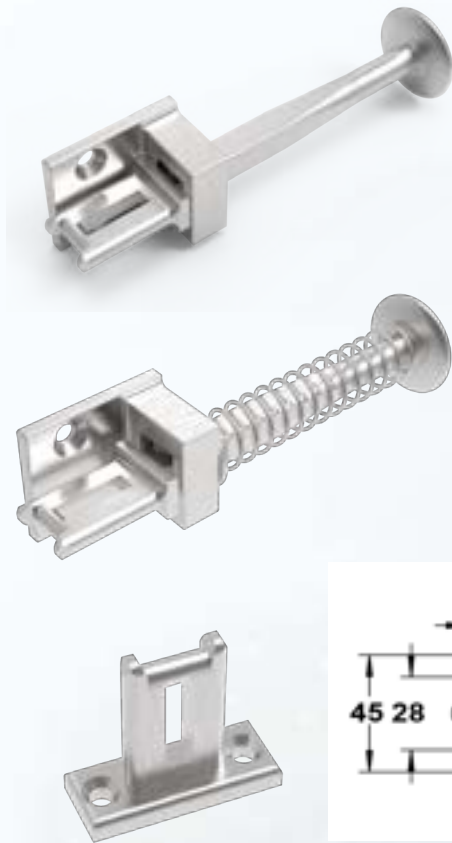
- 316 Stainless Steel Construction
- Optional dust cover
- Standard Code or Master Code
- Dual key entry
- 4 x Mounting holes
- 2500N Retention Force
- 4 Head positions at 90° Increments
- SA type or AA type available

Stock Code	Part Description	Supply
DL2	DL2 Double Barrel Door Lock, SA Type	AC/DC
DL2	DL2 Double Barrel Door Lock, AA Type	AC/DC

Quality Marks:

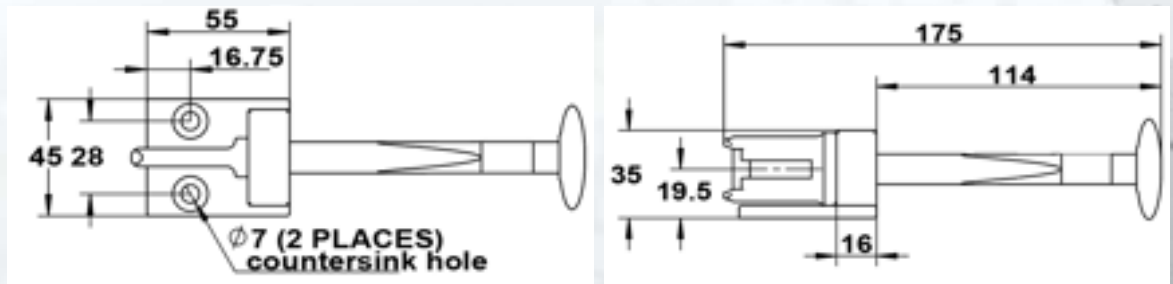


Door Lock Accessories Stainless Steel Key Exchange



- 316 Stainless Steel Construction
- Standard Actuator
- Handle Actuator
- Spring handle actuator
- 2 x Fixing holes
- Robust design

Stock Code	Part Description
FX	Fixed Actuator
H	Handle Actuator
SPH	Spring Handle Actuator



Quality Marks:



ISOLATOR SWITCHES

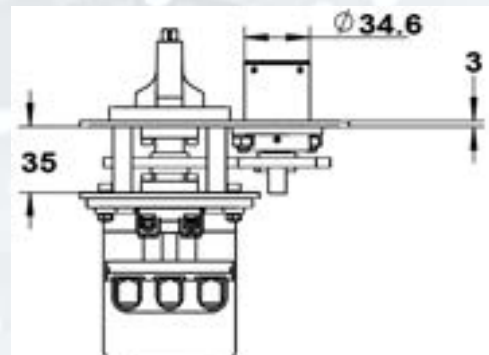
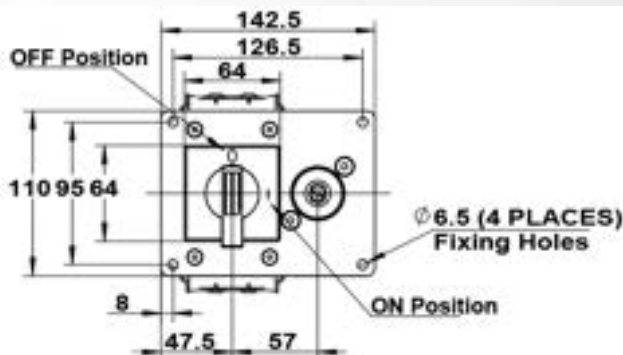
ISOL1 Stainless Steel Key Exchange



- 316 Stainless Steel Construction
- Optional dust cover
- Standard Code or Master Code
- Dual key entry
- 4 x Mounting holes
- Power isolation
- 20A - 100A AC
- 3&4 Pole, with or without auxiliary

Stock Code	Part Description	Supply
ISOL1	ISOL1, 20A AC	AC
ISOL1	ISOL1, 32A AC	AC
ISOL1	ISOL1, 40A AC	AC
ISOL1	ISOL1, 63A AC	AC
ISOL1	ISOL1, 80A AC	AC
ISOL1	ISOL1, 100A AC	AC

Quality Marks:



ISOLATOR SWITCHES

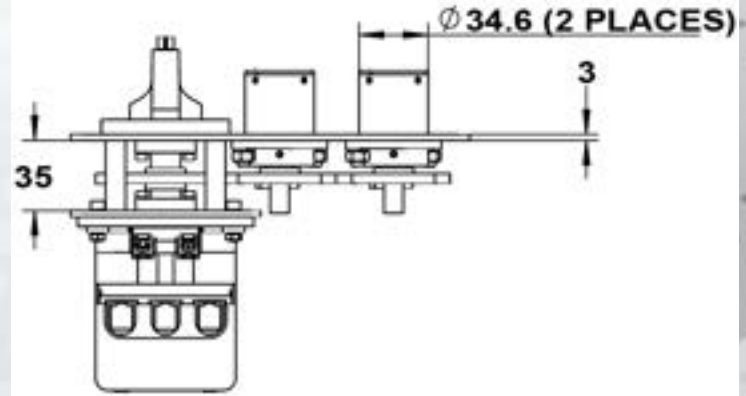
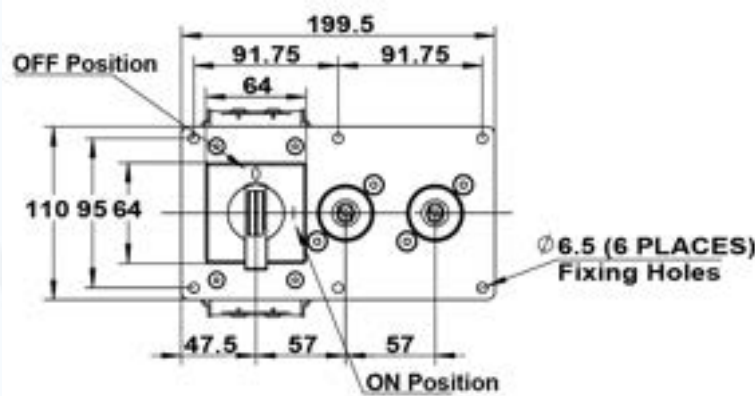
ISOL2 Stainless Steel Key Exchange



- 316 Stainless Steel Construction
- Optional dust cover
- Standard Code or Master Code
- Dual key entry
- 4 x Mounting holes
- Power isolation
- 20A - 100A AC
- 3&4 Pole, with or without auxiliary

Stock Code	Part Description	Supply
ISOL2	ISOL2, 20A AC	AC
ISOL2	ISOL2, 32A AC	AC
ISOL2	ISOL2, 40A AC	AC
ISOL2	ISOL2, 63A AC	AC
ISOL2	ISOL2, 80A AC	AC
ISOL2	ISOL2, 100A AC	AC

Quality Marks:



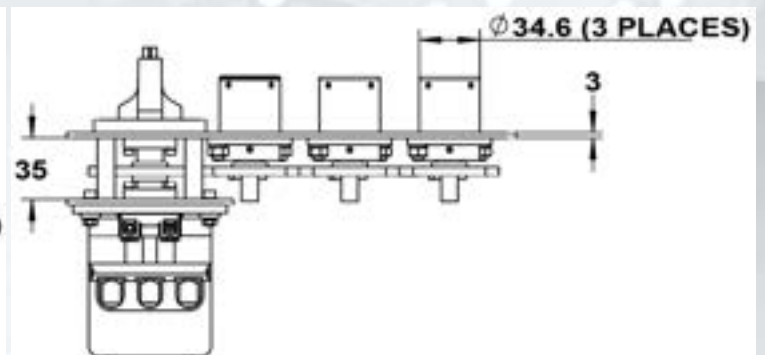
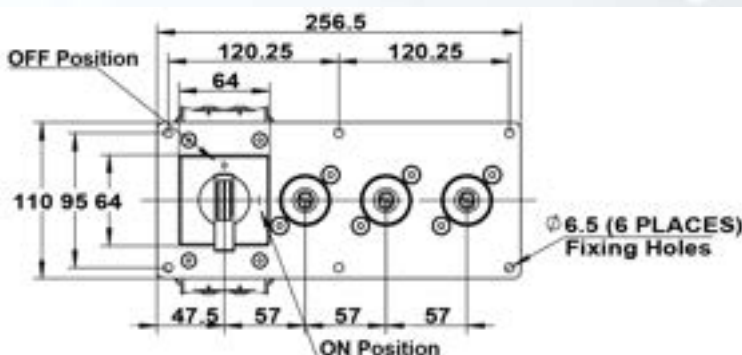
ISOL3 Stainless Steel Key Exchange



- 316 Stainless Steel Construction
- Optional dust cover
- Standard Code or Master Code
- Dual key entry
- 4 x Mounting holes
- Power isolation
- 20A - 100A AC
- 3&4 Pole, with or without auxiliary

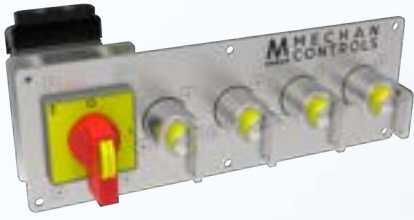
Stock Code	Part Description	Supply
ISOL3	ISOL3, 20A AC	AC
ISOL3	ISOL3, 32A AC	AC
ISOL3	ISOL3, 40A AC	AC
ISOL3	ISOL3, 63A AC	AC
ISOL3	ISOL3, 80A AC	AC
ISOL3	ISOL3, 100A AC	AC

Quality Marks:



ISOLATOR SWITCHES

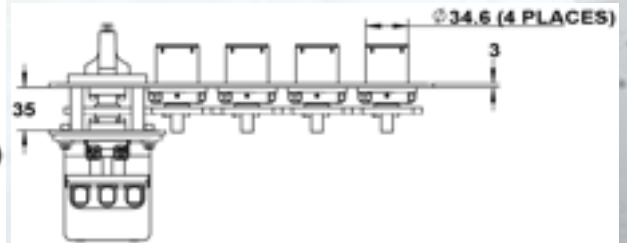
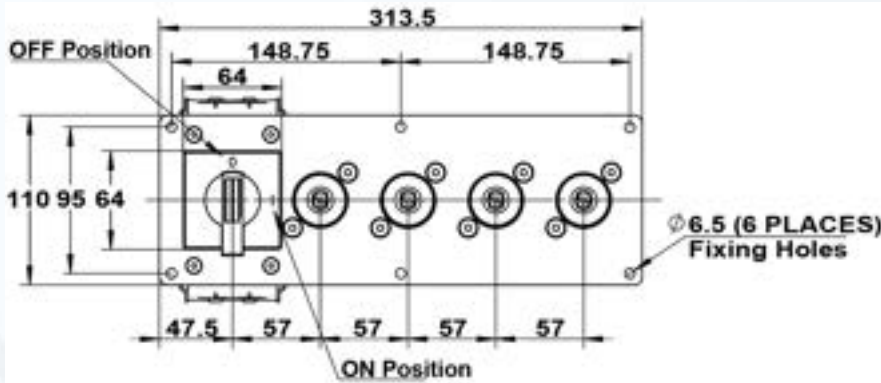
ISOL4 Stainless Steel Key Exchange



- 316 Stainless Steel Construction
- Optional dust cover
- Standard Code or Master Code
- Dual key entry
- 4 x Mounting holes
- Power isolation
- 20A - 100A AC
- 3&4 Pole, with or without auxiliary

Stock Code	Part Description	Supply
ISOL4	ISOL4, 20A AC	AC
ISOL4	ISOL4, 32A AC	AC
ISOL4	ISOL4, 40A AC	AC
ISOL4	ISOL4, 63A AC	AC
ISOL4	ISOL4, 80A AC	AC
ISOL4	ISOL4, 100A AC	AC

Quality Marks:



ISOLATOR KEY SWITCHES

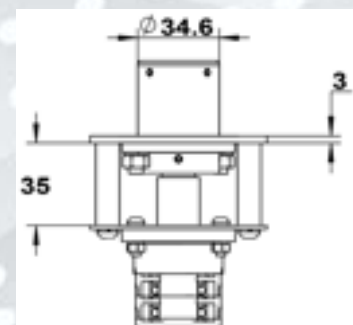
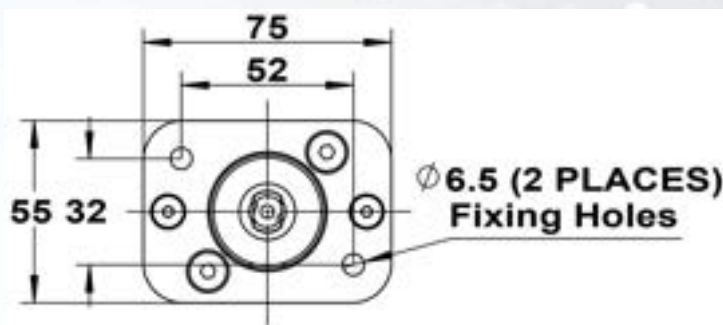
SW1 Stainless Steel Key Exchange



- 316 Stainless Steel Construction
- Optional dust cover
- Standard Code or Master Code
- Dual key entry
- 2 x Mounting holes
- Power isolation
- Up to 20A AC or 16A DC
- 4 Pole

Stock Code	Part Description	Supply
SW1	SW1, 15A AC	AC
SW1	SW1, 21A AC	AC
SW1	SW1, 22A AC	AC
SW1	SW1, 13A DC	DC
SW1	SW1, 21A DC	DC
SW1	SW1, 22A DC	DC
SW1	SW1, 23A DC	DC

Quality Marks:



ISOLATOR KEY SWITCHES

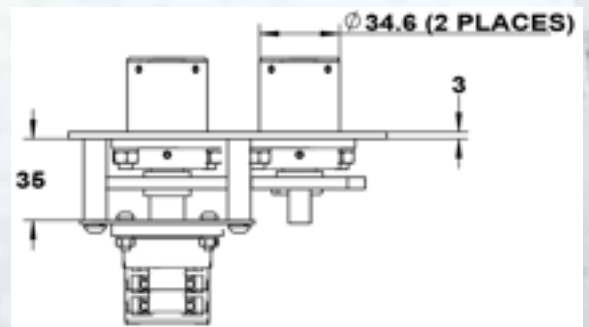
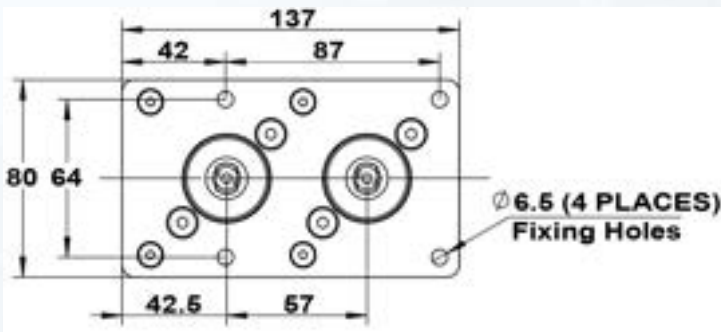
SW2 Stainless Steel Key Exchange



- 316 Stainless Steel Construction
- Optional dust cover
- Standard Code or Master Code
- Dual key entry
- 4 x Mounting holes
- Power isolation
- Up to 20A AC or 16A DC
- 4 Pole

Stock Code	Part Description	Supply
SW2	SW2, 15A AC	AC
SW2	SW2, 21A AC	AC
SW2	SW2, 22A AC	AC
SW2	SW2, 13A DC	DC
SW2	SW2, 21A DC	DC
SW2	SW2, 22A DC	DC
SW2	SW2, 23A DC	DC

Quality Marks:



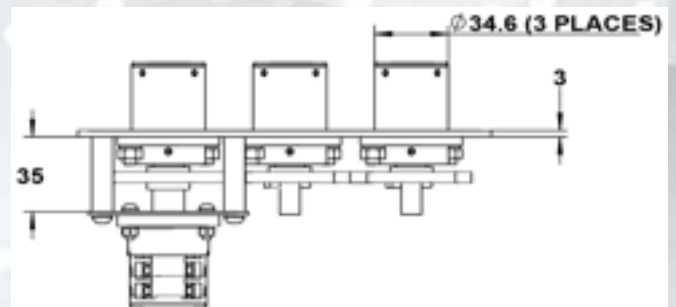
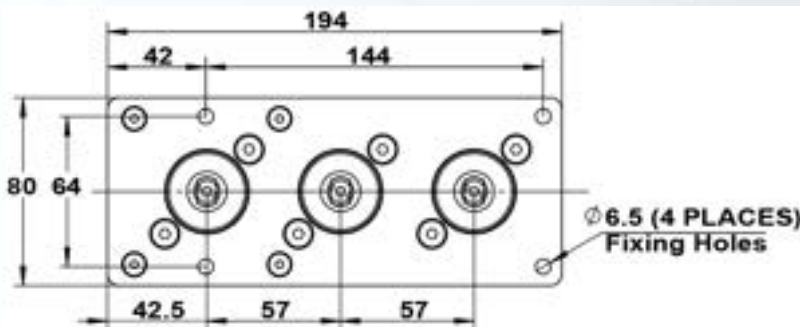
SW3 Stainless Steel Key Exchange



- 316 Stainless Steel Construction
- Optional dust cover
- Standard Code or Master Code
- Dual key entry
- 4 x Mounting holes
- Power isolation
- Up to 20A AC or 16A DC
- 4 Pole

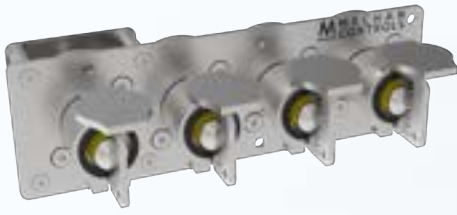
Stock Code	Part Description	Supply
SW3	SW3, 15A AC	AC
SW3	SW3, 21A AC	AC
SW3	SW3, 22A AC	AC
SW3	SW3, 13A DC	DC
SW3	SW3, 21A DC	DC
SW3	SW3, 22A DC	DC
SW3	SW3, 23A DC	DC

Quality Marks:



ISOLATOR KEY SWITCHES

SW4 Stainless Steel Key Exchange

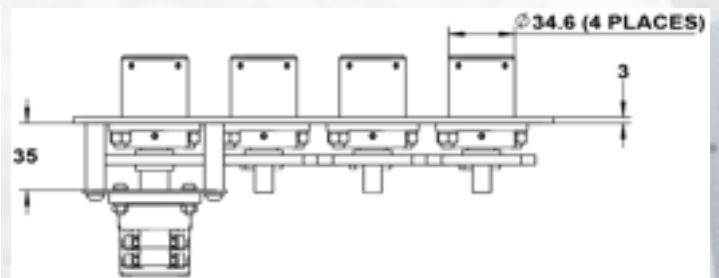
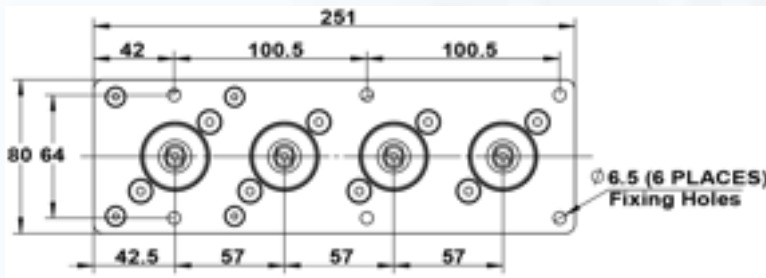


- 316 Stainless Steel Construction
- Optional dust cover
- Standard Code or Master Code
- Dual key entry
- 6 x Mounting holes
- Power isolation
- Up to 20A AC or 16A DC
- 4 Pole

Quality Marks:



Stock Code	Part Description	Supply
SW4	SW4, 15A AC	AC
SW4	SW4, 21A AC	AC
SW4	SW4, 22A AC	AC
SW4	SW4, 13A DC	DC
SW4	SW4, 21A DC	DC
SW4	SW4, 22A DC	DC
SW4	SW4, 23A DC	DC



SW5 Stainless Steel Key Exchange

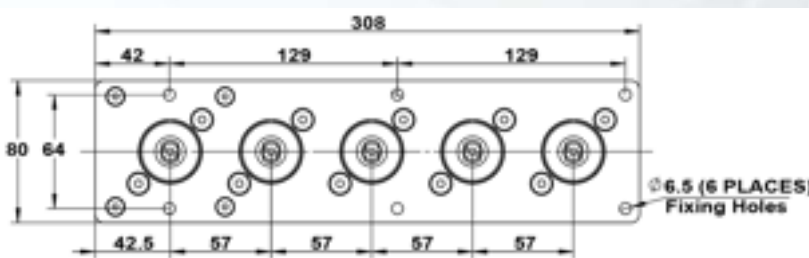


- 316 Stainless Steel Construction
- Optional dust cover
- Standard Code or Master Code
- Dual key entry
- 6 x Mounting holes
- Power isolation
- Up to 20A AC or 16A DC
- 4 Pole

Quality Marks:



Stock Code	Part Description	Supply
SW5	SW5, 15A AC	AC
SW5	SW5, 21A AC	AC
SW5	SW5, 22A AC	AC
SW5	SW5, 13A DC	DC
SW5	SW5, 21A DC	DC
SW5	SW5, 22A DC	DC
SW5	SW5, 23A DC	DC



KEY EXCHANGE BOX

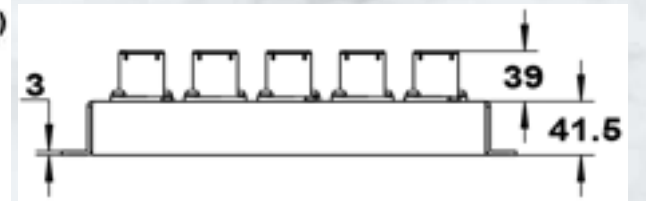
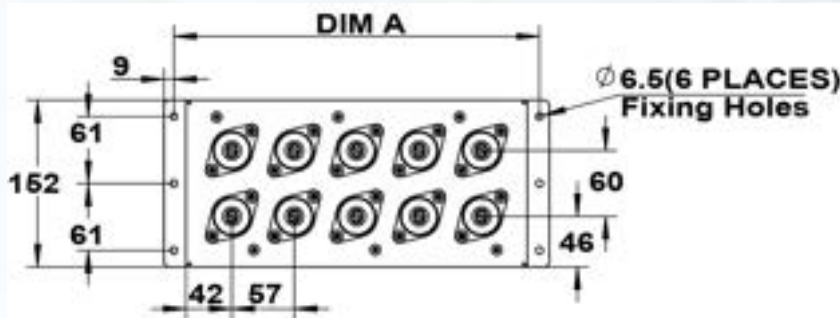
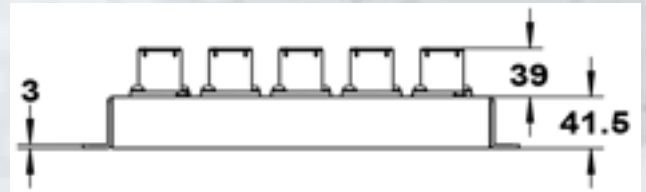
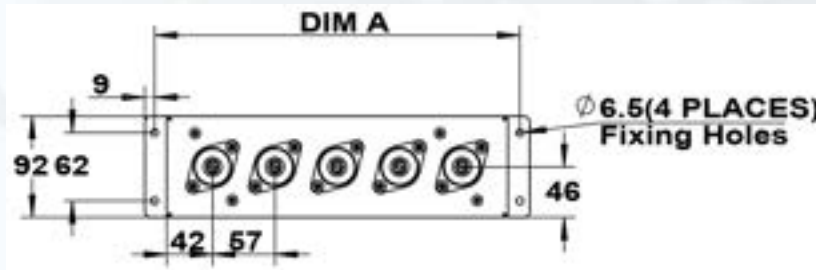
KEB Stainless Steel Key Exchange



- 316 Stainless Steel Construction
- Optional dust cover
- Standard Code or Master Code
- Dual key entry
- 4 x Mounting holes
- Used for Key transfer
- Special projects available
- 15,000+ key codes available

Stock Code	Part Description
KEB3	Key box with 3 locks, 1 row
KEB4	Key box with 4 locks, 1 row
KEB5	Key box with 5 locks, 1 row
KEB6	Key box with 6 locks, 1 row
KEB7	Key box with 7 locks, 1 row
KEB8	Key box with 8 locks, 1 row
KEB9	Key box with 9 locks, 2 row
KEB10	Key box with 10 locks, 2 row
KEB11	Key box with 11 locks, 2 row
KEB12	Key box with 12 locks, 2 row
KEB13	Key box with 13 locks, 2 row
KEB14	Key box with 14 locks, 2 row
KEB15	Key box with 15 locks, 2 row
KEB16	Key box with 16 locks, 2 row

Quality Marks:



Number of Locks (KEBn)	Number of Row	DIM A (mm)
3	Horizontal Single Row	220
4		277
5		334
6		391
7		448
8		505
9	Horizontal Double Row	334
10		334
11		391
12		391
13		448
14		448
15		505
16		505

MODULAR KEY EXCHANGE

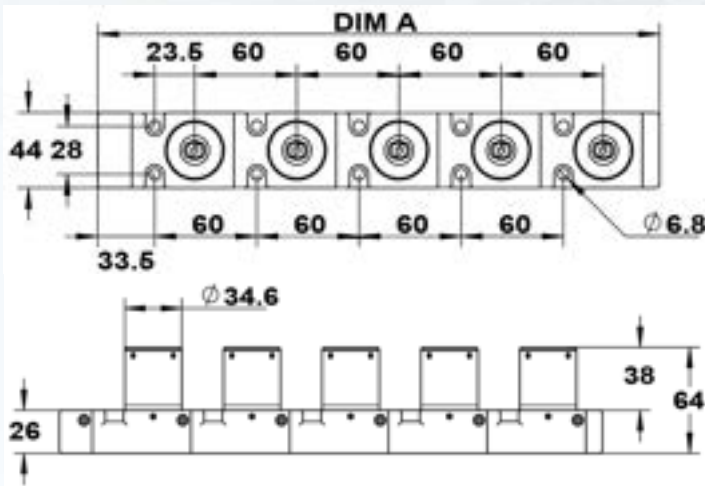
MKX Stainless Steel Key Exchange



- 316 Stainless Steel Construction
- Optional dust cover
- Standard Code or Master Code
- Dual key entry
- Mounting holes depend on MKX version
- Used for Key transfer
- 15,000+ key codes available

Stock Code	Part Description
MKX3	Modular Key box with 3 locks, 1 row
MKX4	Modular Key box with 4 locks, 1 row
MKX5	Modular Key box with 5 locks, 1 row
MKX6	Modular Key box with 6 locks, 1 row
MKX7	Modular Key box with 7 locks, 1 row
MKX8	Modular Key box with 8 locks, 1 row

Quality Marks:



MKXn n=3-8	DIM A (mm)
MKX3	210
MKX4	270
MKX5	330
MKX6	390
MKX7	450
MKX8	510

EMERGENCY STOP UNITS

Emergency Stop ES1 & ES2 Features and Benefits

Introduction



The Emergency Stop unit is designed to provide emergency stop functions. The units can come with or without a padlockable shroud and are available in both plastic and stainless steel versions. The units can be operated by pressing the emergency stop button (Red), it can then be reset by twisting the emergency stop button.

The units use force guided contacts, this allows it to be safely guarded and adhere to the machinery directive.

The ES units are available in ABS, or 316 Stainless Steel housing. They are easy to install and comply with the guidelines given in EN60947-5-1.

Operation

The ES1 operates by the pressing of the red button into the switch to cause the contacts to switch simultaneously.



By twisting or pulling the red button, the user can achieve positive actuation.

An ES1 with a shroud is available in ABS or stainless steel, this is to stop the nuisance activation of the E-stop and to padlock the E-stop so that it cannot be restarted.



Product Selection

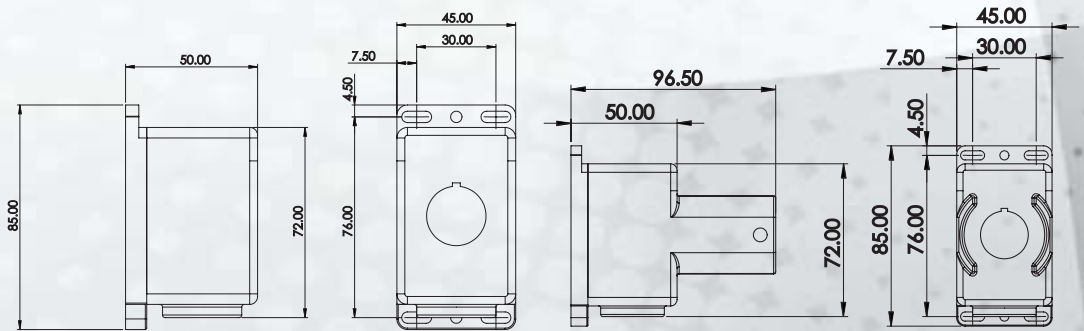
Emergency Stop ES1 ABS



- ABS Construction
- Easy to mount
- Optional Shroud
- Optional Gland or 6pin QD connector
- 2NC / 1NO contacts
- Volt free contacts

Stock Code	Part Description	Connection
ES1-21	Emergency stop, 21 contacts, no cable	-
ES1-21-03M	Emergency stop, 21 contacts, 3meter cable	03 meter pre wired
ES1-21-6QD	Emergency stop, 21 contacts, M12 6Pin QD connector	8 Pin M12 QD connector

Quality Marks:



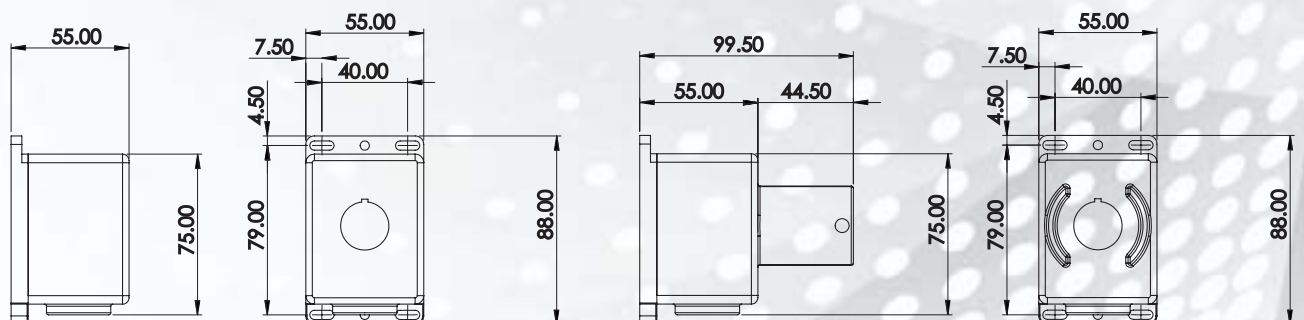
Emergency Stop ES1 Stainless Steel



- 316 Stainless Steel Construction
- Easy to mount
- Optional Shroud
- Optional Gland or 8pin QD connector
- 2NC / 1NO contacts
- Volt free contacts

Stock Code	Part Description	Connection
ES1-SS-21	Emergency stop, 21 contacts, no cable	-
ES1-SS-21-03M	Emergency stop, 21 contacts, 3meter cable	03 meter pre wired
ES1-SS-21-8QD	Emergency stop, 21 contacts, M12 8Pin QD connector	8 Pin M12 QD connector

Quality Marks:



EMERGENCY STOP UNITS

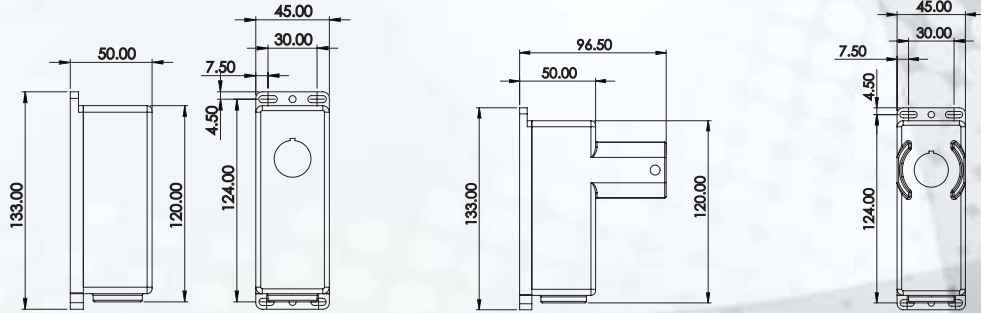
Emergency Stop ES2 ABS



- ABS Construction
- Easy to mount
- Optional Shroud
- Optional Gland or 6pin QD connector
- 2NC / 1NO contacts
- Volt free contacts

Stock Code	Part Description	Connection
ES2-21	Emergency stop, 21 contacts, no cable	-
ES2-21-03M	Emergency stop, 21 contacts, 3meter cable	03 meter pre wired
ES2-21-6QD	Emergency stop, 21 contacts, M12 6Pin QD connector	8 Pin M12 QD connector

Quality Marks:



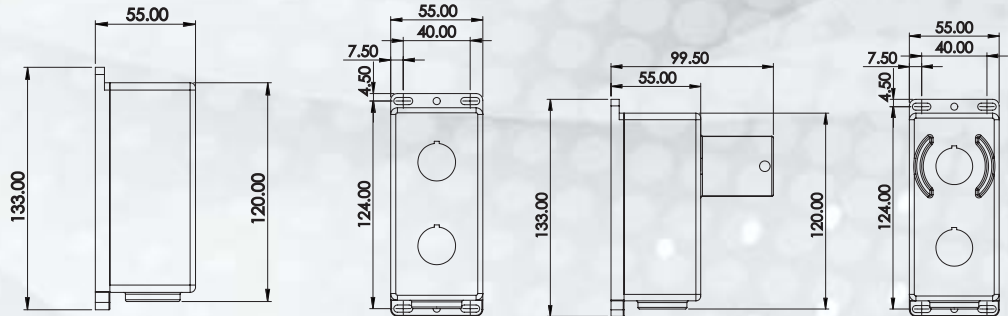
Emergency Stop ES2 Stainless Steel



- 316 Stainless Steel Construction
- Easy to mount
- Optional Shroud
- Optional Gland or 8pin QD connector
- 2NC / 1NO contacts
- Volt free contacts

Stock Code	Part Description	Connection
ES2-SS-21	Emergency stop, 21 contacts, no cable	-
ES2-SS-21-03M	Emergency stop, 21 contacts, 3meter cable	03 meter pre wired
ES2-SS-21-8QD	Emergency stop, 21 contacts, M12 8Pin QD connector	8 Pin M12 QD connector

Quality Marks:



Part Number Explanation

ES1 - SS - 21 - SH - 6QD

Product Type

ES1	Emergency Stop Button
ES2	Emergency Stop Button

Housing Material

Blank	Yellow ABS
SS	316 Stainless Steel

Contact Configuration

2	2NC
---	-----

Contact Configuration

1	1NO
---	-----

Connection Type

Blank	Customer Wired
6QD	6 Pin M12 QD Connector
8QD	8 Pin M12 QD Connector

Button Protection

Blank	Without Shroud
SH	With Shroud

CONTROL STATION

Imperium Features and Benefits

Introduction



Mechan Controls Imperium control station has up to 4 interchangeable buttons. These buttons consist of an Emergency stop button, a Stop button, a Start button and a Reset button. The situation and activity of these buttons depend on the functions of the overall plant or machine. The Imperium complies with IEC 60204 safety standards.

Button 1



Emergency stop button

Button 2

Stop button

Button 3

Start button

Button 4

Reset button

Fixing

125mm fixing with 2 x M5 Security Screws

Connectivity

3, 6 or 10 metre pre-wired cable

Material

Yellow & Black ABS

Lighting

Optional LED lighting under button

Fixing

Security screws used to fix lid and base



Imperium Control Station CT3



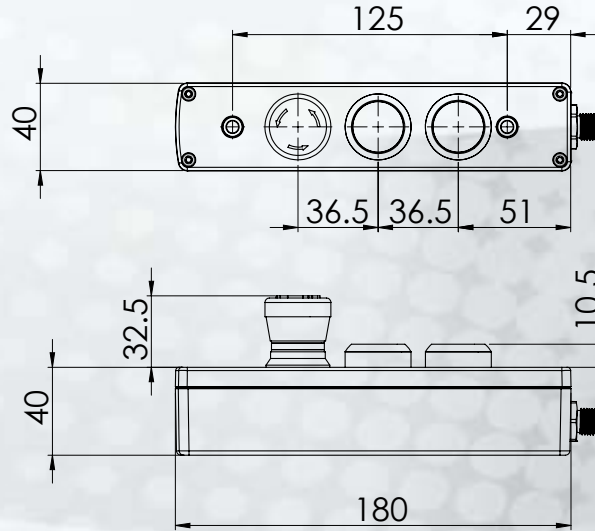
- ABS Construction
- Easy to mount
- 3 button control station
- Optional pre-wired or 6pin QD connector
- Optional LED lighting under buttons
- Mix and match buttons

Stock Code	Part Description	Supply
CT3	3 way customisable control station, Pre-wired or QD connection	DC

Quality Marks:



Available in different configurations. Please contact for more information.



Imperium Control Station CT4



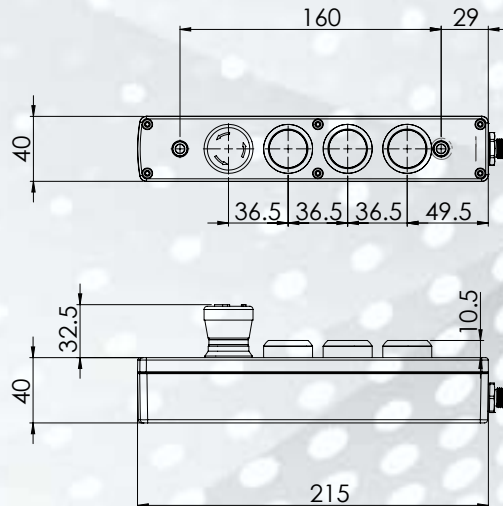
- ABS Construction
- Easy to mount
- 4 button control station
- Optional pre-wired or 6pin QD connector
- Optional LED lighting under buttons
- Mix and match buttons

Stock Code	Part Description	Supply
CT4	4 way customisable control station, Pre-wired or QD connection	DC

Quality Marks:



Available in different configurations. Please contact for more information.



ACCESS TAGGING STATION

Tag in Tag out Features and Benefits

Introduction



Mechan Controls CT1 tag in tag out system can have up to 10 operators using the system. The tag in tag out system allows multiple users to tag into a machine and perform their necessary operations without fear of the machine being started whilst inside. Once all users have tagged out of the system the machine can be safely restarted.

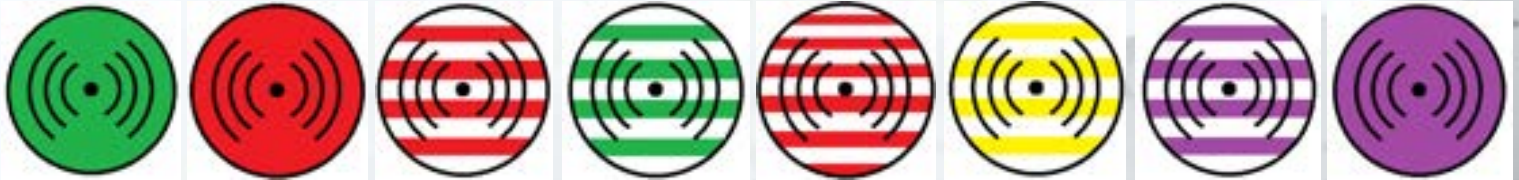
The CT1 complies with IEC 60204 safety standards.

The CT1 complies with ISO 14118 prevention of unexpected start up.

Note: Tags must be tagged then released from the CT1 unit in order to be recognised. (this prevents walkaway)

Note: Master Tag will always be **RED**

Tag in, Tag out Button LED Indication



Green: No user(s) are in the system (output on)

Red: User(s) are in the system (output off)

Flashing Red: A user is entering the system

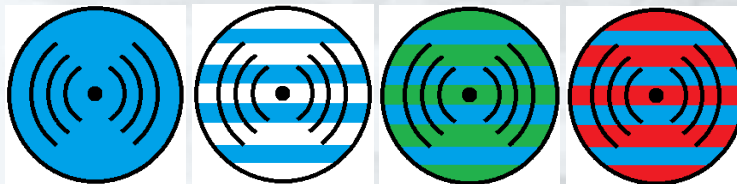
Flashing Green: A user is leaving the system

Flashing Red (fast): Master Tag - tag all users out warning

Flashing Yellow: No master fob key has been taught

Flashing Purple: Awaiting master fob key to be taught

Purple: A new master fob key has been taught



Blue: Tag is present

Flashing Blue: Master tag held for 10s, now in operator add & remove mode

Flashing Green & Blue: Adding new operator

Flashing Red & Blue: Removing an existing operator

Button 1



Emergency stop button

Material

316 Stainless Steel

Connectivity

3, 6 or 10 metre pre-wired cable or M12 QD connector

Material

Yellow & Black ABS

Lighting

Optional LED lighting under button

Fixing

Security screws used to fix base

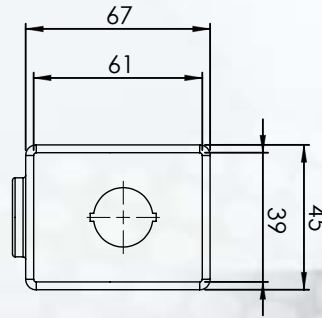


CT1 Tag in Tag out system ABS



- ABS Construction
- Easy to mount
- 4 Billion code RFID tag
- Optional pre-wired or 6pin QD connector
- LED lighting under the tag
- Up to 10 user tags per CT1
- Master tag included

Stock Code	Part Description	Supply
CT1-STAG	CT1 with tag in tag out function, Pre-wired or QD connection	DC



Quality Marks:

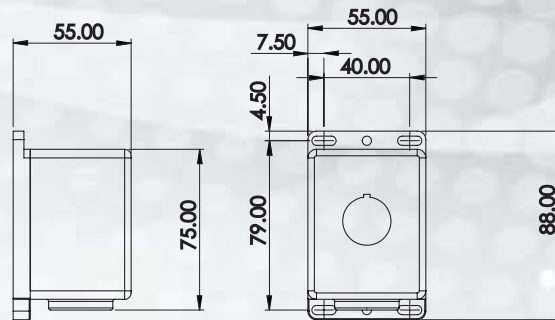


CT1 Tag in Tag out system Stainless Steel



- 316 Stainless Steel Construction
- Easy to mount
- 4 Billion code RFID tag
- Optional pre-wired or 6pin QD connector
- LED lighting under the tag
- up to 10 user tags per CT1
- Master tag included

Stock Code	Part Description	Supply
CT1-SS-STAG	CT1 in stainless steel with tag in tag out function, Pre-wired or QD connection	DC



Quality Marks:

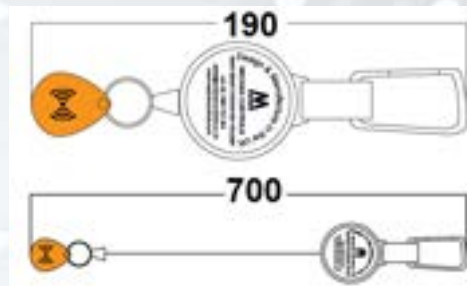


CT1 Retractable Key FOB



- ABS Construction
- Clips to pants waste
- 4 Billion code RFID tag
- Extends to 700mm
- Wide Variation in colours

Stock Code	Part Description
319.003	Retractable Key FOB, 4 Billion code Actuator

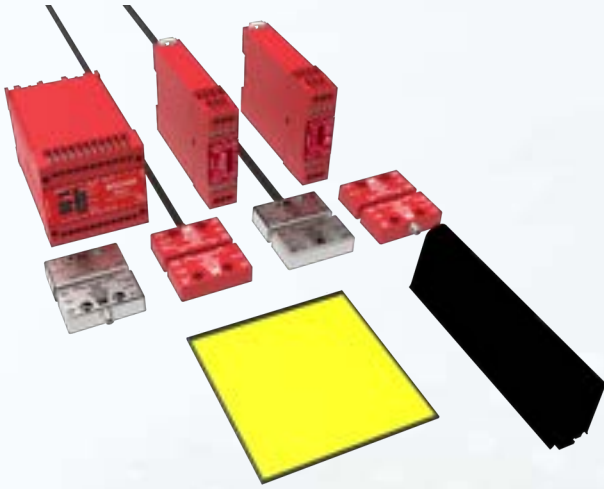


Quality Marks:



ISIS Features and Benefits

Introduction



The ISIS safety system is a tamper resistant non-contact safety switch system, suitable for use in most types of machine guarding applications where, guard locking is not required. The system comprises of a control unit and 1 or more safety switches and actuators.

The ISIS non-contact safety switches are easy to install, tolerant to misalignment and suitable for use in harsh or wet environments.

The 2-wire connection to each safety switch is monitored by the control unit, detecting both open and short circuit faults immediately and returning the control unit to the off state even if the gate is not operated.

ISIS-4 Control Unit

The ISIS-4 is a combined Safety Switch and E-Stop control unit. Along with the ability to monitor up to four ISIS safety switches it can also monitor the normally closed contacts of emergency stop buttons or mechanical safety switches in dual channel control circuits. The ISIS-4 has 2 normally open safety contact outputs and 1 normally closed auxiliary output, an external reset/proving circuit and LED indication for 'Power', 'Run' and the status of each activated gate switch.

ISIS-2 Control Unit

The ISIS-2 control unit is a 24V ac/dc system that can monitor up to 2 ISIS safety switches. The ISIS-2 has 2 normally open safety contact outputs and 1 normally closed auxiliary output, an external reset/proving circuit and LED indication for 'Power', 'Run' and the status of each activated gate switch.

ISIS-E Extender Unit

The ISIS-E Extender module is a 24V ac/dc unit that can be added to either the ISIS-4 or ISIS-2 to monitor an additional 5 ISIS safety switches. Connection to the main control unit is by a simple 2-wire bus connection. The status of each guard switch is shown by the YELLOW LEDs. Additional ISIS-E extender modules can be added to monitor larger systems.

ISIS Safety Switches

The ISIS safety switches are non-contact, tamper resistant safety switches. Resin encapsulated into an ABS or Stainless Steel case providing environmental protection to IP67, the switches can withstand most conditions including water, dust and high pressure hose cleaning.

Product Selection

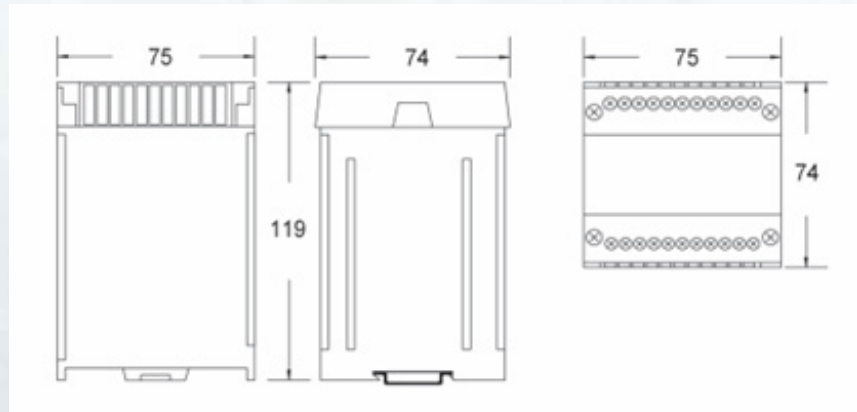
ISIS-4 Safety Control Unit



- ABS Construction
- DIN Rail mounted
- Can monitor up to 4 safety devices
- LED Indication
- Can be used to monitor safety mats or rubber profiles
- 24VDC, 110VAC, 240VAC

Stock Code	Part Description	Supply
370.000	ISIS-4 24V AC/DC SAFETY CONTROL UNIT	AC/DC
370.001	ISIS-4 110VAC SAFETY CONTROL UNIT	AC
370.002	ISIS-4 240VAC SAFETY CONTROL UNIT	AC

Quality Marks:



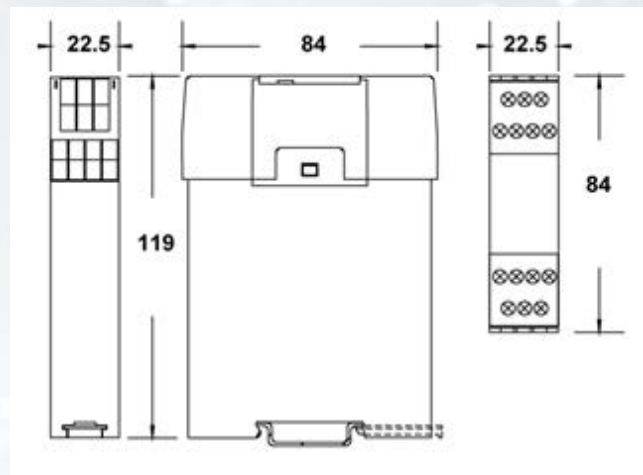
ISIS-2 Safety Control Unit



- ABS Construction
- DIN Rail mounted
- Can monitor 1 safety device
- LED Indication
- Can be used to monitor safety mats or rubber profiles
- 24VAC/DC

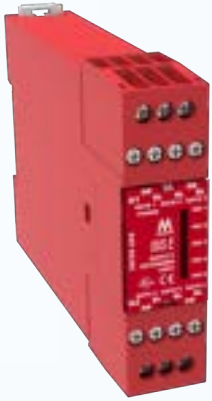
Stock Code	Part Description	Supply
371.000	ISIS-2 24V AC/DC SAFETY CONTROL UNIT	AC/DC

Quality Marks:



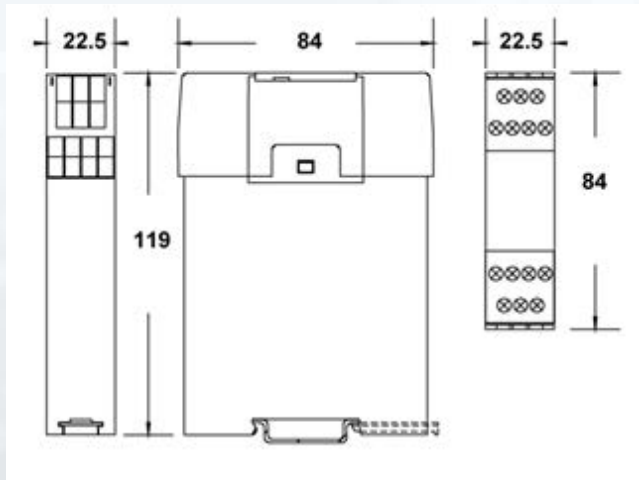
ISIS SAFETY RANGE

ISIS-E Extender Unit



- ABS Construction
- DIN Rail mounted
- Can monitor up to 5 safety device
- LED Indication
- Can be used to monitor safety mats or rubber profiles
- 24VAC/DC

Stock Code	Part Description	Supply
375.000	ISIS EXTENDER	AC/DC



Quality Marks:



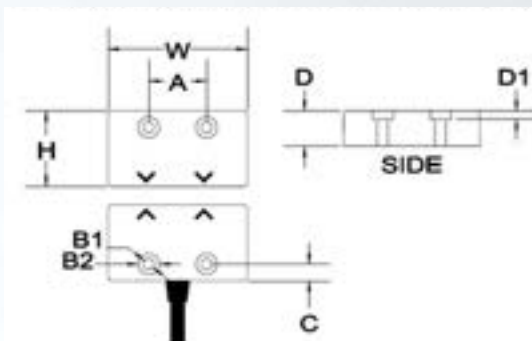
ISIS Safety Switches



- ABS & 316 Stainless Steel Construction
- 22mm Industry standard fixings
- 2 wire connection
- Tolerant to misalignment
- Volt free contacts

Stock Code	Part Description	Supply	Connection
372.000	ISIS-03M SAFETY SWITCH & ACTUATOR	DC	03 metre pre-wired
372.001	ISIS-05M SAFETY SWITCH	DC	05 metre pre-wired
372.002	ISIS-10M SAFETY SWITCH	DC	10 metre pre-wired
372.010	ISIS-SS-03M STAINLESS STEEL SAFETY SWITCH	DC	03 metre pre-wired
372.011	ISIS-SS-05M STAINLESS STEEL SAFETY SWITCH	DC	05 metre pre-wired
372.012	ISIS-SS-10M STAINLESS STEEL SAFETY SWITCH	DC	10 metre pre-wired

Quality Marks:

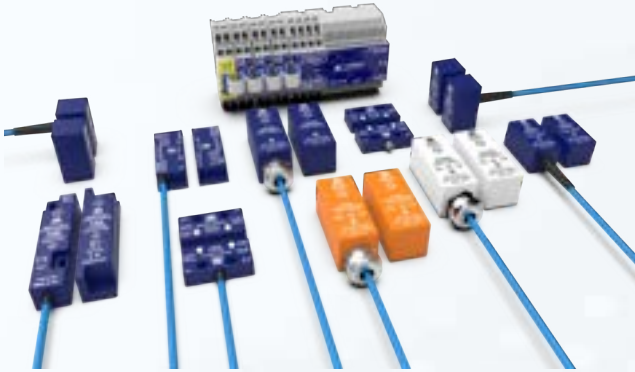


	Dimensions	
	ISIS-03M (mm / inches)	ISIS-SS-03M (mm / inches)
H	28 / 1.1	29 / 1.14
W	52 / 2.04	53 / 2.08
D	14 / 0.55	13.5 / 0.53
D1	3 / 0.11	3 / 0.11
A	22 / 0.86	22 / 0.86
B1	4.2 / 0.16 dia.	4.2 / 0.16 dia.
B2	8.1 / 0.32 dia.	8.1 / 0.32 dia.
C	6.4 / 0.25	6.4 / 0.25

Information only

F-Series Features and Benefits

Introduction



The F-Series safety system is a complete electronic safety switch and emergency stop button monitoring system for machine guarding applications. (with ESM module)

The control unit can monitor up to 30 inputs (F-Series safety switches and emergency stop buttons), maintaining CAT 4 SIL 3 and PL e.

FM1 Control Unit

FM1 Safety Control Module contains the power supply regulation, dual safety contact outputs, external reset/monitoring circuit, system & gate indication, and the input for one safety switch sensor and its volt free indicator output. The FM1 and a safety switch sensor are all that are required for a system that is monitoring one guard.

FX1/FX2 Extender Module

FX1/FX2 Safety Extender Modules connect to the FM1 to build systems monitoring more than 1 guard. By simply connecting the required number of FX1s (one guard switch input) or FX2s (two guard switch inputs) to the FM1 systems can be built to monitor up to 30 guards. The extender modules provide connections for the safety switches along with LED and volt free indicator outputs for each safety switch input.

F-Series Safety Switches

F-Series Safety Switches are solid state electronic devices with no contacts or moving parts. This provides a tamper proof safety system that can only be activated by the Mechan actuator. When energized the safety switches are continuously monitored whether the guard is opened or not. The Safety switches are resin encapsulated into an ABS case, to provide a fully sealed, IP67 & IP69K, sensor which can withstand the most arduous of conditions. Water, dust, oil, machine vibration and even steam cleaning have little or no effect on their performance, and with a 7-10 mm switching distance they are easy to install and provide a long and reliable working life span.

PLU2 Air operated locking unit

PLU2 Air operated Locking unit is a complete, fail-safe system designed to lock a Gate or Access Lid securely until it is safe to enter. This can be determined either by a Motion Stop detector or a simple timer. It incorporates both a Bolt Position Sensor Switch and a Mechan Guard switch to sense when the locking bracket is in position. The bolt must be in the out position and the locking bracket in place before the machine can be re-started.

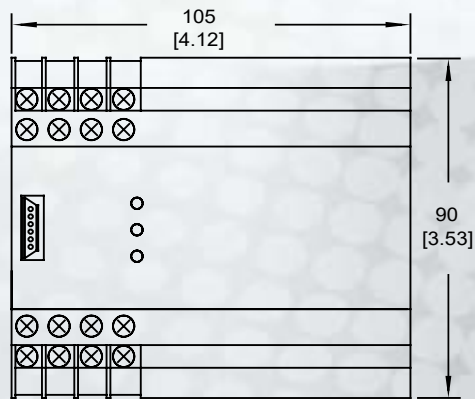
FM1 Safety Control Unit



- ABS Construction
- DIN Rail mounted
- Can monitor 1 F-Series safety devices
- LED Indication
- 24VDC, 24VAC, 110VAC, 240VAC
- Can be expanded with FX1,FX2 or ESM

Stock Code	Part Description	Supply
327.000	FM1 24VDC SAFETY CONTROL UNIT	DC
327.001	FM1 24VAC SAFETY CONTROL UNIT	AC
327.002	FM1 110VAC SAFETY CONTROL UNIT	AC
327.003	FM1 240VAC SAFETY CONTROL UNIT	AC

Quality Marks:



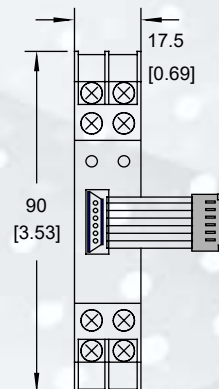
FX1 Safety Extender Modules



- ABS Construction
- DIN Rail mounted
- Can monitor 1 F-Series safety devices
- LED Indication
- Power supplied through ribbon cable
- Slim line housing

Stock Code	Part Description
328.000	FX1 EXTENDER MODULE

Quality Marks:



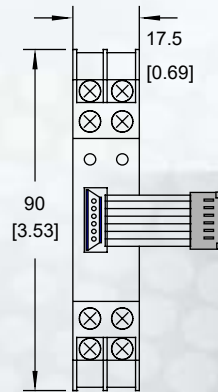
F-SERIES SAFETY RANGE

FX2 Safety Extender Modules



- ABS Construction
- DIN Rail mounted
- Must have 2 F-Series safety devices connected
- LED Indication
- Power supplied through ribbon cable
- Slim line housing

Stock Code	Part Description
328.001	FX2 EXTENDER MODULE



Quality Marks:

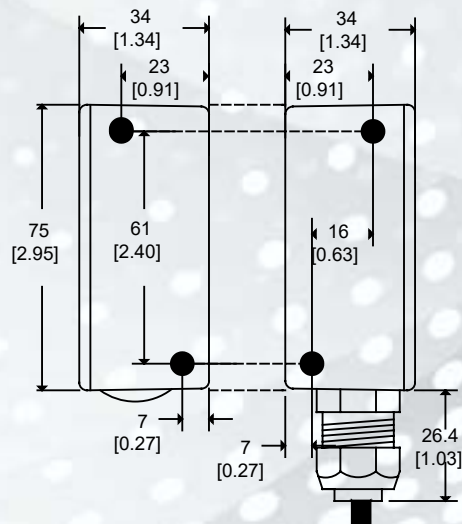


FMA Safety Switch



- ABS Construction
- Resin encapsulated
- Glad variations available
- IP67 & IP69K rated
- Robust and durable housing
- RFID technology

Stock Code	Part Description	Supply	Connection
308.000	FMA-5M F TYPE SAFETY SWITCH	DC	05 metre pre-wired
308.001	FMA-10M F-TYPE SAFETY SWITCH	DC	10 metre pre-wired
308.002	FMA-15M F-TYPE SAFETY SWITCH	DC	15 metre pre-wired



Quality Marks:



F-SERIES SAFETY RANGE

Dinky Safety Switch

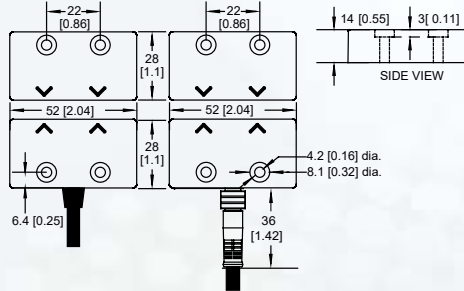


Quality Marks:



- ABS Construction
- Resin encapsulated
- 22mm Industry standard fixings
- IP67 & IP69K rated
- Robust and durable housing
- RFID technology
- Pre-wired or M8 QD connection

Stock Code	Part Description	Connection
374.000	DNK1-5M DINKY SAFETY SWITCH	05 metre pre-wired
374.001	DNK1-10M DINKY SAFETY SWITCH	10 metre pre-wired
374.002	DNK1-15M DINKY SAFETY SWITCH	15 metre pre-wired
374.050	DNK2-QD DINKY SAFETY SWITCH & ACTUATOR (M8-3PIN)	M8 3PIN QD connector



BMS & BMR Safety Switch

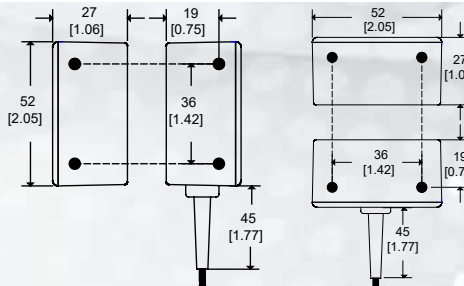


Quality Marks:



- ABS Construction
- Resin encapsulated
- BMS bottom entry, BMR lid entry
- IP67 & IP69K rated
- Robust and durable housing
- RFID technology
- Pre-wired connection

Stock Code	Part Description	Connection
309.000	BMS-5M B-TYPE SAFETY SWITCH	05 metre pre-wired
309.001	BMS-10M B-TYPE SAFETY SWITCH	10 metre pre-wired
309.002	BMS-15M B-TYPE SAFETY SWITCH	15 metre pre-wired
309.003	BMR-5M B-TYPE SAFETY SWITCH	05 metre pre-wired
309.004	BMR-10M B-TYPE SAFETY SWITCH	10 metre pre-wired
309.005	BMR-15M B-TYPE SAFETY SWITCH	15 metre pre-wired



PLU2 Air operated locking unit



Quality Marks:

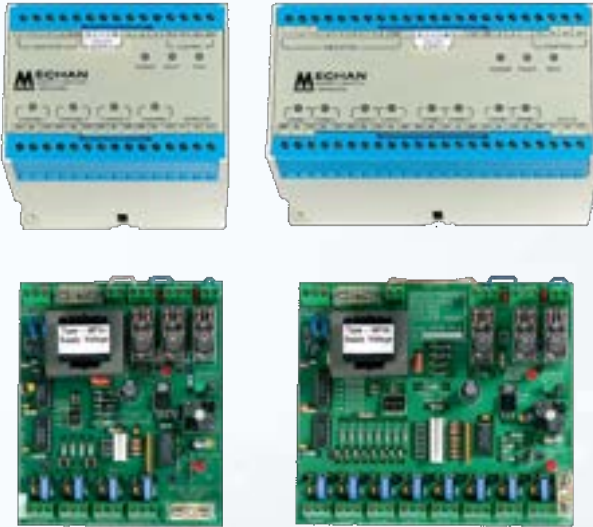


- 316 Stainless Steel housing
- 2 forms of safety
- Fail safe sealed cylinder
- Can be connected to FM1, FX1
- Robust and durable housing
- RFID technology & Pneumatic bolt
- Pre-wired connection
- 3000N Holding force

Stock Code	Part Description	Connection
318.011	DNK1-PLU-2-15M SAFETY SWITCH FOR PLU2 LOCKING UNIT	15 metre pre-wired



Introduction



Mechan safety control units have been monitoring 1000's of Mechan electronic safety switches of over 50 years. Proving to be safe, reliable and easy to install, the MPX range is a cost effective way to continuously monitor F-series safety switches.

Available in chassis mount or 35mm DIN rail mount each control unit has dual safety outputs, and indication from each switch. Works with all current switches in the F-Series safety switch range.

MPX4 DIN Control Unit

The MPX4/DIN has 2 NO safety output contacts and a reset/monitoring circuit for simple connection to existing control systems. A DIP switch mounted under the lid of the MPX4/DIN can set the unit to monitor between 1 and 4 fully electronic, Mechan safety switches. Each safety switch input has a LED status indicator on the control unit and a volt free contact for remote signalling to PLC or mimic panel. The MPX/DIN control units are designed to work with the F-Type, B-Type, S-Type, Dinky electronic safety switches and the unique code CMA electronic safety switches.

MPX8 DIN Control Unit

The MPX8/DIN has 2 NO safety output contacts and a reset/monitoring circuit for simple connection to existing control systems. A DIP switch mounted under the lid of the MPX8/DIN can set the unit to monitor between 5 and 8 fully electronic, Mechan safety switches. Each safety switch input has a LED status indicator on the control unit and a volt free contact for remote signalling to PLC or mimic panel. The MPX/DIN control units are designed to work with the F-Type, B-Type, S-Type, Dinky electronic safety switches and the unique code CMA electronic safety switches.

MPX4 Chassis Mounted Control Unit

The MPX4 has 2 NO safety output contacts and a reset/monitoring circuit for simple connection to existing control systems. A DIP switch mounted on the PCB of the MPX4 can set the unit to monitor between 2 and 4 fully electronic, Mechan safety switches. Mounted on a chassis plate the MPX4 is designed to fit easily into a control panel. Optional indicator boards give each safety switch input LED, TFR or volt free contact status indication. The MPX control units are designed to work with the F-Type, B-Type, S-Type, Dinky electronic safety switches and the unique code CMA electronic safety switches.

MPX8 Chassis Mounted Control Unit

The MPX8 has 2 NO safety output contacts and a reset/monitoring circuit for simple connection to existing control systems. A DIP switch mounted on the PCB of the MPX8 can set the unit to monitor between 4 and 8 fully electronic, Mechan safety switches. Mounted on a chassis plate the MPX8 is designed to fit easily into a control panel. Optional indicator boards give each safety switch input LED, TFR or volt free contact status indication. The MPX control units are designed to work with the F-Type, B-Type, S-Type, Dinky electronic safety switches and the unique code CMA electronic safety switches.

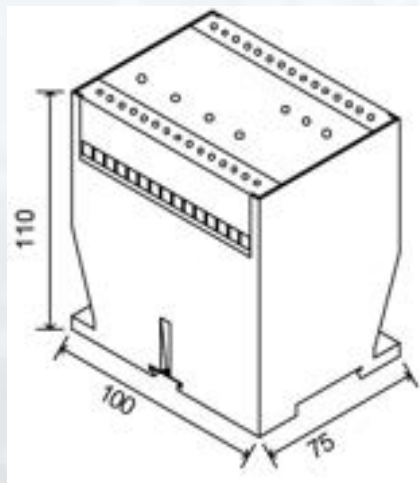
MPX4 DIN Safety Control Unit



- ABS Construction
- DIN Rail mounted
- 1-4 Safety switch inputs
- LED Indication
- 24VDC, 24VAC, 110VAC, 240VAC
- Designed to work with any F-Type or B-type Safety switch

Stock Code	Part Description	Supply
301.000	MPX4/DIN 24VDC SAFETY CONTROL UNIT	DC
301.001	MPX4/DIN 24VAC SAFETY CONTROL UNIT	AC
301.002	MPX4/DIN 110VAC SAFETY CONTROL UNIT	AC
301.003	MPX4/DIN 240VAC SAFETY CONTROL UNIT	AC

Quality Marks:



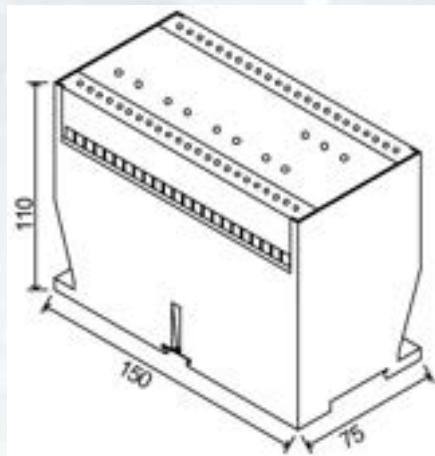
MPX8 DIN Safety Control Unit



- ABS Construction
- DIN Rail mounted
- 5-8 Safety switch inputs
- LED Indication
- 24VDC, 24VAC, 110VAC, 240VAC
- Designed to work with any F-Type or B-type Safety switch

Stock Code	Part Description	Supply
302.000	MPX8/DIN 24VDC SAFETY CONTROL UNIT	DC
302.001	MPX8/DIN 24VAC SAFETY CONTROL UNIT	AC
302.002	MPX8/DIN 110VAC SAFETY CONTROL UNIT	AC
302.003	MPX8/DIN 240VAC SAFETY CONTROL UNIT	AC

Quality Marks:



MPX SAFETY RANGE

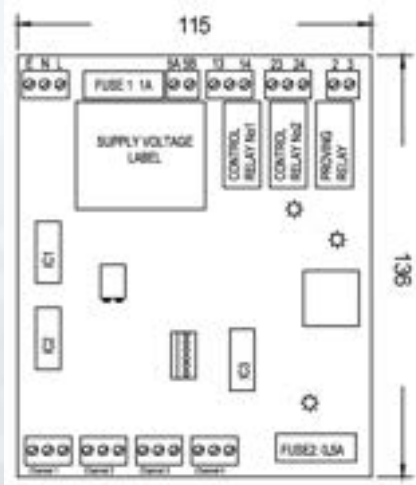
MPX4 Chassis Mounted Safety Control Unit



- PCB board on stainless steel chassis
- 4 x fixing holes
- 2-4 Safety switch inputs
- LED Indication
- 24VDC, 24VAC, 110VAC, 240VAC
- Designed to work with any F-Type or B-type Safety switch

Stock Code	Part Description	Supply
303.000	MPX4 24VDC SAFETY CONTROL UNIT CHASSIS MOUNTED	DC
303.001	MPX4 24VAC SAFETY CONTROL UNIT CHASSIS MOUNTED	AC
303.002	MPX4 110 VAC SAFETY CONTROL UNIT CHASSIS MOUNTED	AC
303.003	MPX4 240VAC SAFETY CONTROL UNIT CHASSIS MOUNTED	AC

Quality Marks:



MPX8 Chassis Mounted Safety Control Unit



- PCB Board on stainless steel chassis
- 4 x fixing holes
- 4-8 Safety switch inputs
- LED Indication
- 24VDC, 24VAC, 110VAC, 240VAC
- Designed to work with any F-Type or B-type Safety switch

Stock Code	Part Description	Supply
304.000	MPX8 24VDC SAFETY CONTROL UNIT CHASSIS MOUNTED	DC
304.001	MPX8 24VAC SAFETY CONTROL UNIT CHASSIS MOUNTED	AC
304.002	MPX8 110VAC SAFETY CONTROL UNIT CHASSIS MOUNTED	AC
304.003	MPX8 240VAC SAFETY CONTROL UNIT CHASSIS MOUNTED	AC

Quality Marks:



MMECHAN CONTROLS

