

NEtec

Product Guide

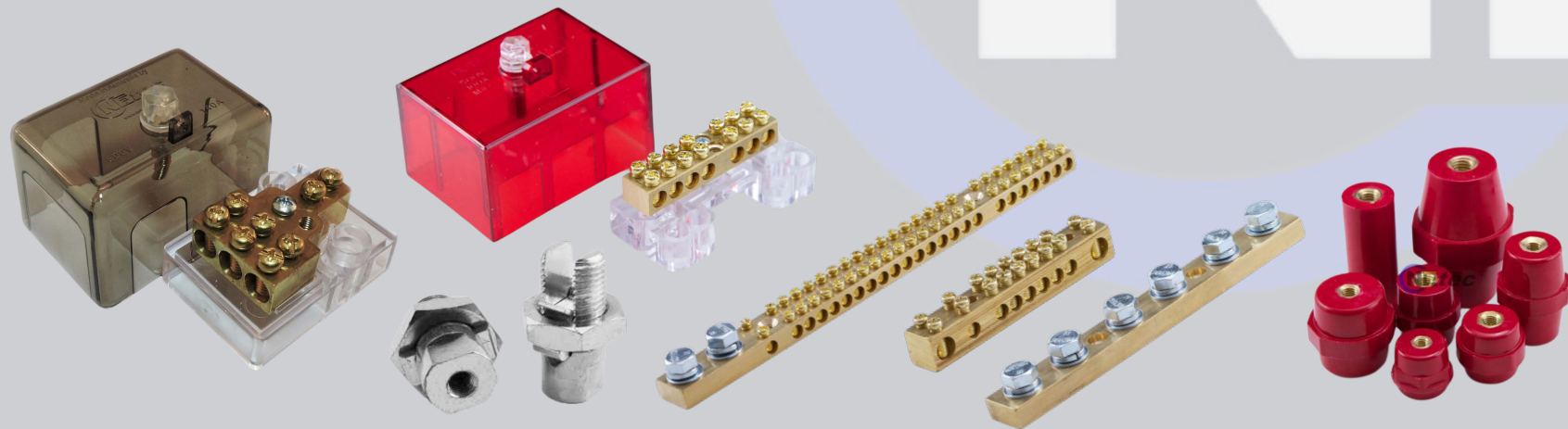




Table of Contents

NB32A Series - 165 Amp Compact Neutral	3	NE53P Series - 140 Amp Link Bars	15
100 Amp Covered Links - Medium	4	NE53P Series - 140 Amp Link Bars	16
AN140T - 140 AMP Links	5	NE62A Series - 300 Amp Compact Bars	17
AN165 - 165 Amp Covered Links	6	NE250A-M Series - 250 Amp Earth	18
AN350 - 350 Amp Covered Links	7	NE250F-H Series - 250 Amp Earth Bar	19
AN400 Series - 400 Amp Covered Links	8	NE250F-P Series - 250 Amp Earth Bar	20
ANMPL - 100 Amp Meter Panel Link - VIC SIR	9	NE400A-P Series - 400 Amp Earth Bar	21
NB32A Series - 165 Amp Compact Neutral	10	NL32F Series - 165 Amp Earth Bar	22
NE22C Series - 90 Amp Link Bars	11	NL34F Series - 165 Amp Earth Bar	23
NE32A Series - 165 Amp Earth Bar	12	NST Series - Stud Only Bars 165, 250 and 400 Amp	24
NE32F Series - 165 Amp Earth Bar	13	Busbar Insulators	25
NE33A Series - 165 Amp Earth Bar	14	Line Taps (Splits Bolts)	27

NEtec NB32A Series - 165 Amp Compact Neutral



Specifications

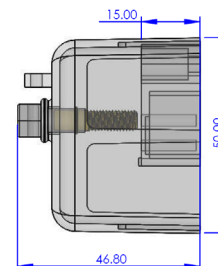
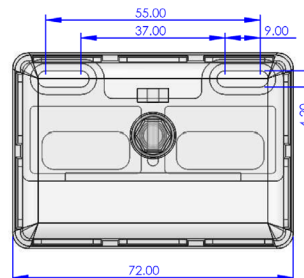
- > Brass rated to 100 Amps
- > All plastics used are 960° Glow Wire Compliant
- > All plastics are UL94-VO Rated
- > ROHS Compliant
- > Available less cover
- > Bar only available
- > Available with black, red or clear covers All bars on clear bases
- > Made to AS/NZS5112-2015



Part				Max. Copper Cable Size / Quantity of Tunnels			Front Wired	Back Wired
	Neutral Black	Active Red	Universal Clear	16mm ²	25mm ²	35mm ²		
AN100S-4HBW- <i>B, R or C</i>	✓	✓	✓		4 x			*
AN100S-5- <i>B, R or C</i>	✓	✓	✓	5 x			*	
AN100S-535- <i>B, R or C</i>	✓	✓	✓	2 x		3 x	*	
AN100S-6- <i>B, R or C</i>	✓	✓	✓	6 x			*	
AN100S-635- <i>B, R or C</i>	✓	✓	✓	5 x		1 x	*	
AN100S-635X2- <i>B, R or C</i>	✓	✓	✓	4 x		2 x	*	
AN100S-7- <i>B, R or C</i>	✓	✓	✓	7 x			*	
AN100S-735- <i>B, R or C</i>	✓	✓	✓	6 x		1 x	*	
AN100S-7BW- <i>B, R or C</i>	✓	✓	✓	4 x		1 x	*	
				2 x				*



AN100S-R20120



NEtec 100 Amp Covered Links - Medium

Specifications

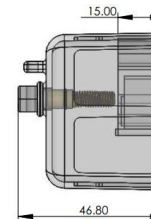
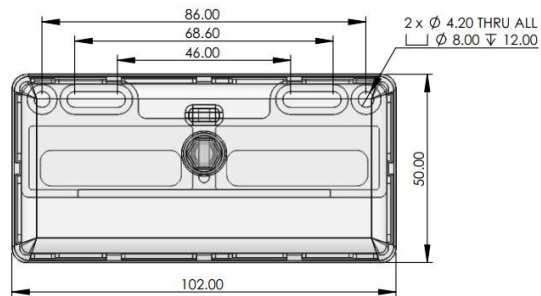
- > Brass rated to 100 Amps
- > All plastics used are 960° Glow Wire Compliant
- > All plastics are UL94-VO rated
- > ROHS compliant
- > Available less cover
- > Bar only available
- > Available with black, red or clear covers All bars on clear bases
- > Made to AS/NZS5112-2015



Part	Cover Colour			Max. Copper Cable Size / Quantity of Tunnels				Front Wired	Back Wired
	Neutral Black	Active Red	Universal Clear	10mm ²	16mm ²	25mm ²	35mm ²		
AN100M-6HBW- B, R or C	✓	✓	✓			6 x			*
AN100M-10- B, R or C	✓	✓	✓		10 x			*	
AN100M-1035- B, R or C	✓	✓	✓		7 x		3 x	*	
AN100M-1335- B, R or C	✓	✓	✓		11 x		2 x	*	
AN100M-18- B, R or C	✓	✓	✓	12x (Compact tunnels)	4 x	2 x		*	



AN100M-R20120



NEtec AN140T - 140 AMP Links

Specifications

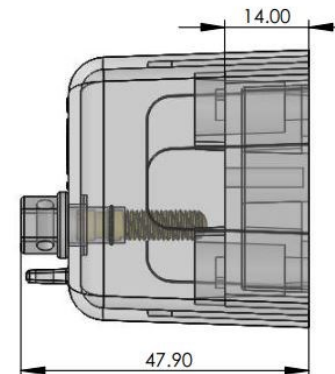
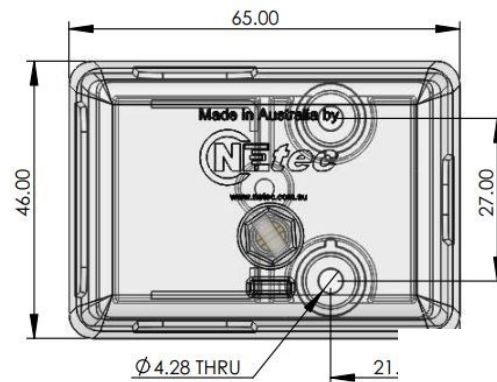
- > Brass rated to 140 Amps
- > All plastics used are 960° glow wire compliant
- > All plastics are UL94-VO rated
- > ROHS compliant
- > Available less cover
- > Bar only available
- > Available with black, red or clear covers All bars on clear bases
- > Made to AS/NZS5112-2015



Part	Cover Colour			Max. Copper Cable Size / Quantity of Tunnels	Front Wired
	Neutral Black	Active Red	Universal Clear		
AN140-4T35- <i>B, R or C</i>	✓	✓	✓	35mm ² 4	*



AN140T-R20120



NETec AN165 - 165 Amp Covered Links

Specifications

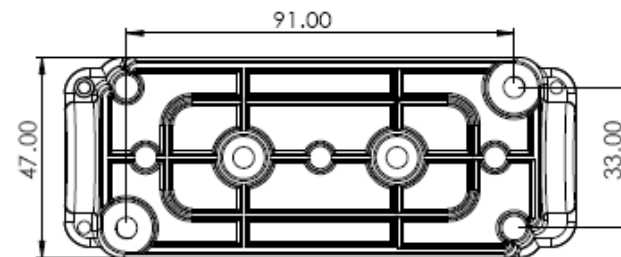
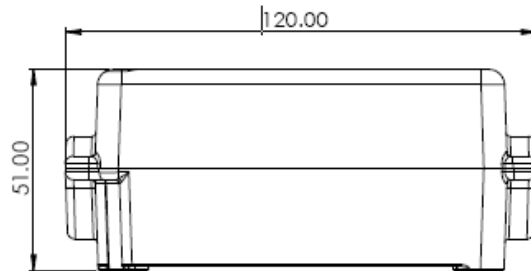
- > Brass section rated to 165 Amps
- > All plastics used are 960° glow wire compliant
- > All plastics are UL94-VO rated
- > ROHS compliant
- > Bar only available
- > Available with black, red or clear cover and base
- > Cover and base are same footprint as AN350 Series
- > Made to AS/NZS5112-2015



Part	Cover Colour			Max. Copper Cable Size / Quantity of Tunnels					Front Wired	Back Wired
	Neutral Black	Active Red	Universal Clear	10mm ²	16mm ²	25mm ²	35mm ²	70mm ²		
AN165-7- <i>B, R or C</i>	✓	✓	✓		2 x	2 x	1x	2 x	*	
AN165-7BW- <i>B, R or C</i>	✓	✓	✓		2 x	2 x	1x	2 x		*
AN165-13- <i>B, R or C</i>	✓	✓	✓	2 x	4 x	4 x	1x	2 x	*	



AN165-R20120



NEtec AN350 - 350 Amp Covered Links

Specifications

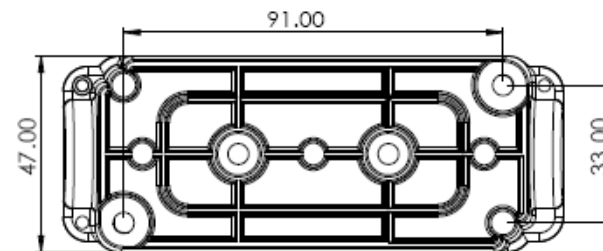
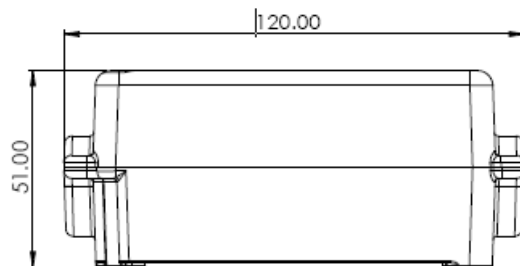
- > Brass section rated to 350 Amps
- > All plastics used are 960° glow wire compliant
- > All plastics are UL94-VO rated
- > ROHS compliant
- > Bar only available
- > Available with Black , Red or Clear Covers
- > Cover and base are same footprint as AN165 Series
- > Made to AS/NZS5112-2015



Part	Cover Colour			Max. Copper Cable Size / Quantity of Tunnels				Front Wired
	Neutral Black	Active Red	Universal Clear	16mm ²	35mm ²	50mm ²	150mm ²	
AN350-4- B, R or C	✓	✓	✓			4 x		*
AN350-7- B, R or C	✓	✓	✓		3 x	2 x	2 x	*
AN350-8- B, R or C	✓	✓	✓			6 x	2 x	*
AN350-13- B, R or C	✓	✓	✓	10 x	1 x		2 x	*



AN350-R20120



NEtec AN400 Series - 400 Amp Covered Links

Specifications

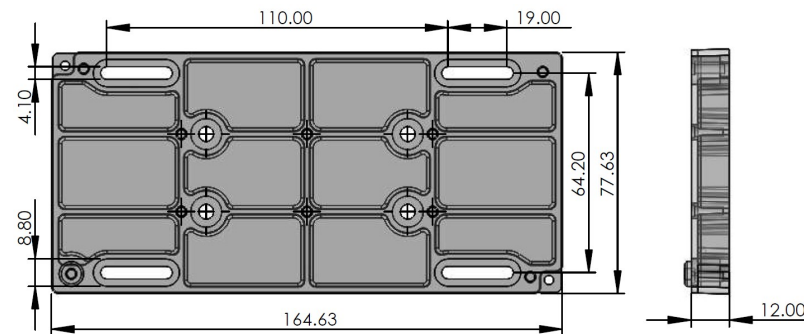
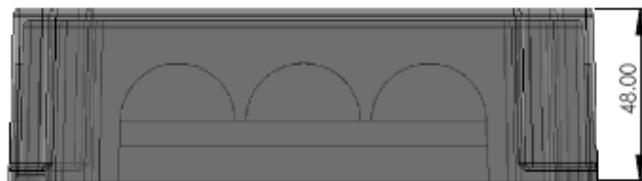
- > 500 Amp when all wire tunnels are > 80% filled.
- 400 Amp in all other cases
- > All plastics used are 960° glow wire compliant
- > All plastics are UL94-V0 rated
- > ROHS compliant
- > Bar only available
- > Available with clear or black cover All bars on clear bases
- > Made to AS/NZS 5112:2015



Part	Cover Colour	Max. Copper Cable Size / Quantity of Tunnels						Front Wired
	Clear	16mm ²	35mm ²	50mm ²	95mm ²	150mm ²	185mm ²	
AN400-4-150-CLR	✓				2 x	2 x		*
AN400-7-185-CLR	✓		3 x	2 x			2 x	*
AN400-13-185-CLR	✓	8 x		3 x			2 x	*



AN400-R20120



NEtec ANMPL - 100 Amp Meter Panel Link - VIC SIR

Specifications

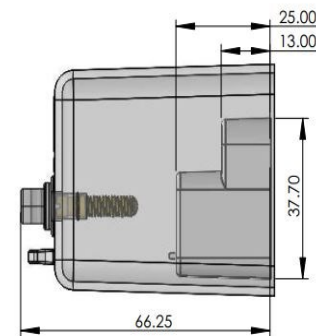
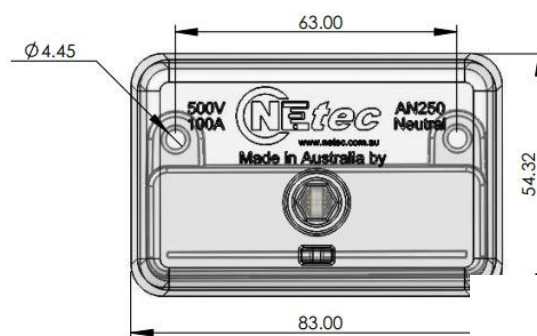
- > All plastics used are 960° glow wire compliant
- > All plastics are UL94-VO rated
- > ROHS compliant
- > Made to AS/NZS 5112:2015 VIC SIR Approved



Part	Cover Colour	Max. Copper Cable Size / Quantity of Tunnels				Back Wired
	Neutral (Black)	16mm ²	25mm ²	50mm ²	35mm ² Clamp Plate	
ANMPL-2-B	*	1 x	1 x	2 x	1 x 35mm ²	*



ANMPL-R20120



NEtec NB32A Series - 165 Amp Compact Neutral



Specifications

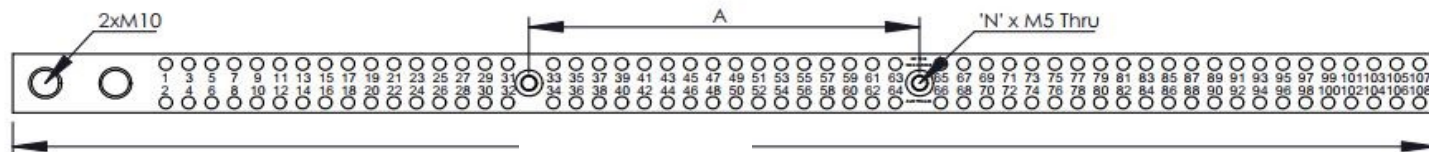
- > Blind tunnels accept up to 16mm² copper cables
- > 1 x screws per tunnel (M5) with No. 1 slotted phillips head
- > 2 x M10 studs (one end)
- > Tapped M5 countersunk mount holes
- > Fitted with insulation feet
- > Odd, even and custom numbering available ROHS compliant
- > Made to AS/NZS 5112:2015



Part	Tunnels / Poles	Bar Length (L)	No. of Mount Holes (N)	Mounting Centres (A)	Numbering
NB32A006X	6	83.5 mm	2	30.0 mm	1 - 6
NB32A012X	12	103.0 mm	2	50.0 mm	1 - 12
NB32A018X	18	185.0 mm	2	50.0 mm	1 - 18
NB32A024X	24	143.0 mm	2	50.0 mm	1 - 24
NB32A030X	30	164.0 mm	2	50.0 mm	1 - 30
NB32A036X	36	185.0 mm	2	120.0 mm	1 - 36
NB32A042X	42	206.0 mm	2	120.0 mm	1 - 42
NB32A048X	48	227.0 mm	2	120.0 mm	1 - 48
NB32A060X	60	269.0 mm	2	120.0 mm	1 - 60
NB32A072X	72	311.0 mm	2	120.0 mm	1 - 72
NB32A084X	84	353.0 mm	2	120.0 mm	1 - 84
NB32A096X	96	395.0 mm	2	120.0 mm	1 - 96
NB32A108X	108	437.0 mm	2	120.0 mm	1 - 108



Quality
ISO 9001
SAI GLOBAL NB32A-R20120



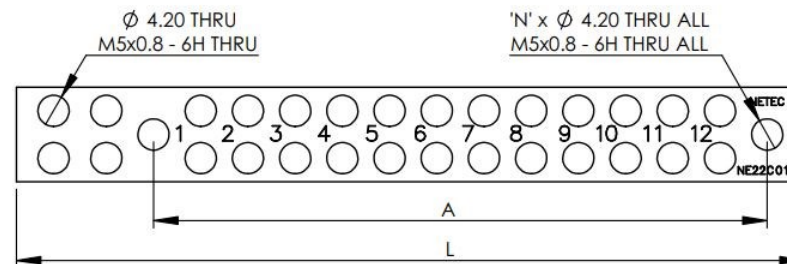
NEtec NE22C Series - 90 Amp Link Bars

Specifications

- > MEN Tunnels: 2 x 16.0 mm² unnumbered
- > 16mm² numbered tunnels as per part in table
- > Tapped M5 mount hole
- > Made to AS/NZS 5112:2015 Insulation feet available
- > Made from extruded brass



Part	Tunnels / Poles	Bar Length (L)	Copper Cable Tunnel Size		No. of Mount Holes (N)	Mounting Centres	Numbering
			16mm ² (Numbered)	MEN Tunnels 16mm ² (Not numbered)		(A)	
NE22C004X	4	54.5 mm	4	2	2	31.75 mm	1 - 4
NE22C006X	6	67.9 mm	6	2	2	44.45 mm	1 - 6
NE22C008X	8	80.6 mm	8	2	2	57.15 mm	1 - 8
NE22C012X	12	106.0 mm	12	2	2	82.55 mm	1 - 12
NE22C018X	18	144.1 mm	18	2	2	120.65 mm	1 - 18
NE22C024X	24	182.2 mm	24	2	2	158.75 mm	1 - 24



NEtec NE32A Series - 165 Amp Earth Bar

Specifications

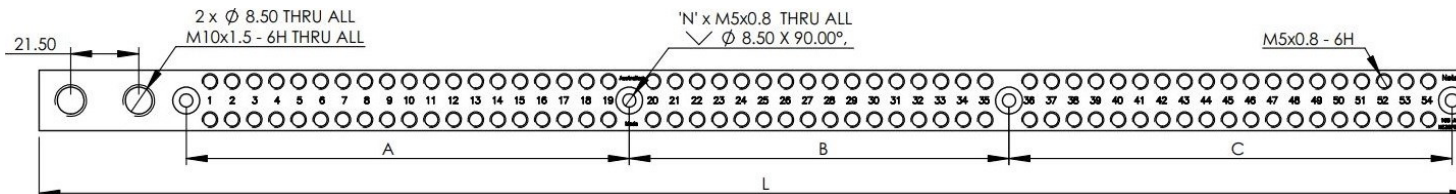
- > All tunnels accept up to 16mm² copper cables
- > 2 x screws per tunnel (M5) with No. 1 slotted Phillips head
- > 2 x M10 studs (one end)
- > Tapped M5 mount holes and countersunk
- > Odd, even and custom numbering available
- > Insulation feet available ROHS compliant
- > Made to AS/NZS 5112:2015



Part	Tunnels / Poles	Bar Length (L)	No. of Mount Holes (N)	Mounting Centres			Numbering
				(A)	(B)	(C)	
NE32A006X	6	103.0 mm	2	50.0 mm	-	-	1 - 6
NE32A012X	12	143.0 mm	2	50.0 mm	-	-	1 - 12
NE32A018X	18	185.0mm	2	120.0 mm	-	-	1 - 18
NE32A024X	24	227.0 mm	2	120.0 mm	-	-	1 - 24
NE32A030X	30	269.0 mm	2	120.0 mm	-	-	1 - 30
NE32A036X	36	311.0 mm	2	120.0 mm	-	-	1 - 36
NE32A042X	42	353.0 mm	2	120.0 mm	-	-	1 - 42
NE32A048X	48	395.0 mm	2	120.0 mm	-	-	1 - 48
NE32A054X	54	453.0 mm	4	140.0 mm	120.0 mm	140.0 mm	1 - 54
NE32A060X	60	493.0 mm	4	140.0 mm	120.0 mm	140.0 mm	1 - 60
NE32A072X	72	577.0 mm	4	140.0 mm	120.0 mm	140.0 mm	1 - 72
NE32A084X	84	661.0 mm	4	140.0 mm	120.0 mm	140.0 mm	1 - 84
NE32A096X	96	745.0 mm	4	140.0 mm	120.0 mm	140.0 mm	1 - 96
NE32A108X	108	829.0 mm	4	140.0 mm	120.0 mm	140.0 mm	1 - 108



NE32A-R20120



NEtec NE32F Series - 165 Amp Earth Bar

Specifications

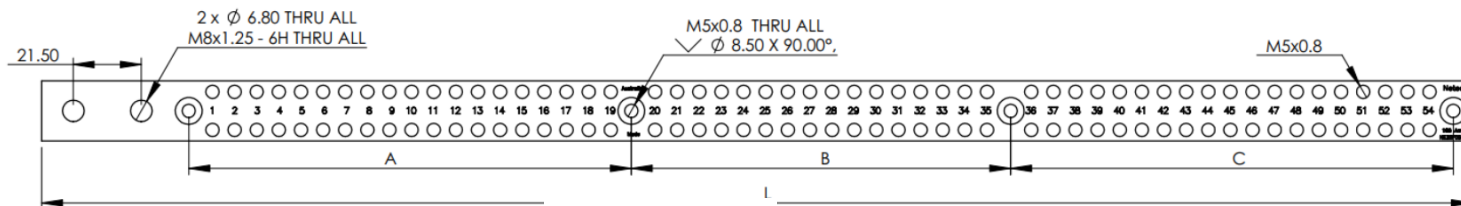
- > All tunnels accept up to 16mm² copper cables
- > 2 x screws per tunnel (M5) with No 1 slotted Phillips head
- > 2 x M8 studs (one end)
- > Tapped M5 mount holes and countersunk
- > 8.8 High tensile studs
- > Odd, even and custom numbering available Insulation feet available
- > ROHS compliant
- > Made to AS/NZS 5112:2015



Part	Tunnels / Poles	Bar Length (L)	No. of Mount Holes (N)	Mounting Centres			Numbering
				(A)	(B)	(C)	
NE32F006X	6	103.0 mm	2	50.0 mm	-	-	1 - 6
NE32F012X	12	143.0 mm	2	50.0 mm	-	-	1 - 12
NE32F018X	18	185.0mm	2	120.0 mm	-	-	1 - 18
NE32F024X	24	227.0 mm	2	120.0 mm	-	-	1 - 24
NE32F030X	30	269.0 mm	2	120.0 mm	-	-	1 - 30
NE32F036X	36	311.0 mm	2	120.0 mm	-	-	1 - 36
NE32F042X	42	353.0 mm	2	120.0 mm	-	-	1 - 42
NE32F048X	48	395.0 mm	2	120.0 mm	-	-	1 - 48
NE32F054X	54	453.0 mm	4	140.0 mm	120.0 mm	140.0 mm	1 - 54
NE32F060X	60	493.0 mm	4	140.0 mm	120.0 mm	140.0 mm	1 - 60
NE32F072X	72	577.0 mm	4	140.0 mm	120.0 mm	140.0 mm	1 - 72
NE32F084X	84	661.0 mm	4	140.0 mm	120.0 mm	140.0 mm	1 - 84
NE32F096X	96	745.0 mm	4	140.0 mm	120.0 mm	140.0 mm	1 - 96
NE32F108X	108	829.0 mm	4	140.0 mm	120.0 mm	140.0 mm	1 - 108



NE32F-R20120



NEtec NE33A Series - 165 Amp Earth Bar

Specifications

- > All tunnels accept up to 16mm² copper cables
- > 2 x screws per tunnel (M5) with No 1 slotted Phillips head
- > 3 x M10 studs (one end)
- > Odd, even and custom numbering available
- > Insulation feet available ROHS compliant
- > Made to AS/NZS 5112:2015

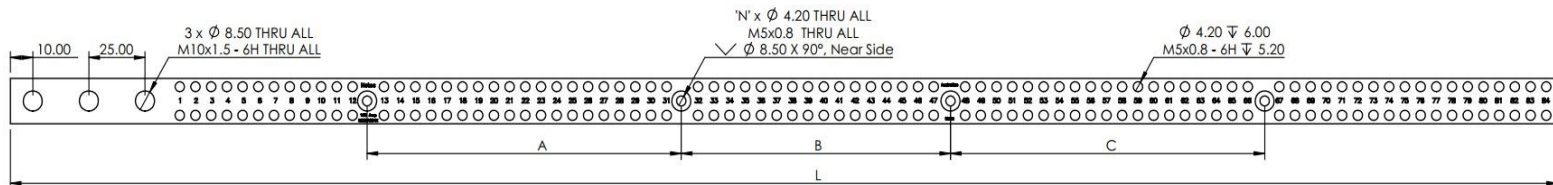


Part	Tunnels / Poles	Bar Length (L)	No. of Mount Holes (N)	Mounting Centres			Numbering
				(A)	(B)	(C)	
NE33A006X	6	131.5 mm	2	50.0 mm	-	-	1 - 6
NE33A012X	12	171.5 mm	2	50.0 mm	-	-	1 - 12
NE33A018X	18	213.5mm	2	120.0 mm	-	-	1 - 18
NE33A024X	24	255.5 mm	2	120.0 mm	-	-	1 - 24
NE33A030X	30	297.5 mm	2	120.0 mm	-	-	1 - 30
NE33A036X	36	339.5 mm	2	120.0 mm	-	-	1 - 36
**NE33A042X	42	381.5 mm	2	120.0 mm	-	-	1 - 42
**NE33A048X	48	423.5 mm	2	120.0 mm	-	-	1 - 48
**NE32A060X	60	521.5 mm	4	140.0 mm	120.0 mm	140.0 mm	1 - 60
**NE32A072X	72	605.5 mm	4	140.0 mm	120.0 mm	140.0 mm	1 - 72
**NE32A084X	84	689.5 mm	4	140.0 mm	120.0 mm	140.0 mm	1 - 84

** Not Stocked



NE33A-R20120



NEtec NE53P Series - 140 Amp Link Bars

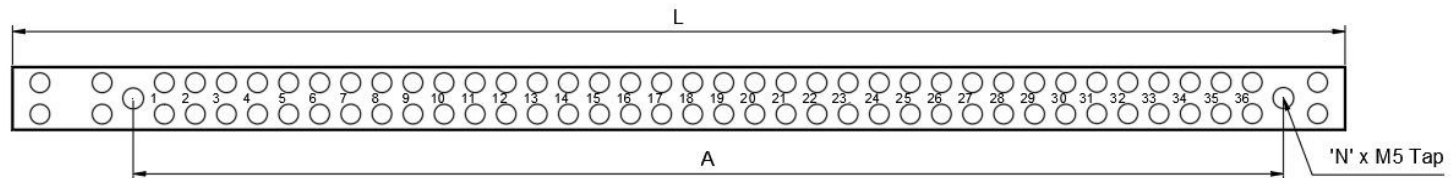
Specifications

- > MEN Tunnels: 1 x 16.0mm² + 1 x 35mm² unnumbered
- > 1 x 35mm² tunnel unnumbered
- > 16mm² numbered tunnels as per part in table

- > Tapped M5 mount hole
- > Made to AS/NZS 5112:2015 Insulation feet available
- > Made from extruded brass



Part	Copper Cable Tunnel Size				Bar Length (L)	No. of Mount Holes (N)	Mounting Centres	Numbering
	Tunnels / Poles 16mm ² (Numbered)	MEN Tunnel 16mm ² (Unnumbered)	MEN Tunnel 35mm ² (Unnumbered)	35mm ² Tunnel (Unnumbered)			(A)	
NE53P004XL	4	1	1	1	69.0 mm	2	31.75 mm	1 - 4
NE53P006XL	6	1	1	1	81.7 mm	2	44.45 mm	1 - 6
NE53P008XL	8	1	1	1	94.4 mm	2	57.15 mm	1 - 8
NE53P012XL	12	1	1	1	119.8 mm	2	82.55 mm	1 - 12
NE53P018XL	18	1	1	1	157.9 mm	2	120.65 mm	1 - 18
NE53P024XL	24	1	1	1	196.0 mm	2	158.75 mm	1 - 24
NE53P030XL	30	1	1	1	234.1 mm	2	196.85 mm	1 - 30
NE53P036XL	36	1	1	1	272.2 mm	2	234.95 mm	1 - 36



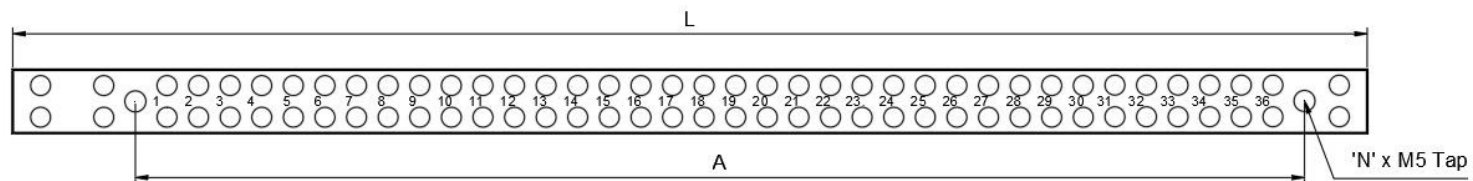
NEtec NE53P Series - 140 Amp Link Bars

Specifications

- > MEN Tunnels: 1 x 16.0mm² + 1 x 35mm² unnumbered
- > 1 x 35mm² tunnel unnumbered
- > 16mm² numbered tunnels as per part in table
- > Tapped M5 mount hole
- > Made to AS/NZS 5112:2015 Insulation feet available
- > Made from extruded brass



Part	Copper Cable Tunnel Size				Bar Length (L)	No. of Mount Holes (N)	Mounting Centres	Numbering
	Tunnels / Poles 16mm ² (Numbered)	MEN Tunnel 16mm ² (Unnumbered)	MEN Tunnel 35mm ² (Unnumbered)	35mm ² Tunnel (Unnumbered)			(A)	
NE53P004XL	4	1	1	1	69.0 mm	2	31.75 mm	1 - 4
NE53P006XL	6	1	1	1	81.7 mm	2	44.45 mm	1 - 6
NE53P008XL	8	1	1	1	94.4 mm	2	57.15 mm	1 - 8
NE53P012XL	12	1	1	1	119.8 mm	2	82.55 mm	1 - 12
NE53P018XL	18	1	1	1	157.9 mm	2	120.65 mm	1 - 18
NE53P024XL	24	1	1	1	196.0 mm	2	158.75 mm	1 - 24
NE53P030XL	30	1	1	1	234.1 mm	2	196.85 mm	1 - 30
NE53P036XL	36	1	1	1	272.2 mm	2	234.95 mm	1 - 36



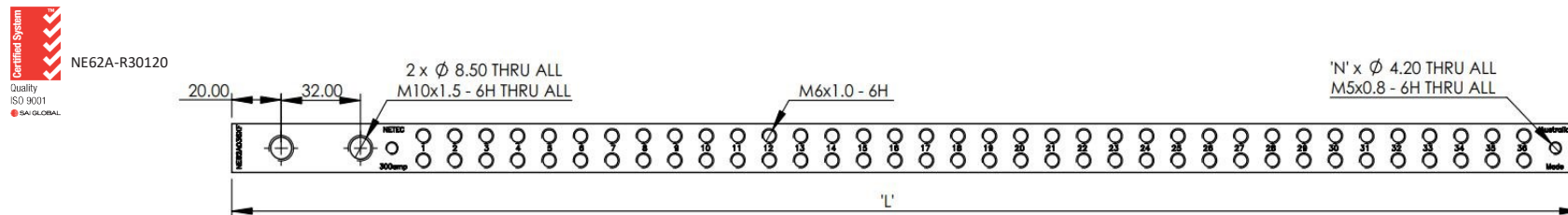
NEtec NE62A Series - 300 Amp Compact Bars

Specifications

- > All tunnels accept up to 50mm² copper cables
- > 2 x screws per tunnel (M6) with No. 2 slotted Phillips head
- > 2 x M10 studs (one end)
- > Comes fitted with insulation feet
- > Odd, even and custom numbering available ROHS compliant
- > Made to AS/NZS 5112:2015



Part	Tunnels / Poles	Bar Length (L)	No. of Mount Holes (N)	Mounting Centres	Numbering
NE62A006XF	6	163.6 mm	2	88.9 mm	1 - 6
NE62A012XF	12	239.8 mm	2	165.1 mm	1 - 12
NE62A018XF	18	316.0 mm	2	241.3 mm	1 - 18
NE62A024XF	24	392.2 mm	2	317.5 mm	1 - 24
NE62A036XF	36	544.6 mm	2	469.9 mm	1 - 36



NEtec NE250A-M Series - 250 Amp Earth

Specifications

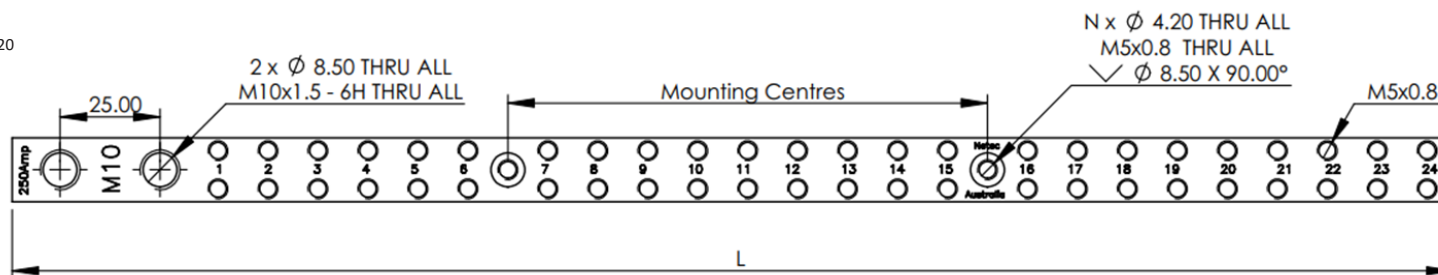
- > All tunnels accept up to 35mm² copper cables
- > 2 x screws per tunnel (M5) with No 1 slotted Phillips head
- > 2 x M10 studs (one end)
- > Tapped M5 mount holes and countersunk
- > Made to AS/NZS 5112:2015
- > Insulation feet available



Part	Tunnels / Poles	Bar Length (L)	No. of Mount Holes (N)	Mounting Centres	Numbering
NE250A-M006X	6	139.5 mm	2	50.0 mm	1 - 6
NE250A-M012X	12	209.5 mm	2	120.0 mm	1 - 12
NE250A-M018X	18	285.5 mm	2	120.0 mm	1 - 18
NE250A-M024X	24	360.5 mm	2	120.0 mm	1 - 24
NE250A-M036X	36	510.5 mm	2	120.0 mm	1 - 36



NE250AM-R20120



NEtec NE250F-H Series - 250 Amp Earth Bar

Specifications

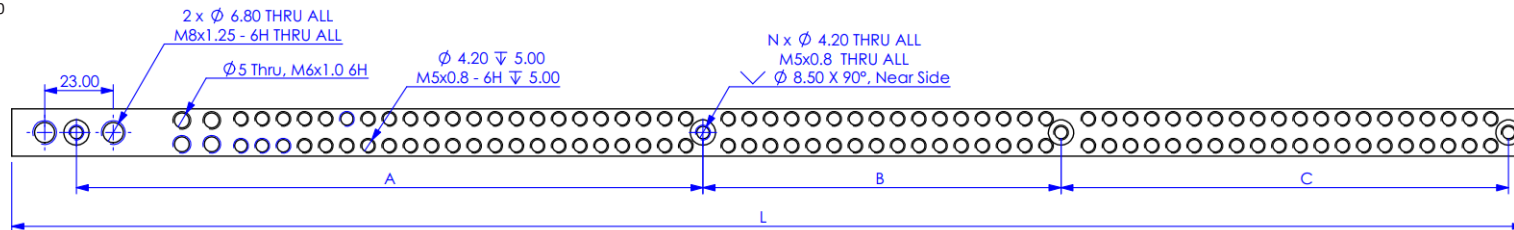
- > All tunnels accept up to 25mm² copper cables
- > 2 x screws per tunnel (M5) with No 1 slotted Phillips head
- > 2 x M8 studs (one end)
- > Tapped M5 countersunk mount holes
- > 8.8 high tensile studs
- > Made to AS/NZS 5112:2015
- > Insulation feet available



Part	Tunnels / Poles	Bar Length (L)	No. of Mount Holes	Mounting Centres			Numbering
				(A)	(B)	(C)	
NE250F-H006X	6	122.0 mm	2	50.0 mm	-	-	1 - 6
NE250F-H012X	12	174.0 mm	2	120.0 mm	-	-	1 - 12
NE250F-H018X	18	231.5 mm	2	120.0 mm	-	-	1 - 18
NE250F-H024X	24	288.5 mm	2	120.0 mm	-	-	1 - 24
NE250F-H036X	36	402.5 mm	2	120.0 mm	-	-	1 - 36
NE250F-H048X	48	528.5 mm	4	140.0 mm	120.0 mm	140.0 mm	1 - 48
NE250F-H060X	60	642.5 mm	4	140.0 mm	120.0 mm	140.0 mm	1 - 60
NE250F-H072X	72	757.0 mm	4	140.0 mm	120.0 mm	140.0 mm	1 - 72



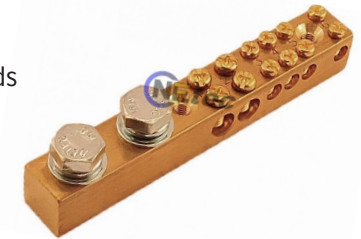
NE250FH-R20120



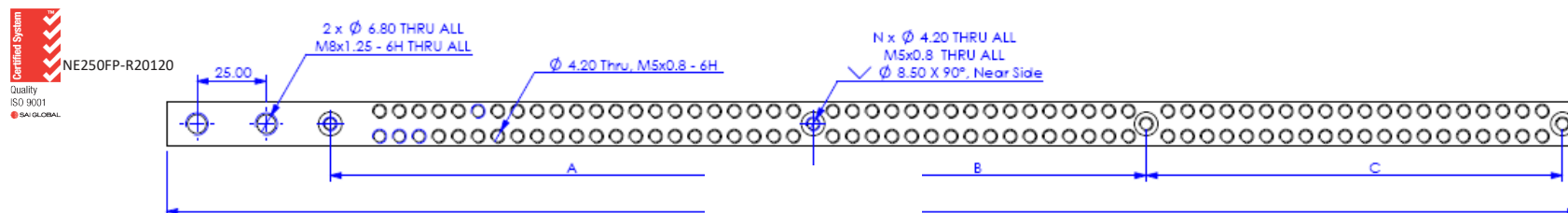
NEtec NE250F-P Series - 250 Amp Earth Bar

Specifications

- > Combination 35mm² and 16mm² Copper Cable tunnels (see table for tunnel sizes)
- > 2 x screws per tunnel
- > Screws – combination of M5 and M6 with No 1 and No 2 slotted Phillips head
- > 2 x M8 Studs (One End)
- > Tapped M5 mount holes and countersunk 8.8 High tensile studs
- > Made to AS/NZS 5112:2015
- > Insulation feet available
- > Odd, even and custom numbering available



Part	Tunnels / Poles	Bar Length (L)	Copper Cable Tunnel Size		No. of Mount Holes (N)	Mounting Centres			Numbering
			35mm ² (M6)	16mm ² (M5)		(A)	(B)	(C)	
NE250F-P006X	6	109.5 mm	2	4	2	50.0 mm	-	-	1 - 6
NE250F-P012X	12	152.5 mm	2	10	2	120.0 mm	-	-	1 - 12
NE250F-P018X	18	197.0 mm	2	16	2	120.0 mm	-	-	1 - 18
NE250F-P024X	24	237.5 mm	2	22	2	120.0 mm	-	-	1 - 24
NE250F-P030X	30	280.0 mm	2	28	2	120.0 mm	-	-	1 - 30
NE250F-P036X	36	328.0 mm	2	34	2	120.0 mm	-	-	1 - 36
NE250F-P042X	42	370.5 mm	4	38	2	120.0 mm	-	-	1 - 42
NE250F-P048X	48	413.0 mm	4	44	2	120.0 mm	-	-	1 - 48
NE250F-P060X	60	508.5 mm	4	56	4	210.0 mm	120.0 mm	150.0 mm	1 - 60
NE250F-P072X	72	591.5 mm	4	68	4	210.0 mm	120.0 mm	150.0 mm	1 - 72
NE250F-P084X	84	676.7 mm	4	82	4	210.0 mm	120.0 mm	150.0 mm	1 - 84
NE250F-P096X	96	762.0 mm	4	92	4	210.0 mm	120.0 mm	150.0 mm	1 - 96



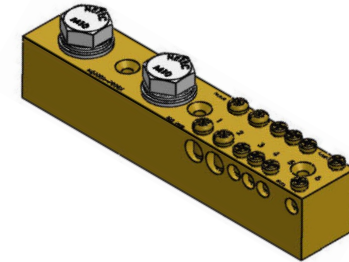
NE250FP-R20120



NEtec NE400A-P Series - 400 Amp Earth Bar

Specifications

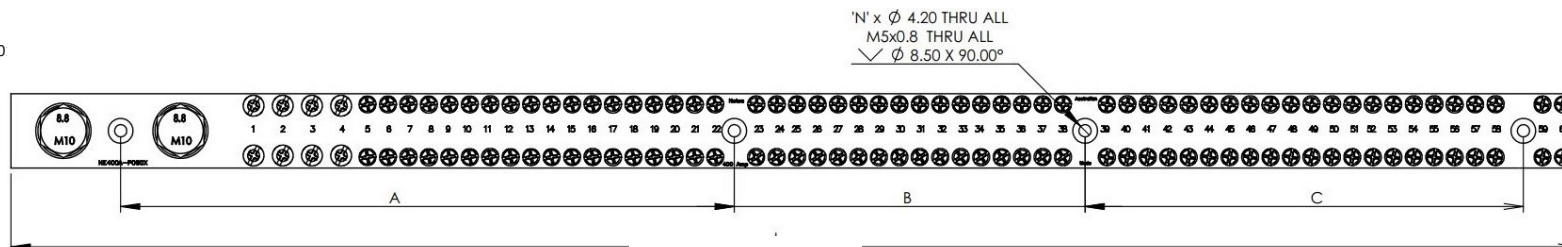
- > Combination 35mm² and 16mm² Copper Cable Tunnels (see table for tunnel sizes)
- > 2 x M10 Studs (One End)
- > Stud spacing centre to centre 40mm
- > Tapped M5 mount holes and countersunk
- > All markings are laser engraved
- > Insulation feet available (Part No. *INSF-M5S*)
- > Odd, even and custom numbering available
- > Made to AS/NZS 5112:2015



Part	Tunnels / Poles	Bar Length (mm) (L)	No. of Tunnels		No. of Mount Holes (N)	Mounting Hole Pitch (mm)			Numbering
			35mm ² (M6)	16mm ² (M5)		(A)	(B)	(C)	
NE400A-P006X	6	135.3	2	4	3	35.0	50.0	-	1 - 6
NE400A-P012X	12	177.3	2	10	3	35.0	50.0	-	1 - 12
NE400A-P018X	18	219.3	2	16	3	35.0	120.0	-	1 - 18
NE400A-P024X	24	269.0	2	22	3	64.0	120.0	-	1 - 24
NE400A-P036X	36	358.0	2	34	3	120.0	120.0	-	1 - 36
NE400A-P042X	42	400.0	4	38	3	120.0	120.0	-	1 - 42
NE400A-P048X	48	442.0	4	44	3	120.0	120.0	-	1 - 48
NE400A-P060X	60	536.0	4	56	4	210.0	120.0	150.0	1 - 60
NE400A-P072X	72	620.0	4	68	4	210.0	120.0	150.0	1 - 72
NE400A-P084X	84	704.0	4	80	4	210.0	120.0	150.0	1 - 84
NE400A-P096X	96	788.0	4	92	4	210.0	120.0	150.0	1 - 96



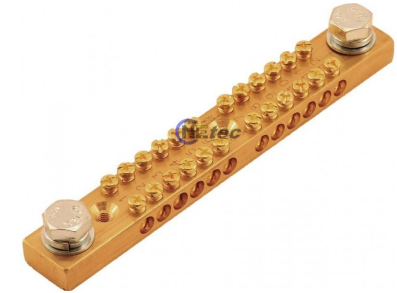
NE400AP-R20



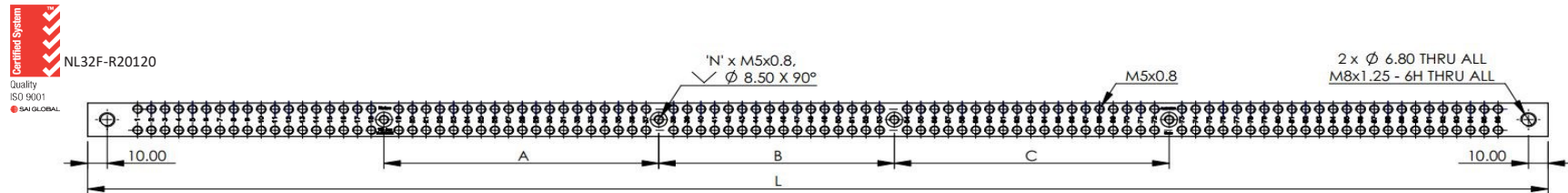
NEtec NL32F Series - 165 Amp Earth Bar

Specifications

- > All tunnels accept up to 16mm² copper cables
- > 2 x Screws per tunnel (M5) with No 1 slotted Phillips head
- > 2 x M8 Studs (1 x each end)
- > 8.8 High tensile studs
- > Tapped M5 mount holes and countersunk
- > ROHS Compliant
- > Insulation feet available Made to AS/NZS 5112:2015



Part	Tunnels / Poles	Bar Length (L)	No. of Mount Holes (N)	Mounting Centres			Numbering
				(A)	(B)	(C)	
NL32F012X	12	142.0 mm	2	50.0 mm	-	-	1 - 12
NL32F018X	18	184.0 mm	2	120.0 mm	-	-	1 - 18
NL32F024X	24	226.0 mm	2	120.0 mm	-	-	1 - 24
NL32F030X	30	268.0 mm	2	120.0 mm	-	-	1 - 30
NL32F036X	36	310.0 mm	2	120.0 mm	-	-	1 - 36
NL32F042X	42	352.0 mm	2	120.0 mm	-	-	1 - 42
NL32F048X	48	394.0 mm	2	120.0 mm	-	-	1 - 48
NL32F060X	60	492.0 mm	4	140.0 mm	120.0 mm	140.0 mm	1 - 60
NL32F072X	72	576.0 mm	4	140.0 mm	120.0 mm	140.0 mm	1 - 72
NL32F084X	84	660.0 mm	4	140.0 mm	120.0 mm	140.0 mm	1 - 84
NL32F096X	96	744.0 mm	4	140.0 mm	120.0 mm	140.0 mm	1 - 96



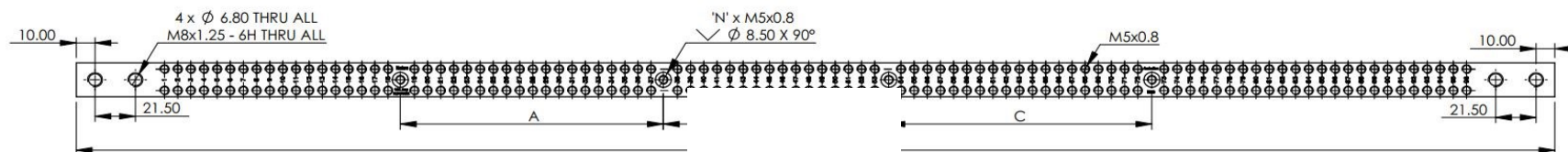
NEtec NL34F Series - 165 Amp Earth Bar

Specifications

- > All tunnels accept up to 16mm² copper cables
- > 2 x screws per tunnel (M5) with No 1 slotted Phillips head
- > 4 x M8 studs (2 x each end)
- > 8.8 High Tensile Studs
- > Trapped M5 mount holes and countersunk
- > Insulation Feet available
- > ROHS compliant
- > Made to AS/NZS 5112:2015



Part	Tunnels / Poles	Bar Length (L)	No. of Mount Holes (N)	Mounting Centres			Numbering
				(A)	(B)	(C)	
NL34F012X	12	185.0 mm	2	50.0 mm	-	-	1 - 12
NL34F018X	18	227.0 mm	2	120.0 mm	-	-	1 - 18
NL34F024X	24	269.0 mm	2	120.0 mm	-	-	1 - 24
NL34F030X	30	311.0 mm	2	120.0 mm	-	-	1 - 30
NL34F036X	36	353.0 mm	2	120.0 mm	-	-	1 - 36
NL34F042X	42	395.0 mm	2	120.0 mm	-	-	1 - 42
NL34F048X	48	437.0 mm	2	120.0 mm	-	-	1 - 48
NL34F060X	60	535.0 mm	4	140.0 mm	120.0 mm	140.0 mm	1 - 60
NL34F072X	72	619.0 mm	4	140.0 mm	120.0 mm	140.0 mm	1 - 72
NL34F084X	84	703.0 mm	4	140.0 mm	120.0 mm	140.0 mm	1 - 84
NL34F096X	96	787.0 mm	4	140.0 mm	120.0 mm	140.0 mm	1 - 96



NETec NST Series - Stud Only Bars 165, 250 and 400 Amp

Specifications

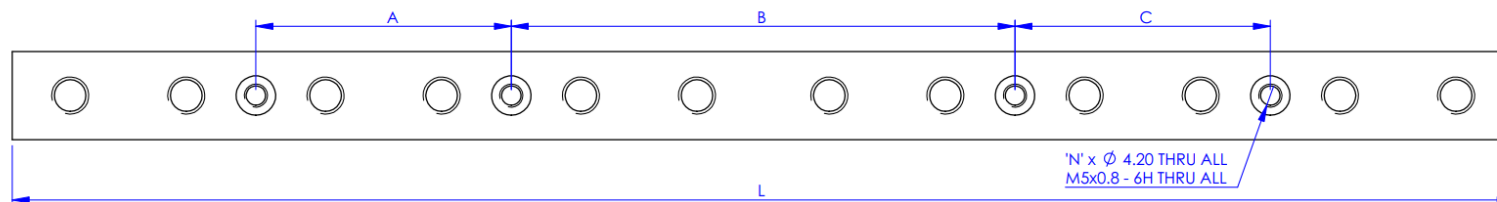
- > Mount feet Included on some models
- > 8.8 High tensile studs fitted
- > Tapped M5 mount holes
- > Fitted with flat and spring washers
- > Extruded brass only used
- > Made to Australian Standards



Part	Current Rating (Amp)	Bar Length "L" (mm)	Studs		No. of Mount Holes (N)	Insulation Feet Fitted	Mount Hole Pitch (mm)		
			Number of Studs	Stud Size (High Tensile 8.8)			(A)	(B)	(C)
NST-06A-F	165	137.0	6	M10	2	✓	92.0	-	-
NST-06F	165	160.0	6	M8	2	X	55.0	-	-
NST-12F	165	323.5	12	M8	4	X	55.0	108.5	55.0
NST-30F	165	960.0	30	M8	7	X	128.0 (typ)		
NST250-06A-F	250	225.0	6	M10	7	✓	35.0 (typ)		
NST250-12A-F	250	435.5	12	M10	13	✓	35.0 (typ)		
NST400-06A	400	240.0	6	M10	5	X	40.0 (typ)		
NST400-12A	400	480.0	12	M10	11	X	40.0 (typ)		



NST-R20

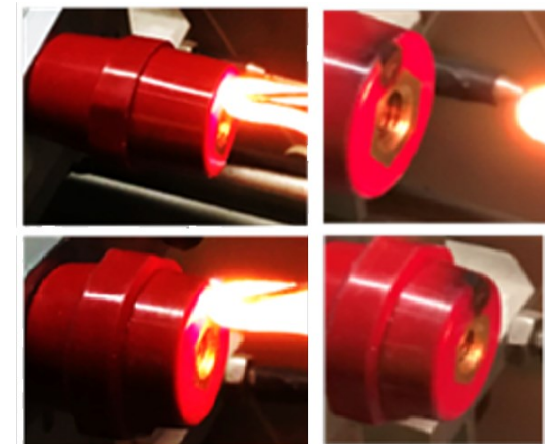




Specifications

- > Brass Hexagonal Threaded Inserts -deeper grooves for firmer bonding to insulators
- > Glass reinforced polyester
- > Insulators comply to Glow Wire Test 960° C

Material		Glass Reinforced Polyester
Specific Gravity		1.8 - 1.9
Tensile Strength	(Kgs)	400 – 425
Compression Strength	(Kgs/cm ²)	1100 – 1250
Flexural Strength	(Kgs/cm ²)	700
Impact Strength	(Kgs/cm ²)	18-22
Breakdown Voltage	(kV/mm)	11
Arc Resistance	(Seconds)	180
Track Resistance	(Volts)	1000
Water Absorption	(Percentage)	<0.2
Surface Resistivity Log 10 Ohms	(cm)	12
Volume Resistivity Log 10 Ohms	(cm)	13



960° Glow Wire Testing

NEtec Busbar Insulators

Part	Brass Thread Size	Height (H)	Width Flats (W)	Max. Width (P)	Diameter (ØMin)	Brass Insert Depth (TD)	Maximum Torque	Drawing
SM-25-M5	M5	25.0mm	27.0mm	30.0mm	24.0mm	8.00mm	7.0Nm	Fig.1
SM-25-M6	M6	25.0mm	27.0mm	30.0mm	24.0mm	9.0mm	7.0Nm	Fig.1
SM-30-M8	M8	30.0mm	33.0mm	35.0mm	28.0mm	10.0mm	27.0Nm	Fig.1
SM-30-M10	M10	30.0mm	33.0mm	35.0mm	28.0mm	10.0mm	27.0Nm	Fig.1
SM-35-M8	M8	35.0mm	33.0mm	35.0mm	28.0mm	10.0mm	27.0Nm	Fig.1
SM-35-M10	M10	35.0mm	34.0mm	35.0mm	28.0mm	10.0mm	27.0Nm	Fig.1
SM-40-M8	M8	40.0mm	40.0mm	42.0mm	34.0mm	10.0mm	27.0Nm	Fig.1
SM-40-M10	M10	40.0mm	40.0mm	42.0mm	32.0mm	10.0mm	27.0Nm	Fig.1
SM-51-M8	M8	51.0mm	36.0mm	38.0mm	30.0mm	15.0mm	27.0Nm	Fig.1
SM-51-M10	M10	51.0mm	36.0mm	38.0mm	30.0mm	17.0mm	27.0Nm	Fig.1
SM-51-M12	M12	51.0mm	36.0mm	38.0mm	30.0mm	16.0mm	27.0Nm	Fig.1
SM-63-M10	M10	63.0mm	No Flats	26.0mm	26.0mm	17.0mm	27.0Nm	Fig.1
SM-76-M8	M8	76.0mm	48.0mm	51.0mm	34.0mm	15.0mm	27.0Nm	Fig.1
SM-76-M10	M10	76.0mm	48.0mm	51.0mm	34.0mm	16.0mm	27.0Nm	Fig.1
SM-76-M12	M12	76.0mm	51.0mm	55.0mm	34.0mm	15.0mm	27.0Nm	Fig.1

Fig 1

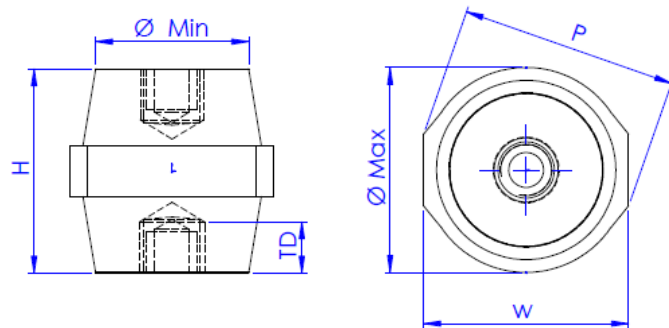
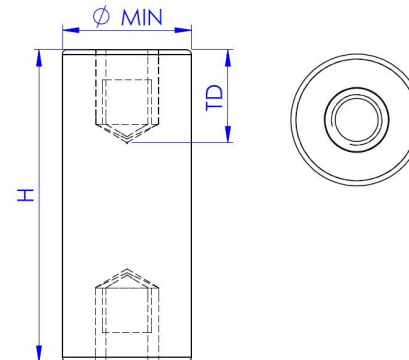


Fig 2



Netec Line Taps (Splits Bolts)



Netec offers a range of precision manufactured Line Taps.

Both series offered are made from High Tensile Brass and machined on precision computer controlled CNC centres.

All Components are made from Brass Extrusion (not Brass Casting).

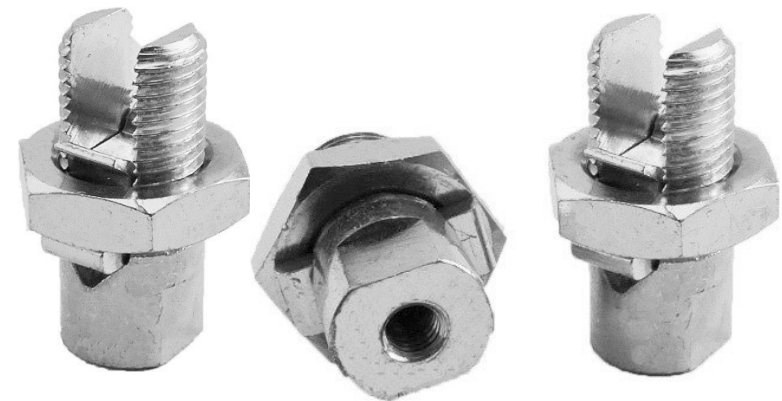
All Line Taps have a combined plating mix of Nickel and Tin. The combined mix has a high durability and withstands oxidation better than just Tin. Our “DT series“ are tapped and drilled to allow an M6 screw to be fixed through a mounting surface.

Line Taps - High Tensile Brass

Part	Maximum Cable Size	Mount Hole Size
BLT-22	16mm ²	N/A
BLT-24	35mm ²	N/A
BLT-25	70mm ²	N/A
BLT-26	95mm ²	N/A
BLT-28	185mm ²	N/A
BLT-22-DT	16mm ²	M6 Tapped
BLT-24-DT	35mm ²	M6 Tapped
BLT-25-DT	70mm ²	M6 Tapped
BLT-26-DT	95mm ²	M6 Tapped
BLT-28-DT	185mm ²	M6 Tapped

Specifications

- > Material: High Tensile Brass
- > Plating : Nickel / Tin
- > M6 Tapped base Line Taps available (BLT-xx-DT)
- > All components made from Brass extrusion (not cast)
- > RoHS Compliant



BLT-24



iDrives
POWERED BY  COLTERLEC™

For more information
Call 0800 367 229 |
sales@colterlec.co.nz |
www.colterlec.co.nz